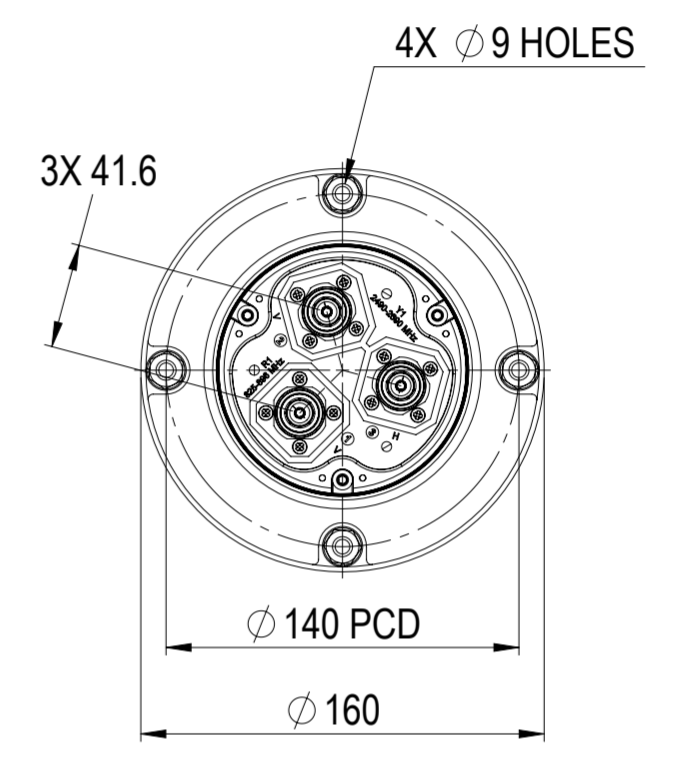
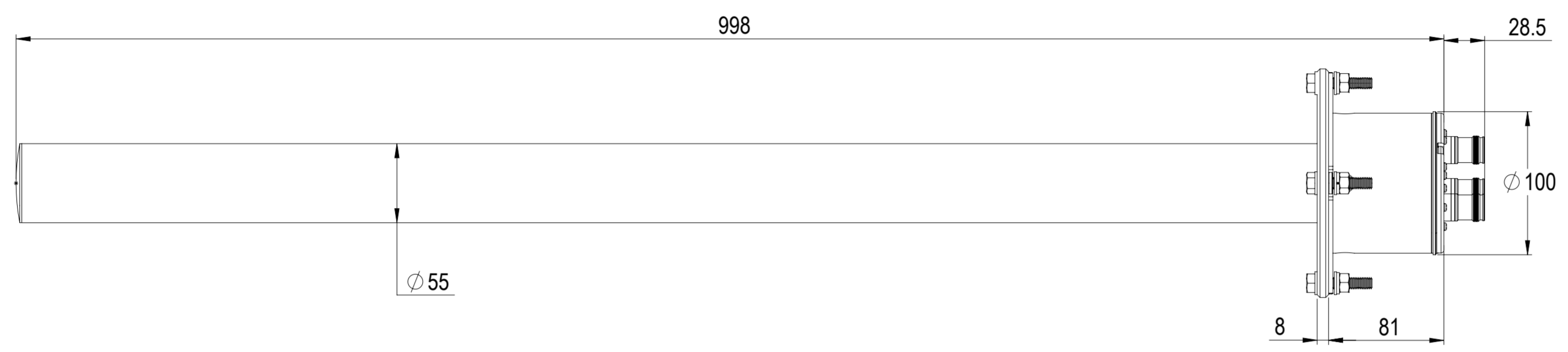


REVISIONS			
REV.	DESCRIPTION	DATE	APPROVED
A	ECR 8000023752: REL TO PRODUCTION PER EAO 604245.	08JUL17 CN	AP/NH



NT-360M-F

COMMSCOPE, INC. OF NORTH CAROLINA

TOLERANCES		SAP MATERIAL MASTER	
0 PLACE X ±	2 PLACE .XX ±		
1 PLACE .X ±	ANGLES ±		
FINISH		MATERIAL	

UNLESS OTHERWISE SPECIFIED DIMENSIONS ARE IN MILLIMETERS INTERPRET PER ISO STANDARDS HANDBOOK TECHNICAL DRAWINGS VOLUMES 1 & 2, THIRD EDITION (2002)	NAME	DATE	PRODUCT DRAWING SCALE: 1:3 DOCUMENT NO. NT-360M-F-L
	CE CN	08/01/2017	
	RW NC1020	08/14/2017	
	RV AP1018	08/15/2017	
	AD ZH1011	08/16/2017	
RE ZHHCHEN	08/16/2017		
ECN 8000023752-O			

DENSITY	g/mm ³
MASS	grams
VOLUME	mm ³
SURFACE AREA	mm ²

HEIGHT	
LENGTH	
WIDTH	

SIZE	WORK AREA	23	MODEL	DRAWING			SHEET
A2		VERSION	STATUS	REVISION	VERSION	STATUS	REVISION
		00	RE	A	00	RE	A