

8

7

6

5

4

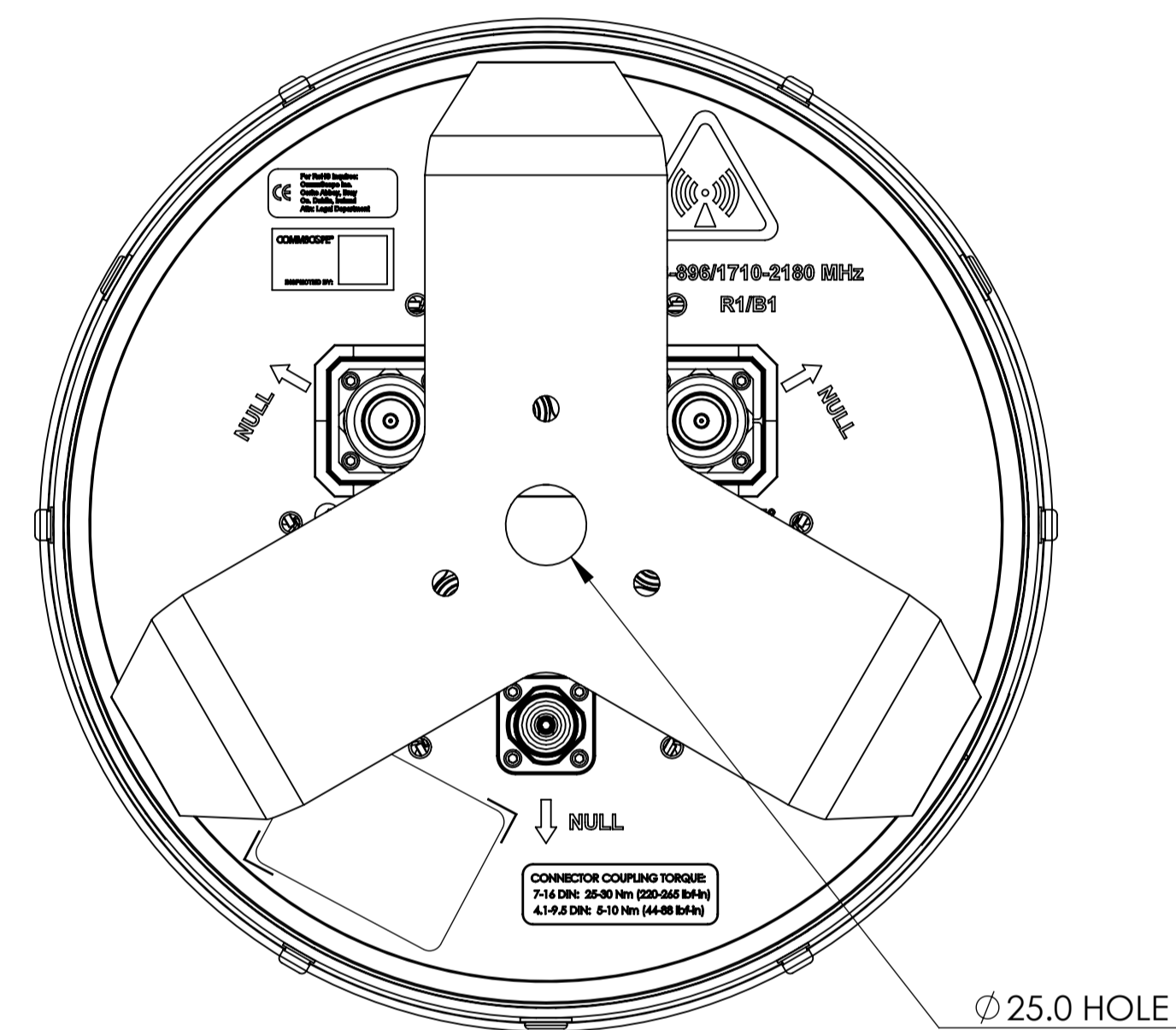
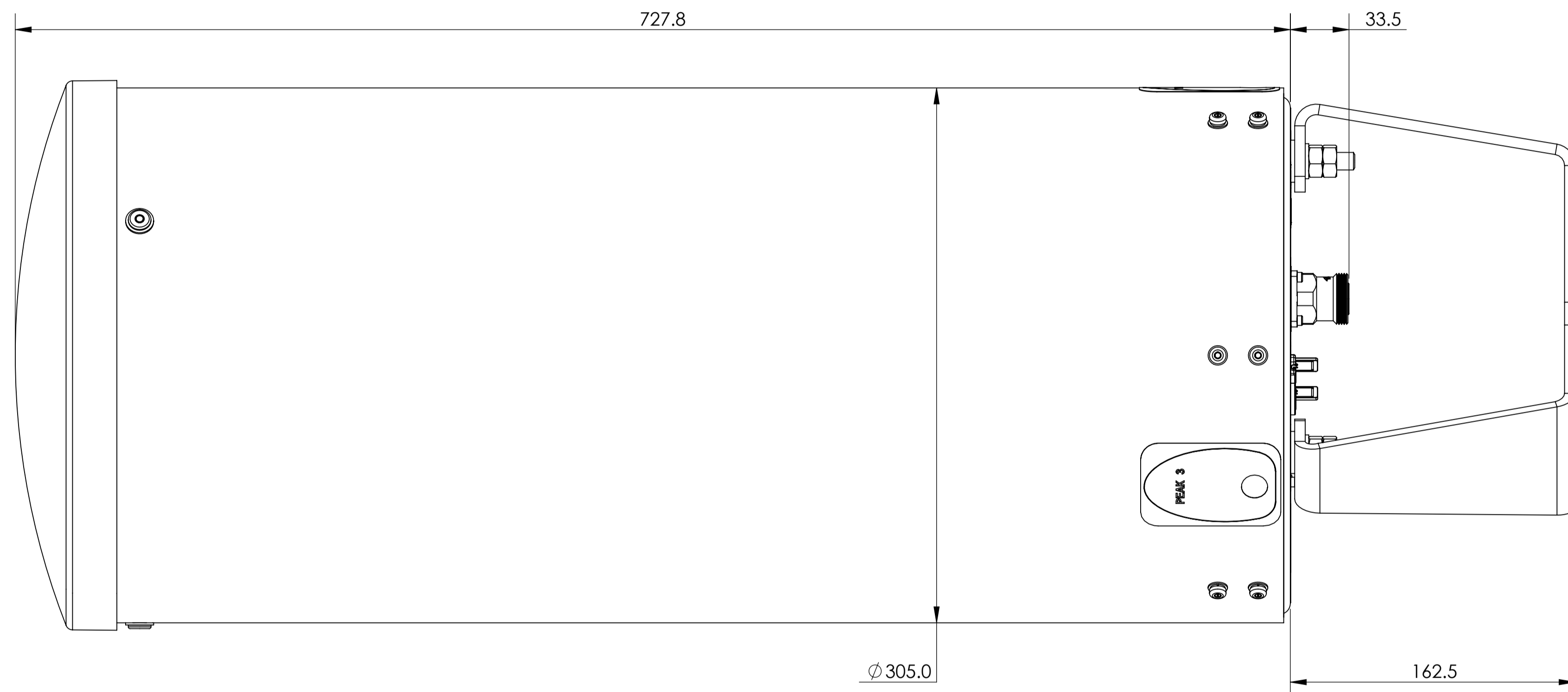
3

2

1

NOTES:

REVISIONS			
REV	DESCRIPTION	DATE	APPROVED
A	ECR 800000910: RELEASE PER EAO 600881.	12MAY14 THD	HHCHEN/JUFYU
D	ECR 8000006770: UPDATE DRAWING.	03FEB15 THD	HHCHEN/JUFYU
E	ECR 8000007754: UPDATE DRAWING PER BRACKET CHANGED.	12MAY15 THD	HHCHEN/JUFYU
F	ECR 8000008389: UPDATE DRAWING WITH LATEST MODEL.	11JUN15 ZW	S.LIU/JIHE
G	ECR 8000014208: UPDATE DRAWING WITH LATEST MODEL.	25MAY16 XHX	S.LIU/JIHE



NH360QS-DG-F0M

THIRD ANGLE PROJECTION

THIRD ANGLE PROJECTION

MATERIAL N/A	DENSITY: MASS:	UNLESS OTHERWISE SPECIFIED DIMENSIONS ARE IN MILLIMETERS INTERPRET PER ISO STANDARDS HANDBOOK, TECHNICAL DRAWINGS, VOLUMES 1 & 2, THIRD EDITION (2002)	WESTCHESTER, IL. 60154 U.S.A.	
FINISH N/A	TOLERANCES 0 PLACE X± 1 PLACE .X± 2 PLACE .XX± ANGLES ± ALL SURFACES ✓	THIRD ANGLE PROJECTION		PRODUCT DRAWING
		DRAWN BY THD ECN 8000014208-O	SIZE A1	CAGE CODE 84147
NOTICE: These drawings and specifications are the proprietary property of ANDREW CORPORATION and may be used only for the specific purpose authorized in writing by Andrew.		VERSION 07	STATUS RE	REVISION H
		VERSION 06	STATUS RE	REVISION G
		DRAWING 1 OF 1		SHEET 1 OF 1

8

7

6

3

2

1