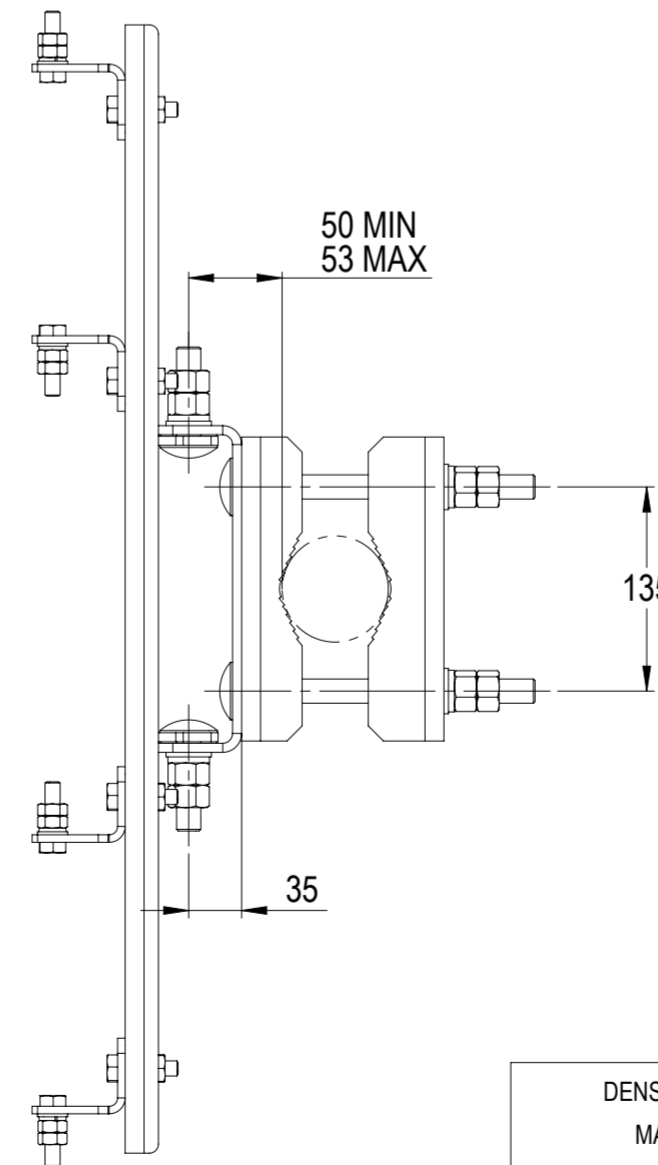
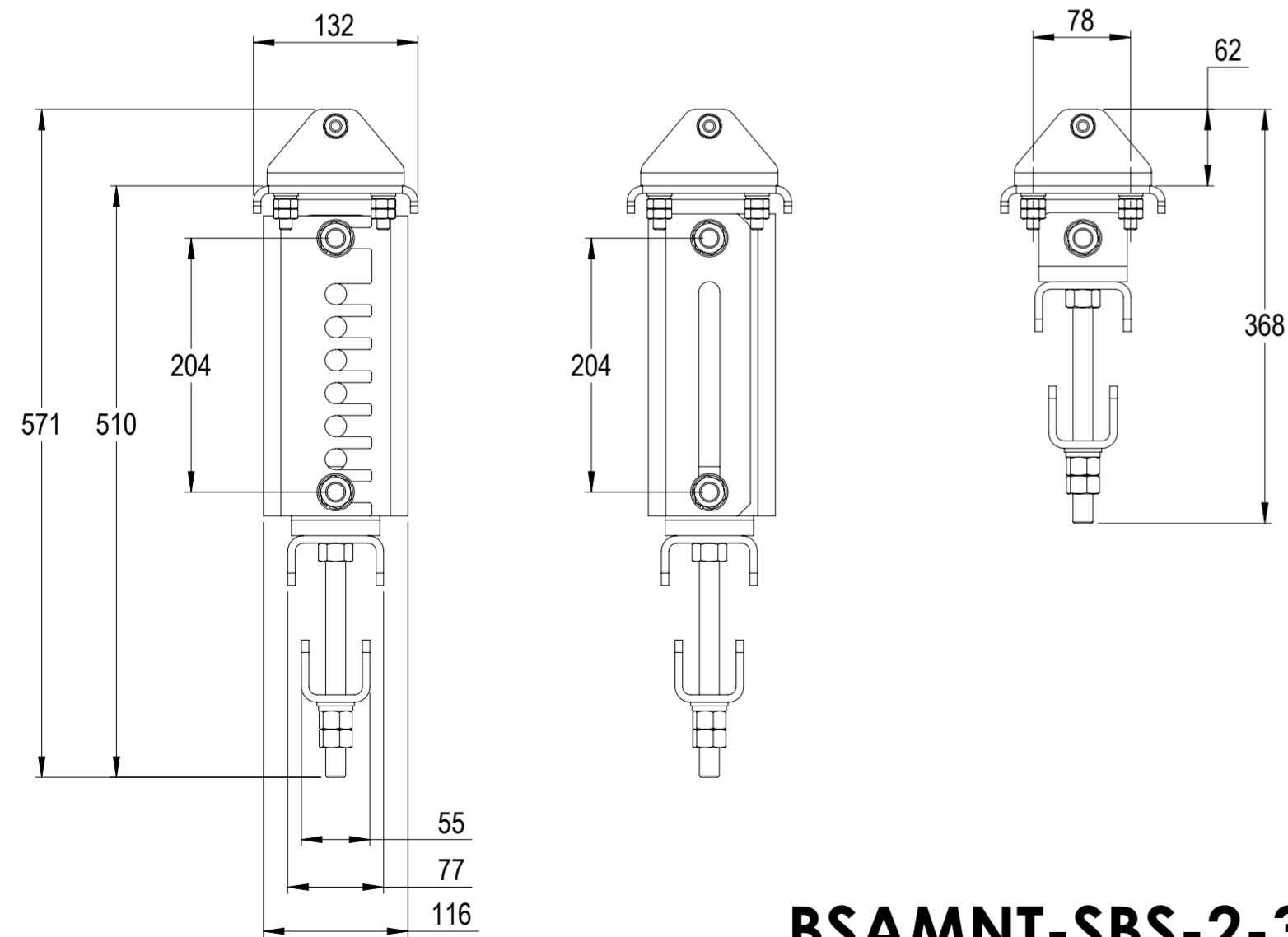
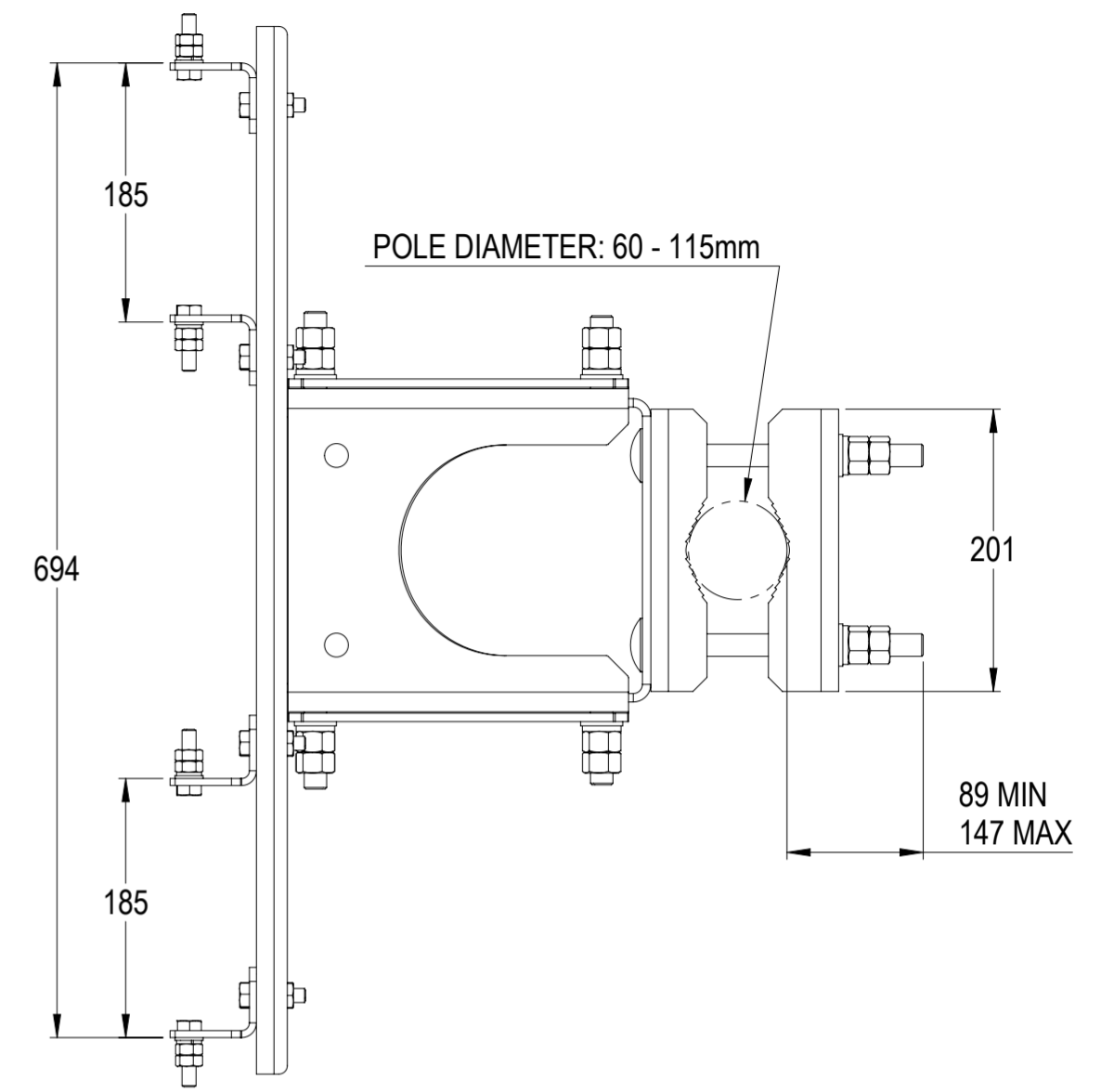
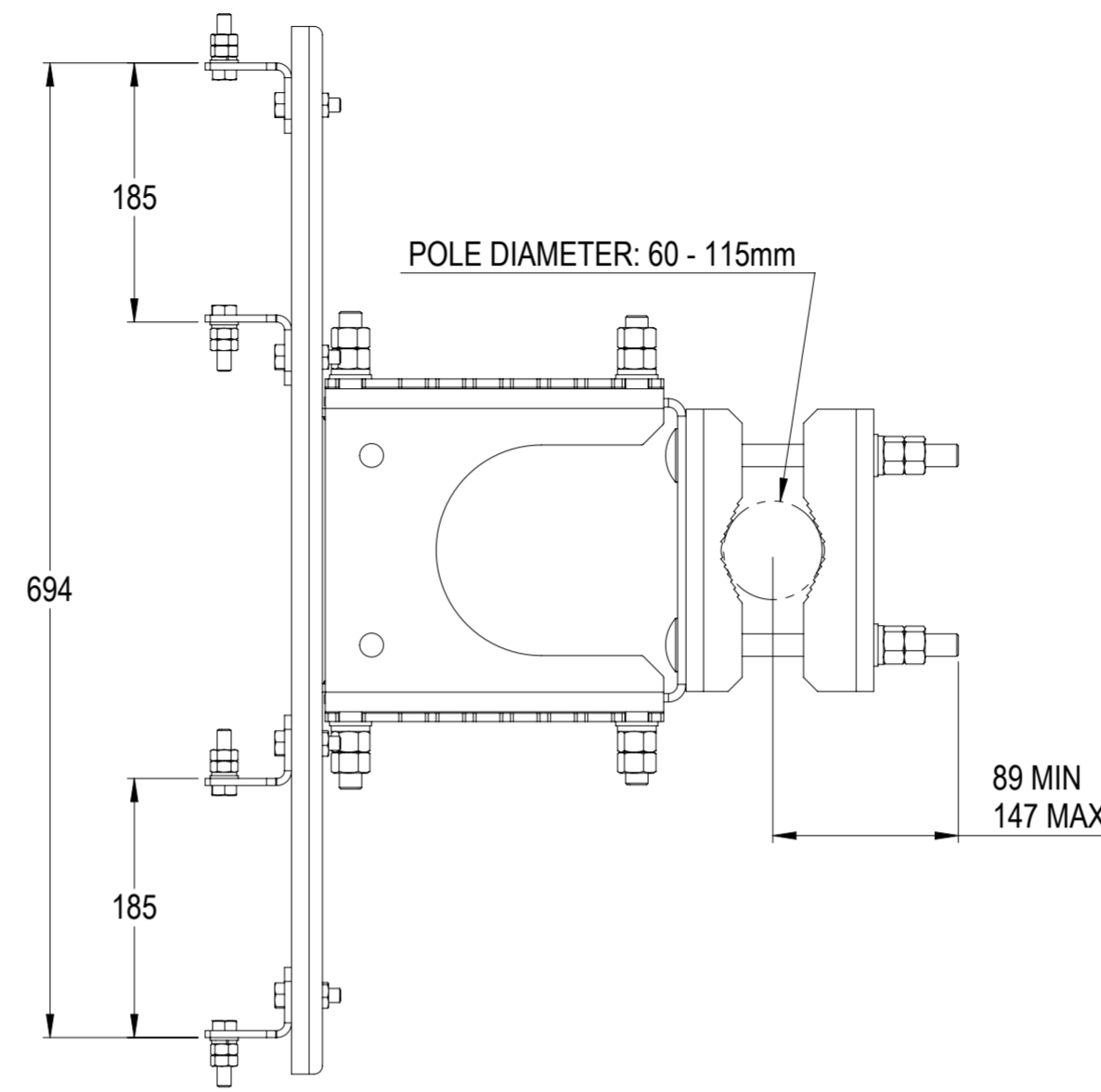
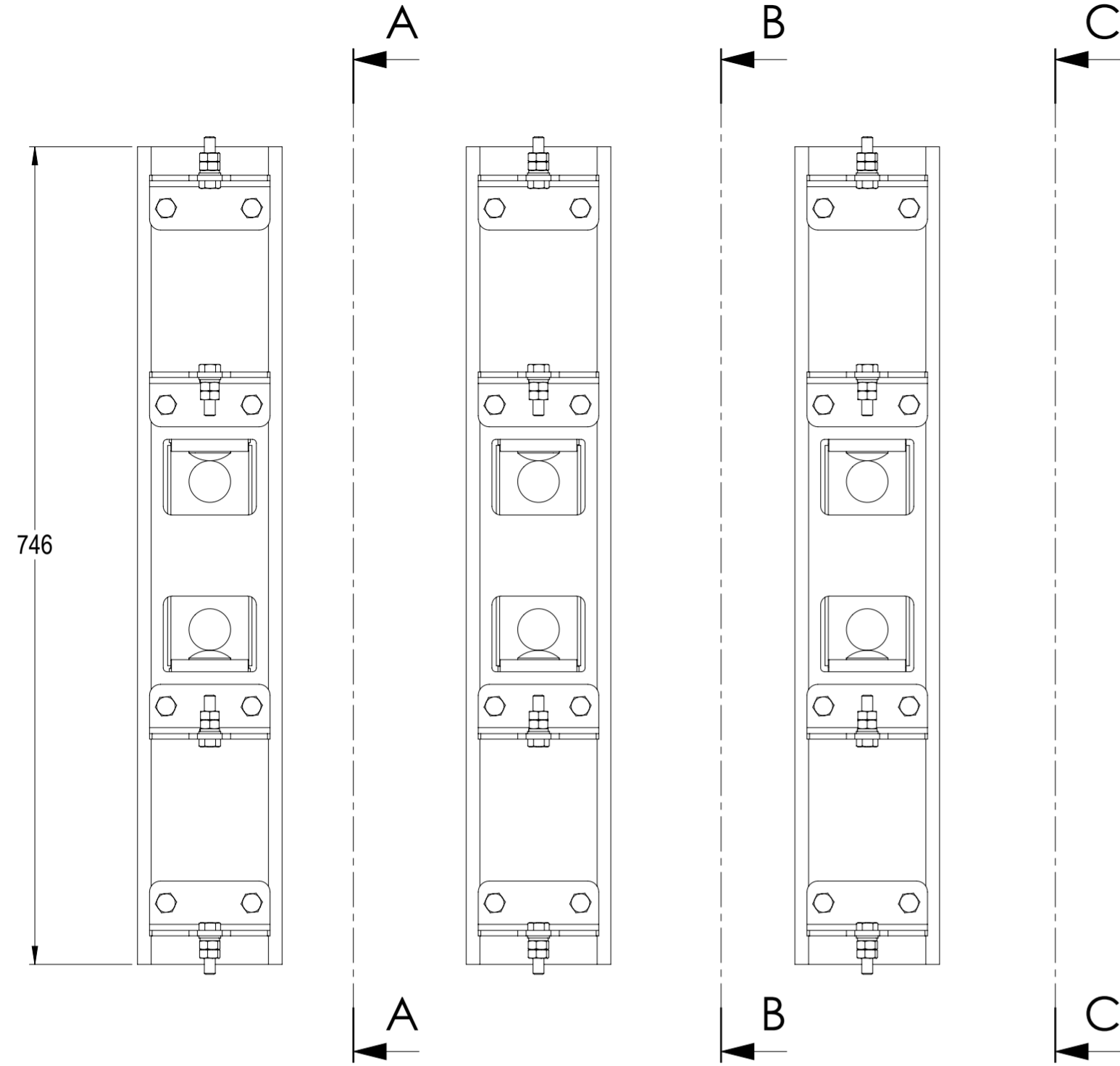


NOTES:

REVISIONS			
REV.	DESCRIPTION	DATE	APPROVED
A	ECR 8000019124: REL TO PRODUCTION PER EAO 603742.	01MAR17 ZHW	ZY.LU/J.LIU



# BSAMNT-SBS-2-3

DENSITY	g/mm <sup>3</sup>
MASS	grams
VOLUME	mm <sup>3</sup>
SURFACE AREA	mm <sup>2</sup>
HEIGHT	
LENGTH	
WIDTH	

**COMMScope, INC. OF NORTH CAROLINA**

TOLERANCES: 0 PLACE X ±, 1 PLACE .X ±, 2 PLACE .XX ±, ANGLES ±

SAP MATERIAL MASTER

FINISH: N/A, MATERIAL: N/A

NAME	DATE	TITLE
CE ZHW	03/01/2017	<b>PRODUCT DRAWING</b>
RW HZ1014	03/02/2017	
RV ZL1023	03/02/2017	
AD JL1139	03/02/2017	
RE BYUAN	03/02/2017	

ECN 8000019124-O

SCALE: 1:5, DOCUMENT NO: **BSAMNT-SBS-2-3-L**

SIZE	WORK AREA	23	MODEL			DRAWING			SHEET
A2	VERSION	STATUS	REVISION	VERSION	STATUS	REVISION	REVISION	1 OF 1	
	00	RE	A	00	RE	A			