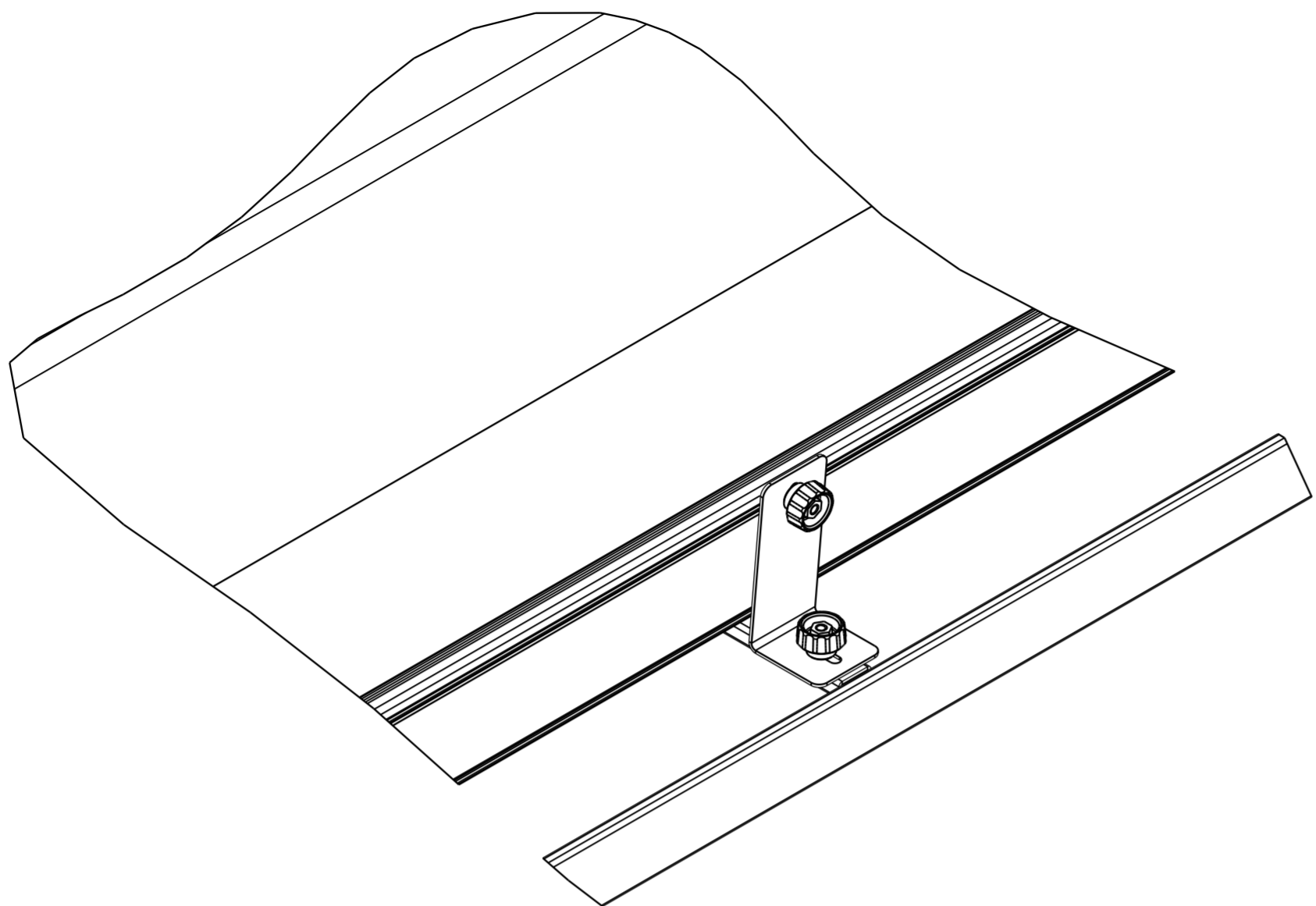
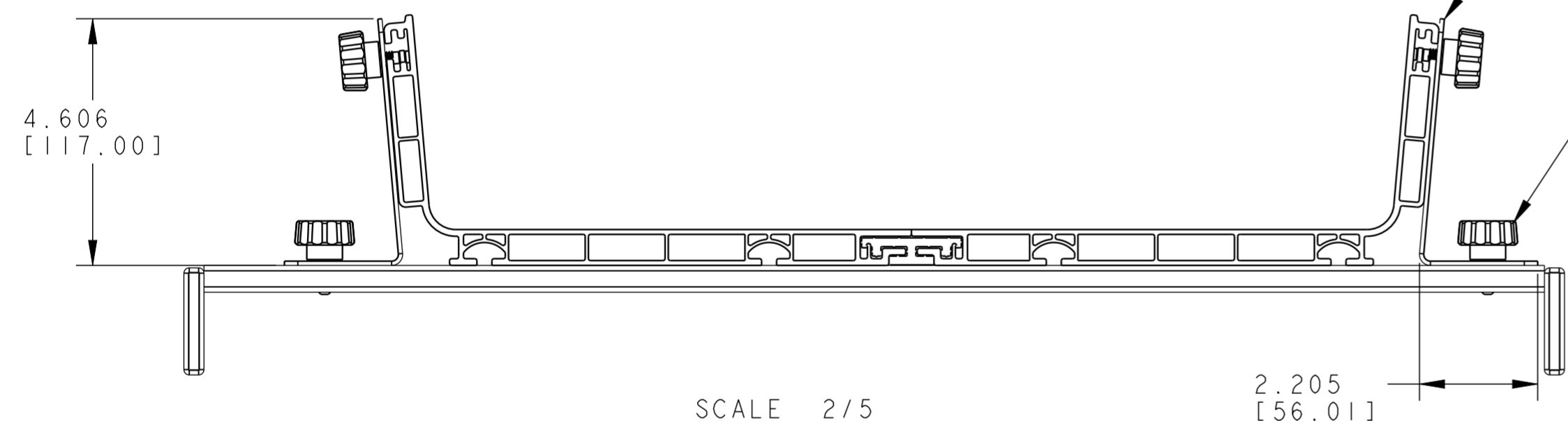


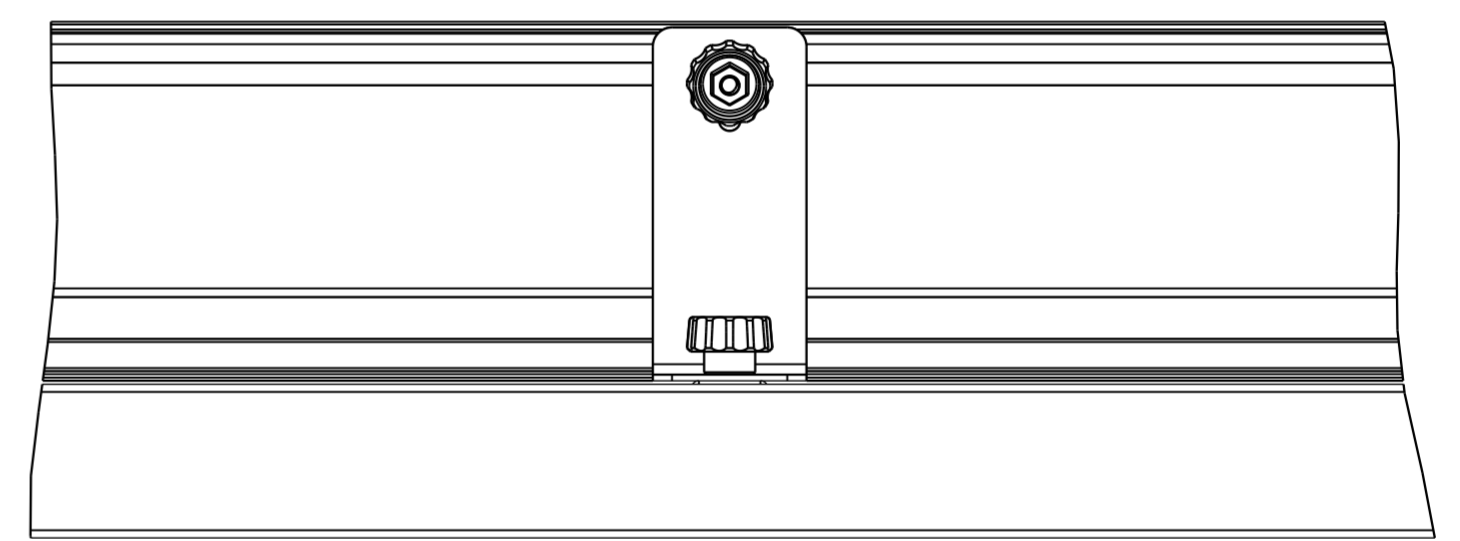
REVISIONS			
REV	DESCRIPTION	DATE	APPROVED
	PROTO	23-JUL-18	RAT



SCALE 3/10



SCALE 2/5



NOTES:

- 1. KIT INCLUDES THE FOLLOWING:
- (4) "L" BRACKET
- (8) QUICK KNOB ASSEMBLY

COMMSCOPE, INC.										
TOLERANCES					SAP MATERIAL MASTER					
SEE TABLE										
FINISH					MATERIAL					
SYMBOLY AGREES WITH ASME Y14.5M - 2009. ALL SHEETS ARE THE SAME REVISION AND STATUS.	DRAFTER			RUBEN ARVILLA		TITLE				
	CHECKER					INSTT DWG L ANGLE BRCKT,				
	ENGINEER			RUBEN ARVILLA						
	CMO			PROTO		SIZE	SCALE	DOCUMENT NO.		
					A2	3/80	LANGLEBRCKT			
ALL SURFACES		WORK AREA:			MODEL			DRAWING		SHEET
										1 OF 1
✓					VERSION	STATUS	REVISION	VERSION	STATUS	REVISION

© 2018 CommScope, Inc. Confidential
 NOTICE: These drawings and specifications are the proprietary property of COMMSCOPE, INC. and may be used only for the specific purpose authorized in writing by COMMSCOPE, INC.