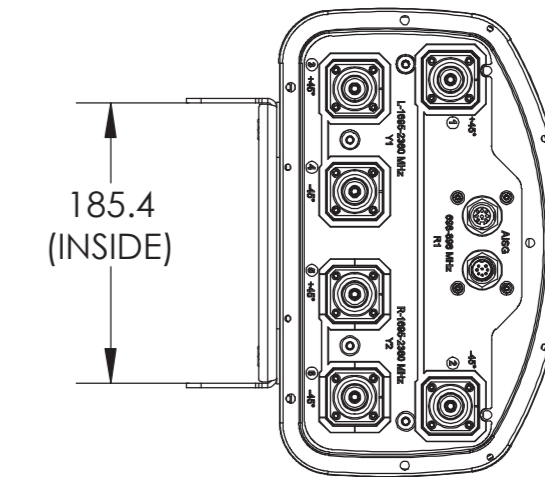
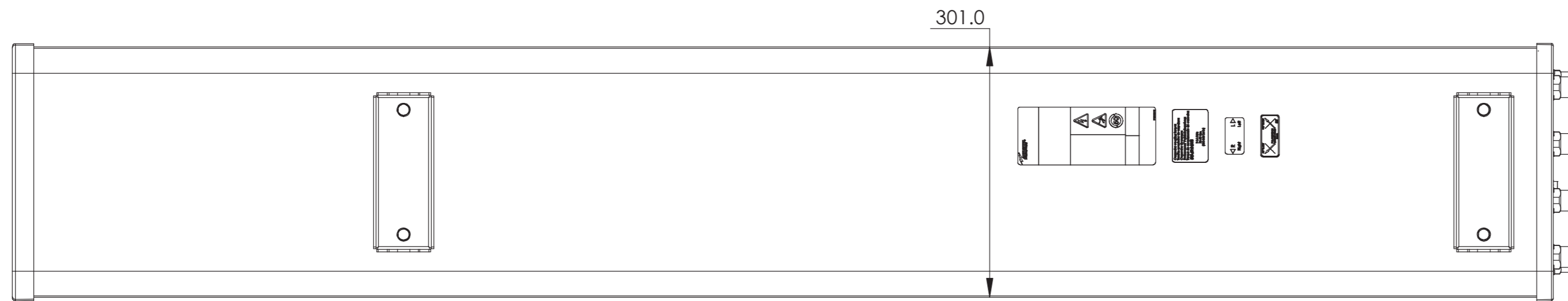
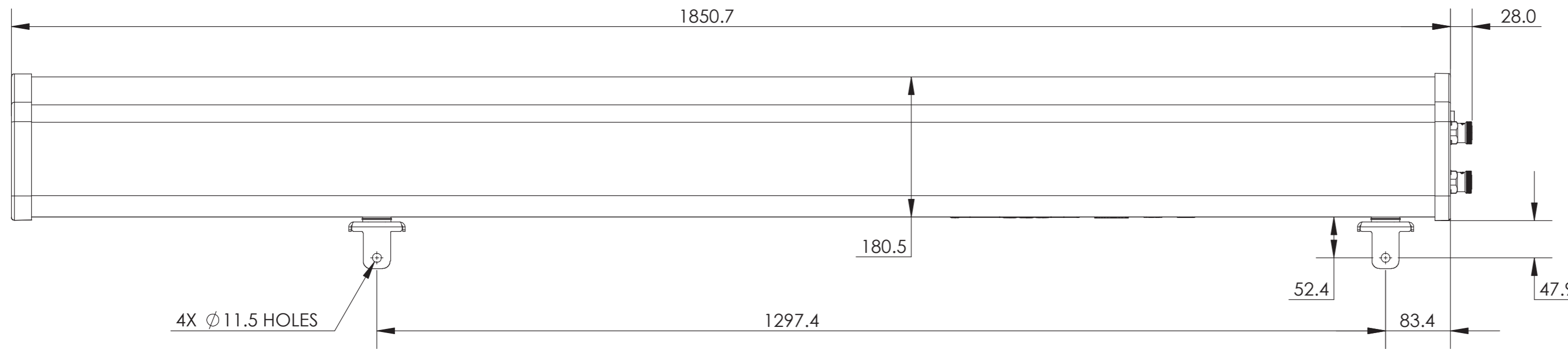


NOTES:

REVISIONS			
REV.	DESCRIPTION	DATE	APPROVED
A	ECR 8000004069: RELEASE TO PRODUCTION PER EAO 601682.	30JAN15 LZ	DM.WANG/WJ.BO



SBNHH-1D85B

COMMSCOPE, INC. OF NORTH CAROLINA

DENSITY:	TOLERANCES	SAP MATERIAL MASTER
MASS:	0 PLACE X ±	
VOLUME:	1 PLACE .X ±	
SURFACE AREA:	2 PLACE .XX ±	
	ANGLES ±	

FINISH	MATERIAL
N/A	N/A

UNLESS OTHERWISE SPECIFIED DIMENSIONS ARE IN MILLIMETERS INTERPRET PER ISO STANDARDS HANDBOOK TECHNICAL DRAWINGS VOLUMES 1 & 2, THIRD EDITION (2002)	NAME	DATE	TITLE
	CE LZ	28JAN15	PRODUCT DRAWING
	RW LZ1032	01/30/2015	
	RV DW1030	01/30/2015	
	AD BW1017	01/30/2015	
	RE LONEWSOM	01/30/2015	
ECN 8000004069-O	SIZE A2	SCALE 1:1	DOCUMENT NO. SBNHH-1D85B-L

© 2015 CommScope, Inc.
 NOTICE: These drawings and specifications are the proprietary property of COMMSCOPE, INC. and may be used only for the specific purpose authorized in writing by COMMSCOPE, INC.

HEIGHT	ALL SURFACES	WORK AREA	23	MODEL	DRAWING			SHEET		
LENGTH	✓	⊕	▱	VERSION	STATUS	REVISION	VERSION	STATUS	REVISION	1 OF 1
WIDTH				00	RE	A	00	RE	A	