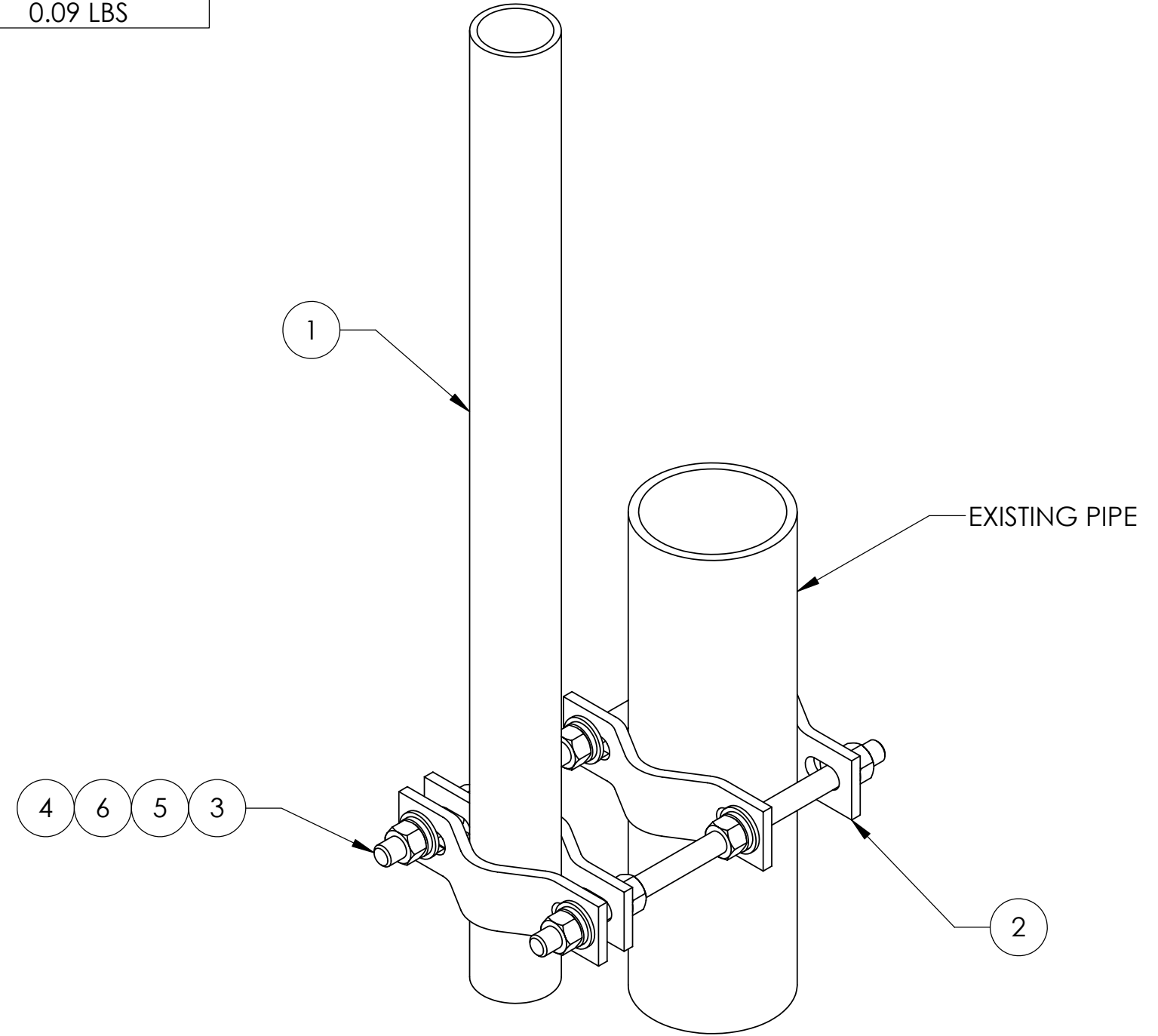



ITEM NO.	PART NUMBER	DESCRIPTION	QTY.	WEIGHT
1	GPS24.01	1.90" OD X 24" PIPE	1	5.76 LBS
2	AC-P10	ANTENNA CLAMP HALF	4	0.59 LBS
3	MT-379-10	1/2" X 10" GALV THREADED ROD	2	0.56 LBS
4	GWFO4A	1/2" GALV FLAT WASHER (A325)	8	0.02 LBS
5	GN04A	1/2" GALV HEX NUT (A325)	8	0.14 LBS
6	GWL-04	1/2" GALV LOCK WASHER	8	0.09 LBS

REVISIONS				
REV.	ZONE	DESCRIPTION	BY	DATE
A		INITIAL RELEASE	AW	06/27/06



These drawings and specifications are the proprietary property of ANDREW CORPORATION and may be used only for the specific purpose authorized in writing by Andrew Corporation. ALL DIMENSIONS ARE IN INCHES U.O.S. TOLERANCES UNLESS OTHERWISE SPECIFIED: .X = ± .06 ANGLES ± 2' .XX = ± .03 FRACTIONS ± 1/32 .XXX = ± .010 REMOVE BURRS AND BREAK EDGES .005 DO NOT SCALE THIS PRINT	DRAWN BY: AW	SHEET: 1 of 1	PART NUMBER: GP-S24
	CHECKED BY: TP	SCALE: NTS	DESCRIPTION: GPS MOUNT
	DATE: 06/27/06	MATERIAL: A36	DRAWING TYPE: ASSEMBLY DRAWING
	REVISION: A	FINISH: GALV A123	 ORLAND PARK, IL. 60462 U.S.A.
	WEIGHT: 9.84 LBS		