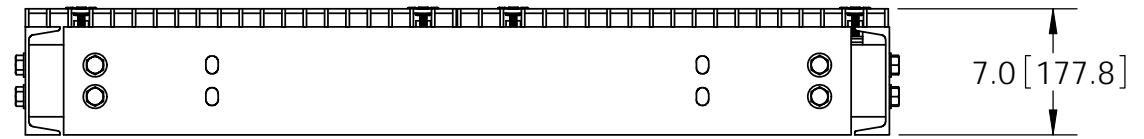
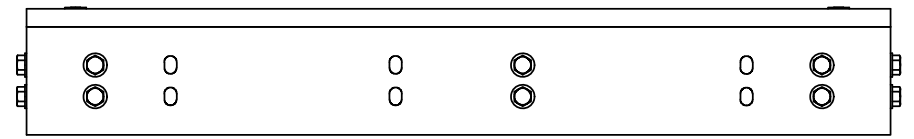
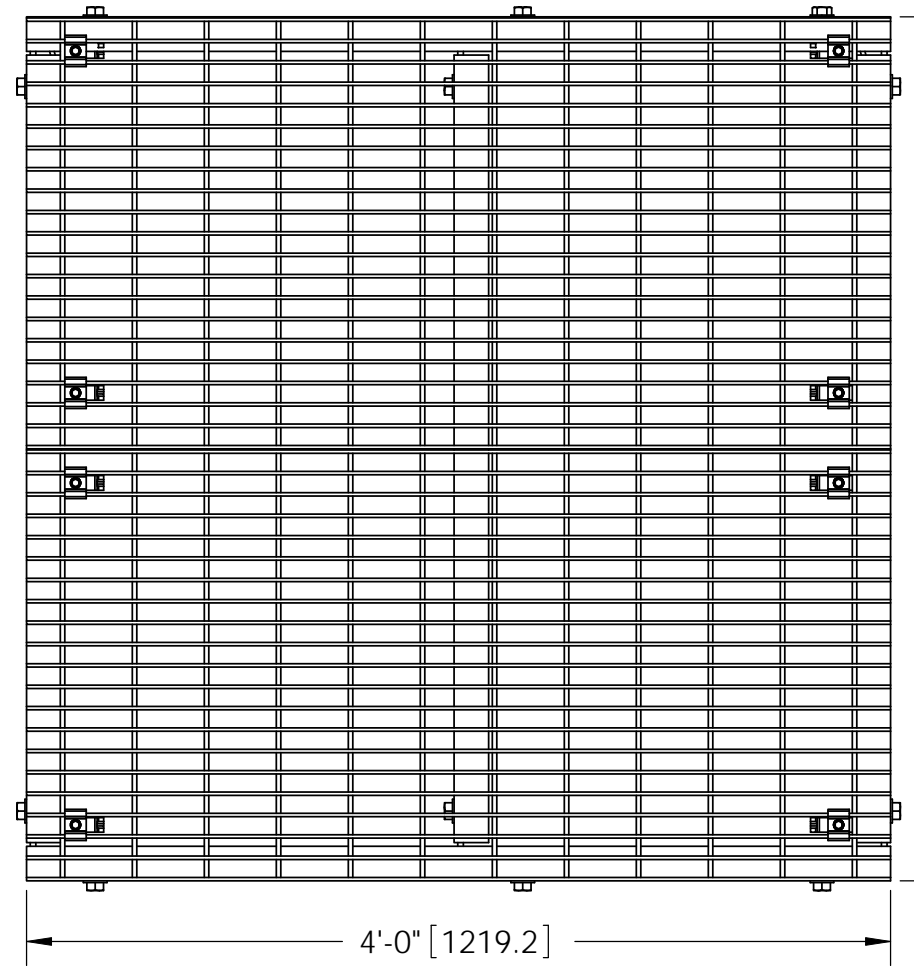
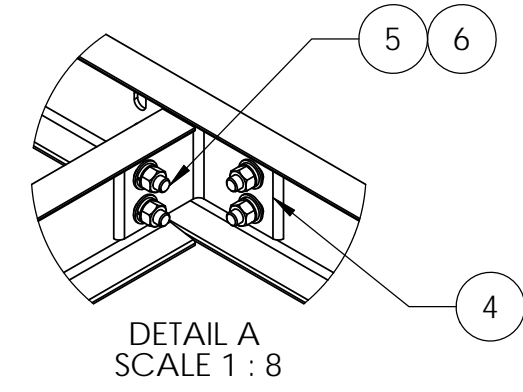
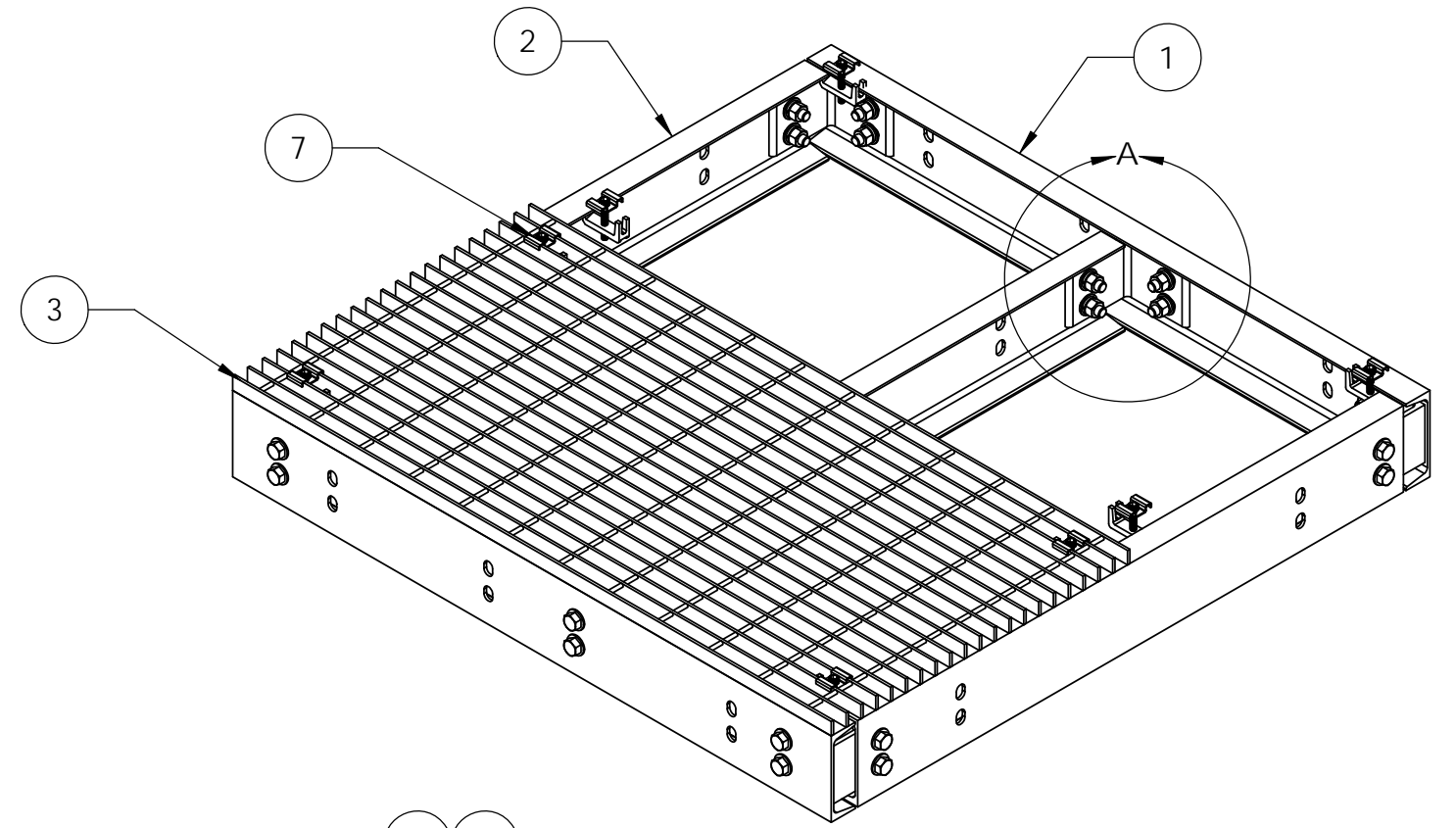



| ITEM | PART NO. | DESCRIPTION | QTY. | WEIGHT |
|------|-------------|----------------------------|------|-----------|
| 1 | EQP6C040403 | 4' Platform Channel Side | 2 | 32.21 LBS |
| 2 | EQP6C040801 | 4' Platform Channel Center | 3 | 29.80 LBS |
| 3 | MTC9102.05 | 24" X 48" GRATING | 2 | 57.09 LBS |
| 4 | MTCP.01 | 6" Channel Adapter Angle | 6 | 3.18 LBS |
| 5 | GB-05205 | 5/8" X 2" GALV BOLT KIT | 24 | 0.39 LBS |
| 6 | GWF-05 | 5/8" GALV FLAT WASHER | 48 | 0.04 LBS |
| 7 | GCM03 | GRATING CLIP | 8 | 0.40 LBS |

| REVISIONS | | | | |
|-----------|------|-----------------|-----|----------|
| REV. | ZONE | DESCRIPTION | BY | DATE |
| A | | INITIAL RELEASE | ACG | 04/02/10 |



NOTES:
 1. ALL METRIC DIMENSIONS ARE IN BRACKETS.
 2. GRATING REMOVED FOR CLARITY.

| | | | |
|--|--------------------------|------------------------|--|
| <small>These drawings and specifications are the proprietary property of ANDREW CORPORATION and may be used only for the specific purpose authorized in writing by Andrew Corporation.</small> ALL DIMENSIONS ARE IN INCHES U.O.S. TOLERANCES UNLESS OTHERWISE SPECIFIED: .X = ± .06 ANGLES ±2° .XX = ± .03 FRACTIONS ±1/32 .XXX = ± .010 REMOVE BURRS AND BREAK EDGES .005 DO NOT SCALE THIS PRINT | DRAWN BY: ACG | SHEET: 1 of 1 | PART NUMBER: EQ-P6C0404-B |
| | CHECKED BY: TP | SCALE: NTS | DESCRIPTION: 4' X 4' Equipment Platform |
| | DATE: 04/02/10 | MATERIAL: A36, A568 | DRAWING TYPE: ASSEMBLY DRAWING |
| | REVISION: A | FINISH: GALV A123 |  WESTCHESTER, IL. 60154 U.S.A. |
| | WEIGHT: 300.59 LBS | | |