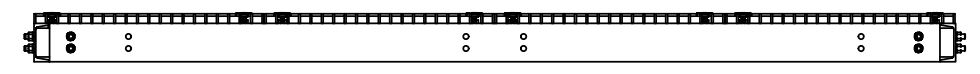
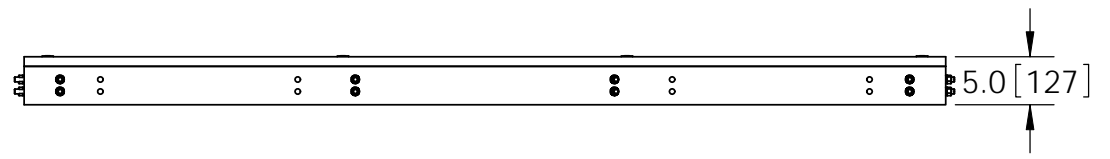
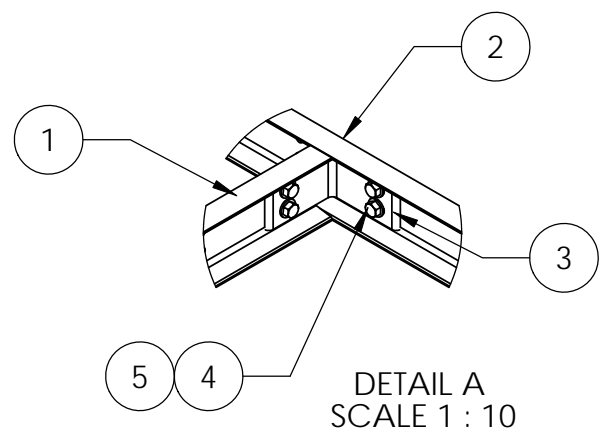
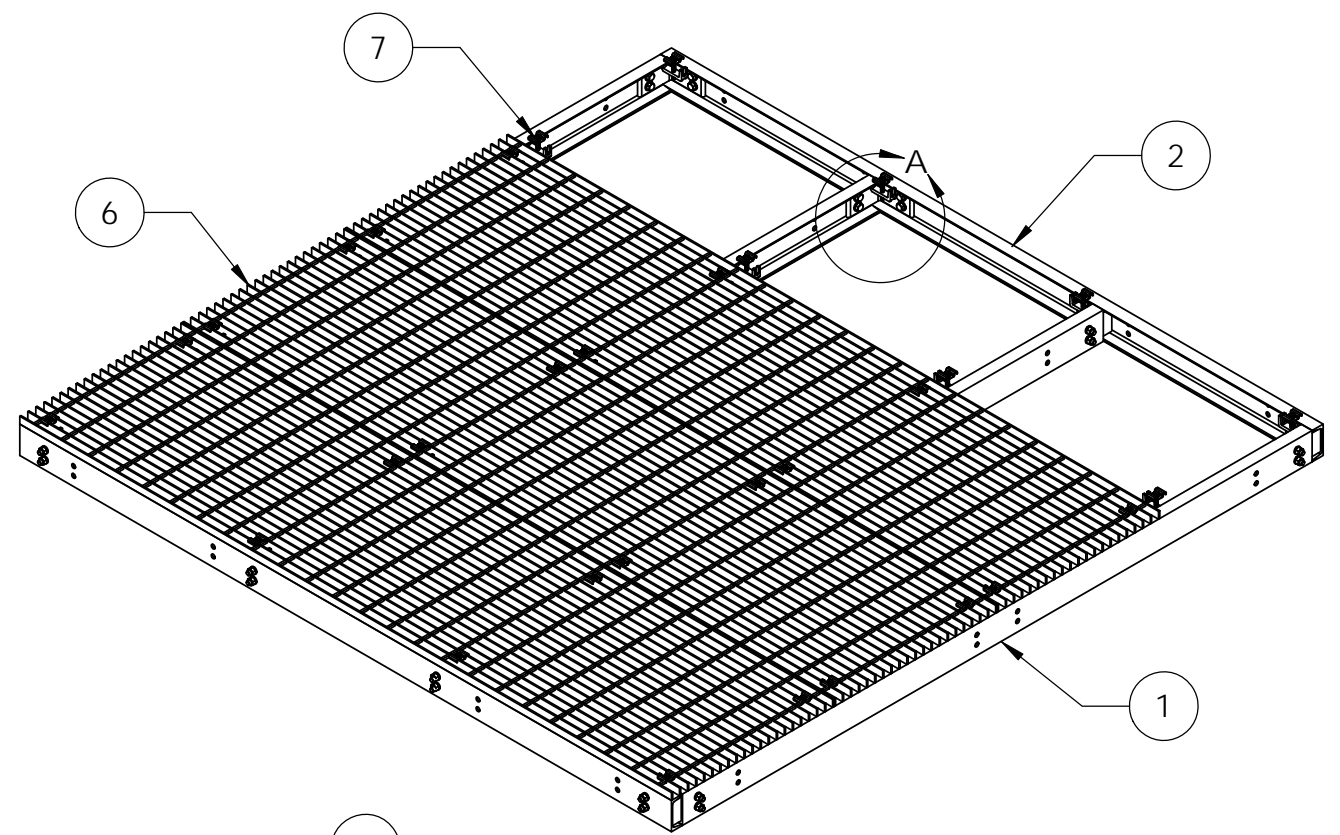
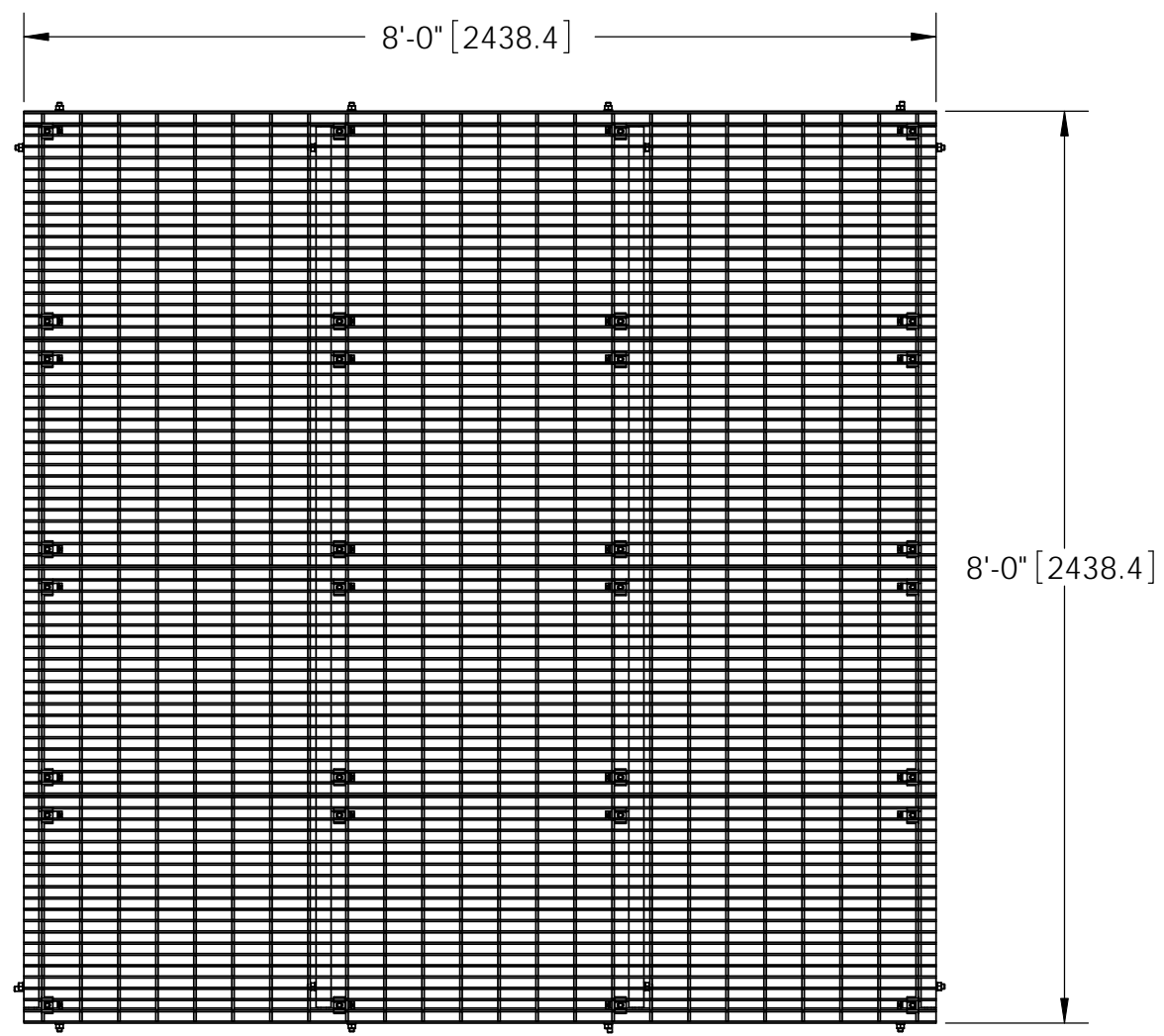



ITEM	PART NO.	DESCRIPTION	QTY.	WEIGHT
1	EQP4C080802	Center Channel 8' Platform	4	41.24 LBS
2	EQP4C060801	Side Channel 8' Platform	2	42.64 LBS
3	EQP4C01	4" Channel Platform Angle	8	2.37 LBS
4	GB-04145	1/2" X 1-1/2" GALV BOLT KIT	32	0.03 LBS
5	GWF-04	1/2" GALV FLAT WASHER	32	0.01 LBS
6	MT-C9003.01	24" X 96" BAR GRATING	4	115.46 LBS
7	GCM03	GRATING CLIP	32	0.39 LBS

REVISIONS				
REV.	ZONE	DESCRIPTION	BY	DATE
A		INITIAL RELEASE	MSM	03/17/11
B		UPDATE GRATING PART NUMBER	MSM	05/09/11



NOTES:
 1. ALL METRIC DIMENSIONS ARE IN BRACKETS.
 2. GRATING REMOVED FOR CLARITY.

<small>These drawings and specifications are the proprietary property of ANDREW CORPORATION and may be used only for the specific purpose authorized in writing by Andrew Corporation.</small> ALL DIMENSIONS ARE IN INCHES U.O.S. TOLERANCES UNLESS OTHERWISE SPECIFIED: .X = ± .12 ANGLES ±2° .XX = ± .06 FRACTIONS ±1/32 .XXX = ± .03 REMOVE BURRS AND BREAK EDGES .005 DO NOT SCALE THIS PRINT	DRAWN BY: MSM	SHEET: 1 of 1	PART NUMBER: EQ-P4C0808-B
	CHECKED BY: TP	SCALE: NTS	DESCRIPTION: 8' x 8' Equipment Platform C4 Base
	DATE: 03/17/11	MATERIAL: A572, A568	DRAWING TYPE: ASSEMBLY DRAWING
	REVISION: B	FINISH: GALV A123	 WESTCHESTER, IL. 60154 U.S.A.
	WEIGHT: 750.26 LBS		