

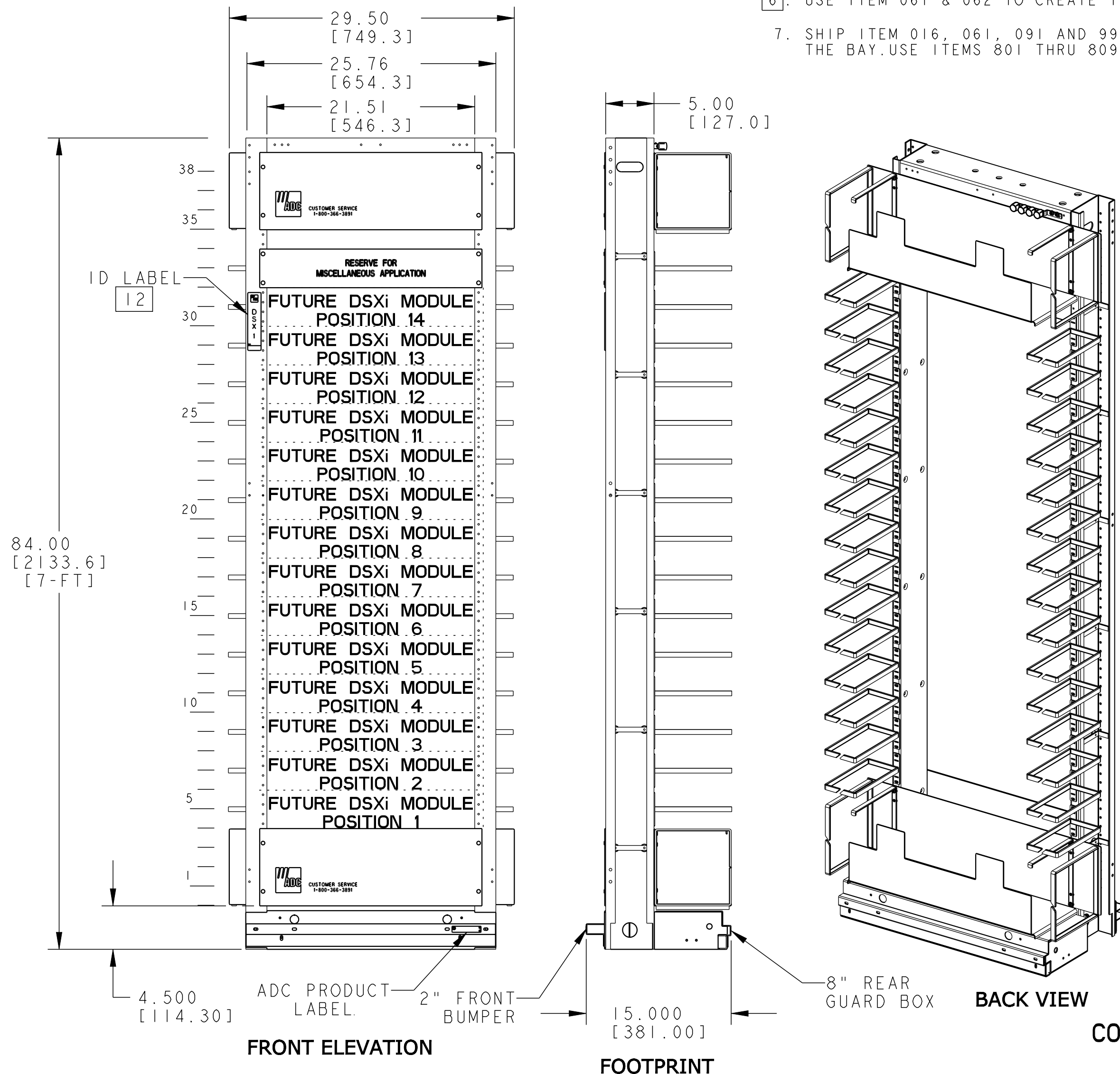
ITEM	DESCRIPTION	CATALOG	QTY
010	7-FT NETWORK RACK UN-EQUAL FLANGE, 15-FOOTPRINT 38-EQUAL MTG SPACES AT 2" SPACINGS	RAC-7A0788	1
040	4.00" X 23.00" BLANK PANEL, MARKED	PWBP-4023M	1
050	X-CONNECT CABLE RING WITH 8.00" X 4.00" RING	AUX-XCR8040	30
060	HORIZONTAL CABLE TROUGH WITH CABLE RETAINERS 8.00" HIGH X 8.00" DEEP X 29.50" WIDE	AUX-2D0028	2
070	8.00" X 23.00" BLANK PANEL, MARKED	PWBP-8023M	2
091	1/2-AMP FUSE, GMT TYPE (RED INDICATOR)	F-1/2	14

ADC NOTES:

- USE NO. 12-24 RACK SCREWS TO MOUNT ITEMS ON THE RACK UNLESS OTHERWISE SPECIFIED.
- INCLUDE A COPY OF INSTALLATION DRAWING ON THE RACK.
- SEE REFERENCE DRAWING (ITEM 600) FOR GROUND TERMINAL ASSEMBLY DETAILS.
- VERTICAL RING ASSEMBLIES ARE MOUNTED ON THE BACK OF THE RACK SEE PAGE 3.
- THIS BAY CONFIGURATION DOES NOT REQUIRED POWER WIRING TO THE FUSE PANEL. FUSE PANEL CHASSIS GROUND MUST BE ATTACHED TO THE TOP RACK RAIL. USE GREEN WIRE (ITEM 021) AND RING LUGS (ITEM 022 AND 023).
- GRIND-OFF PAINT ON THE RACK FOR PROPER GROUNDING. APPLY NO-XO GEL ON ANY EXPOSE METAL AND ON BARE WIRE AREA BEFORE CRIMPING IN TO THE LUGS.
- USE ITEM 061 & 062 TO CREATE ITEM 060. SEE PAGE 3 AND 4.
- SHIP ITEM 016, 061, 091 AND 998 WITH THE BAY. USE ITEMS 801 THRU 809 FOR PACKING.

REV	MCO	DWN	DATE
A	8000019580	PSC	28-JAN-17

CUSTOMER WIRING TABLE				
FROM DSX PANEL		TO FUSE PANEL		FUSE POSITION
PANEL POSITION	TERMINAL	ROW	PIN	AMPERAGE
DSX MODULE POSITION 1	-48V	BATT	1	POSITION 1 (1/2 AMP)
	GND	RTN		
DSX MODULE POSITION 2	-48V	BATT	2	POSITION 2 (1/2 AMP)
	GND	RTN		
REPEATED WIRING PATTERN				
DSX MODULE POSITION 14	-48V	BATT	14	POSITION 14 (1/2 AMP)
	GND	RTN		



CUSTOMER REFERENCE WIRING NOTES:

- GMT TYPE FUSES OF THE PROPER AMPERAGE ARE REQUIRED TO REPLACE "DUMMY" FUSES IN THE FUSE PANEL TO ACTIVATE POWER FEED. THESE FUSES ARE PROVIDED BY ADC. SEE WIRING TABLE FOR FUSE REQUIREMENTS. CONNECT POWER TO THE FUSE PANEL BEFORE REPLACING ANY "DUMMY" FUSE.
- NEVER INSTALL TELEPHONE EQUIPMENT IN A WET LOCATION OR DURING A LIGHTNING STORM. WHEN INSTALLING OR MODIFYING LINES, DISCONNECT LINES AT THE NETWORK INTERFACE BEFORE WORKING ON UNINSULATED WIRES OR TERMINALS.
- CONNECT OFFICE FRAME GROUND ON THE RACK USING PROPER GAUGE WIRE AND APPROPRIATE LUG CONNECTOR. REFER TO YOUR OFFICE GROUNDING REQUIREMENTS.
- A MINIMUM OF 5.00" RACK SPACER IS REQUIRED BETWEEN BAYS IN THE LINE-UP WITH A 2.50" SPACER TO MOUNT END PANELS FINISH EACH END.
- PLACE LABEL APPROX SHOWN
- USE BLACK WIRE FOR BATTERY RETURN (GND) CONNECTIONS. USE RED WIRE FOR BATTERY (-48V) CONNECTIONS. USE GREEN WIRE FOR CHASSIS GROUND CONNECTIONS.
- CRIMP SPADE LUG ON ONE OF BOTH BLACK AND RED WIRES. CRIMP RING LUG ON ONE END OF GREEN WIRE. PREPARE THE OTHER END FOR WIRE-WRAPPING.
- ROUTE POWER WIRES (BLACK & RED WIRES) FROM THE FUSE PANEL DOWN TO EACH RESPECTIVE MODULE AND TERMINATE LUGS ON THE MODULE POWER TERMINALS.
- TERMINATE RING LUG ON CHASSIS GND OF DSX MODULES AND THE OTHER END TO THE GREEN WIRE TO THE GROUND TERMINAL LOCATED INSIDE THE CHANNEL OF THE RACK, MAXIMUM (2) WIRES PER POST IS RECOMMENDED
- USE CABLE TIES TO SECURE WIRES ON TIE BRACKETS AS REQUIRED.
- MODULE POSITION 1 COUNT STARTS FROM THE BOTTOM, ABOVE THE LOWER TROUGH WHEN IN/OUT CABLING (EQUIPMENT CABLES) COMES IN FROM THE TOP. MODULE POSITION 1 COUNT STARTS TO THE TOP, BELOW THE FUSE PANEL WHEN IN/OUT CABLING (EQUIPMENT CABLES) COMES IN THROUGH THE FLOOR.

DMB-77WC14
CATALOG NUMBER

© 2016 COMMSCOPE, INC. CONFIDENTIAL NOTICE: THESE DRAWINGS AND SPECIFICATIONS ARE THE PROPRIETARY PROPERTY OF COMMSCOPE, INC. AND MAY BE USED ONLY FOR THE SPECIFIC PURPOSE AUTHORIZED IN WRITING BY COMMSCOPE, INC.		TITLE	7-FT/23, 15 FOOTPRINT DS1/RX SKELETON BAY INST DRW	
ALL DIMS AND TOLERANCES ARE INCHES UNLESS OTHERWISE SPECIFIED	.XX:±REF .XXX:±REF ANGULAR:±REF	C SIZE	DRAWING NUMBER	A REV
DO NOT SCALE DRAWING	ENGR: P. SALAZAR DWN: P. SALAZAR	660000428	SHT. 1 OF 4	

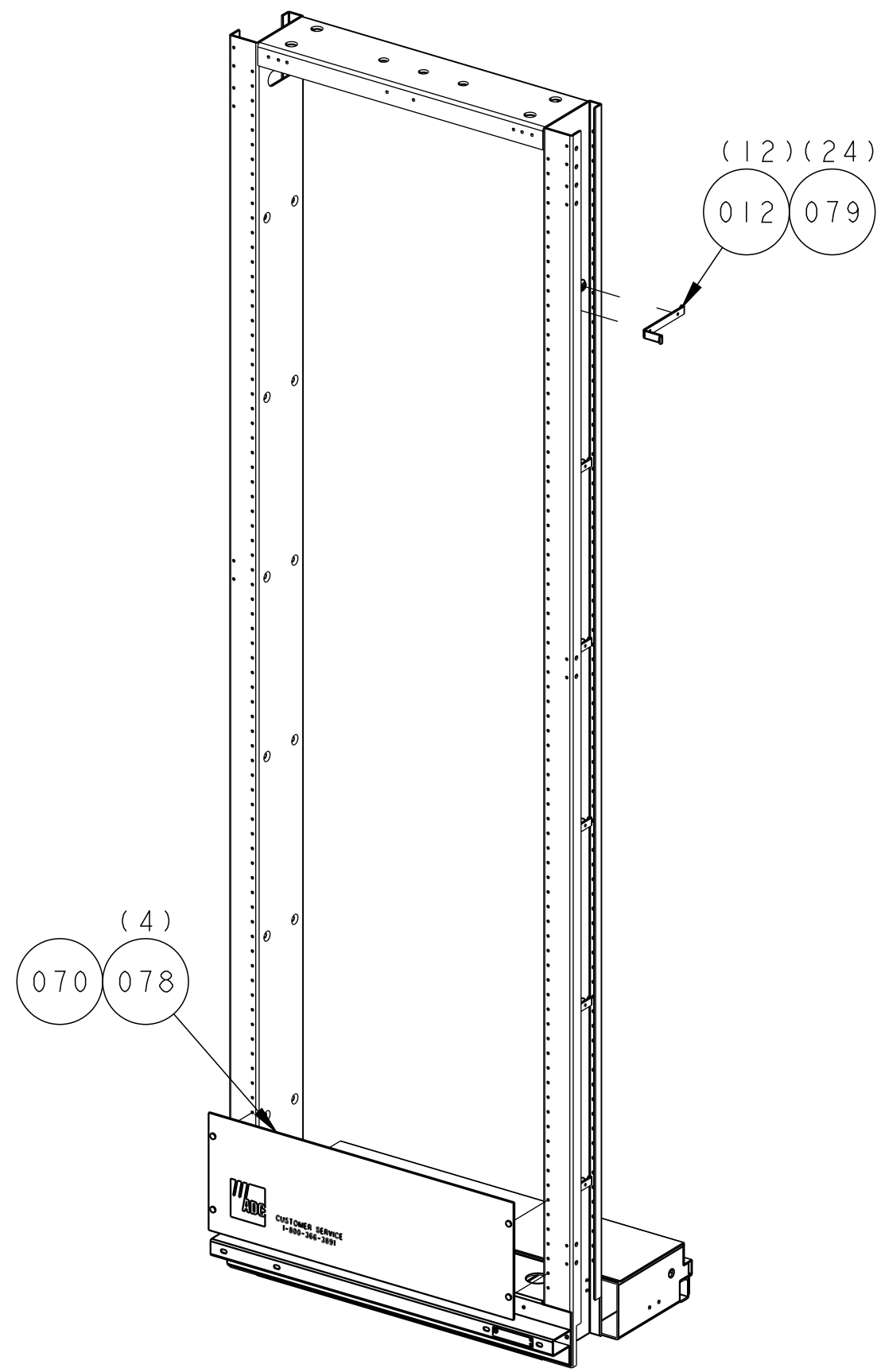
DIMENSIONS IN INCHES
THIRD ANGLE PROJECTION

A

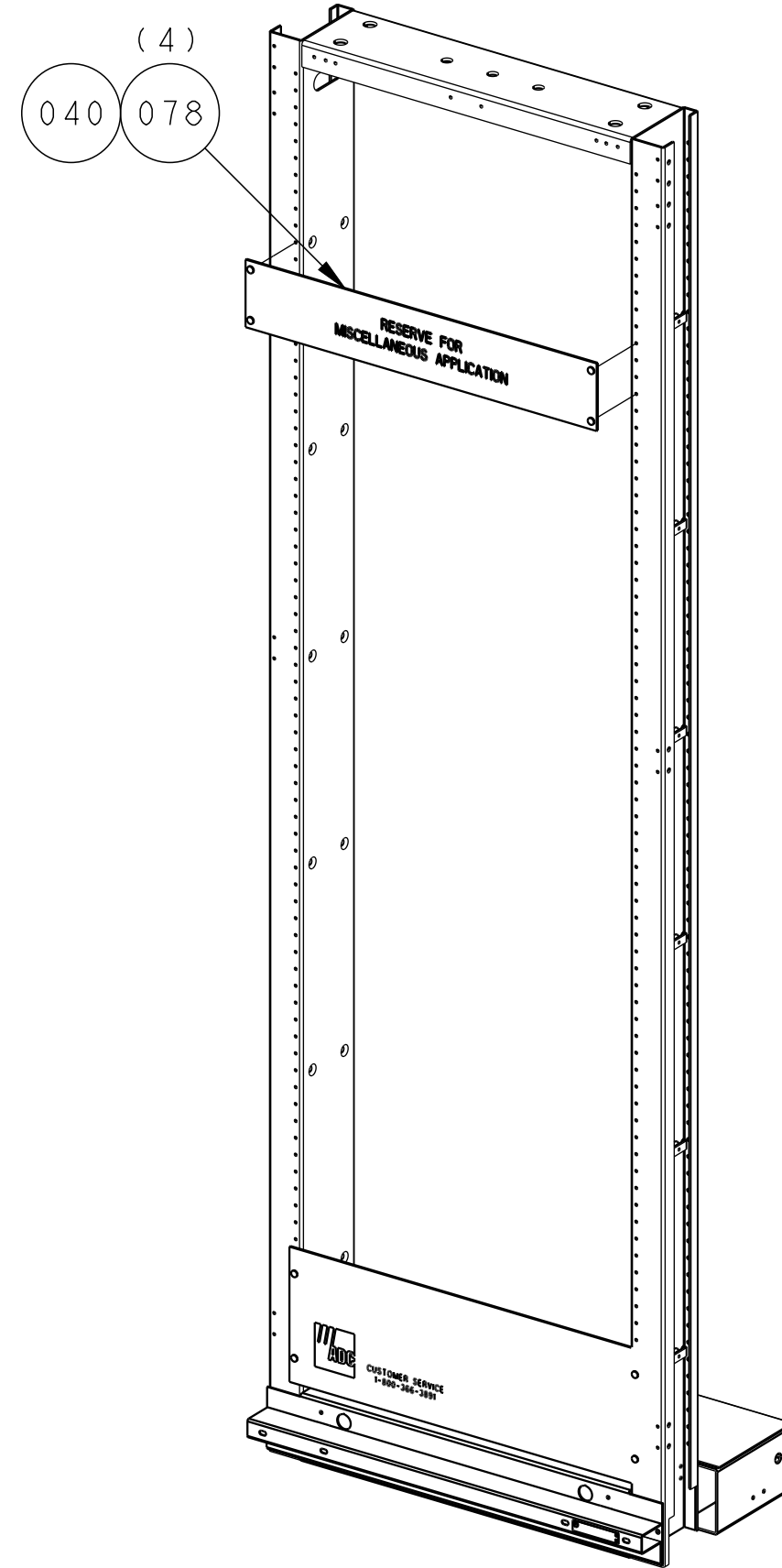
B

C

D



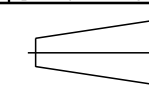
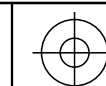
BLANK PANEL 8" AND CABLE TIES ASSEMBLY



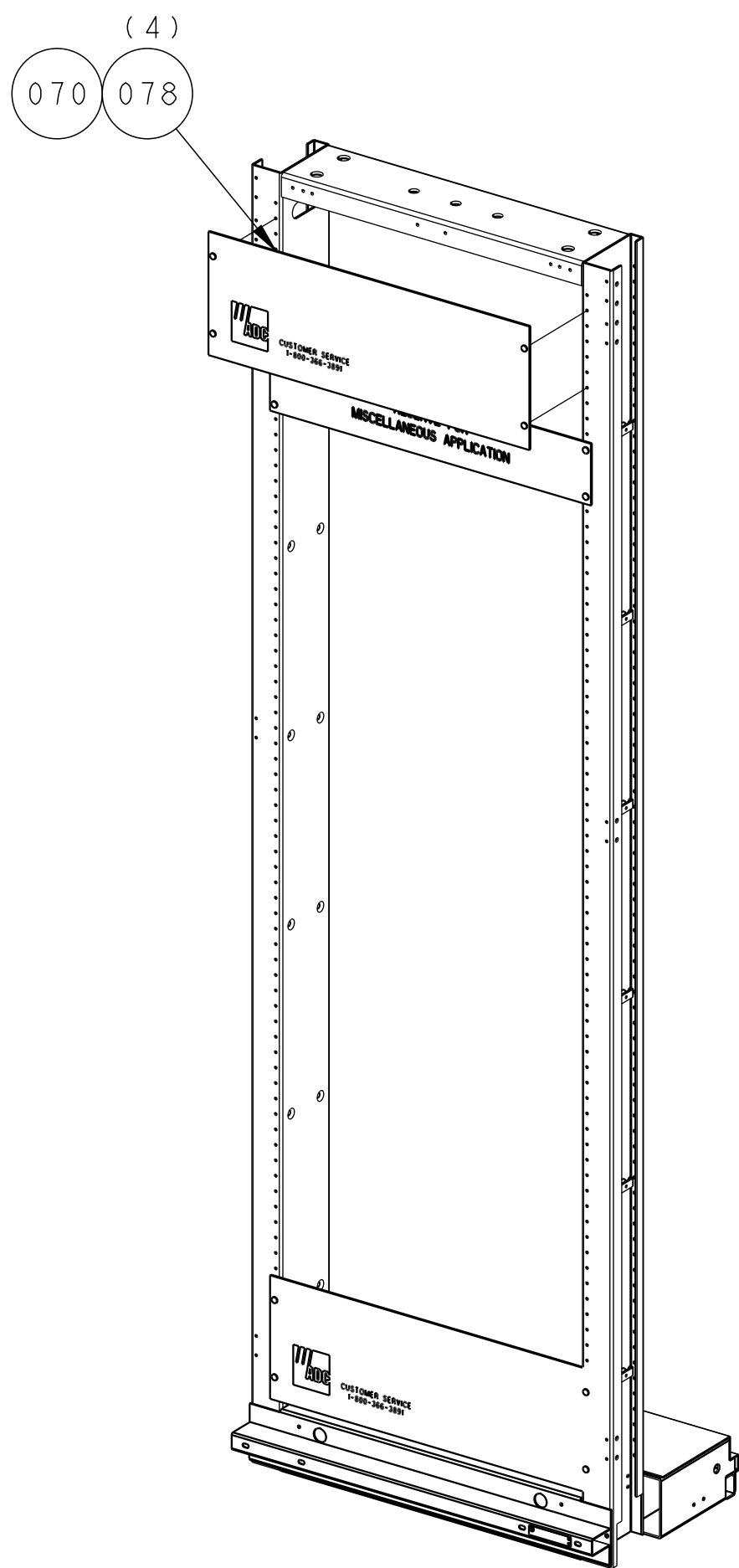
BLANK PANEL 4" ASSEMBLY

COMMSCOPE, INC.

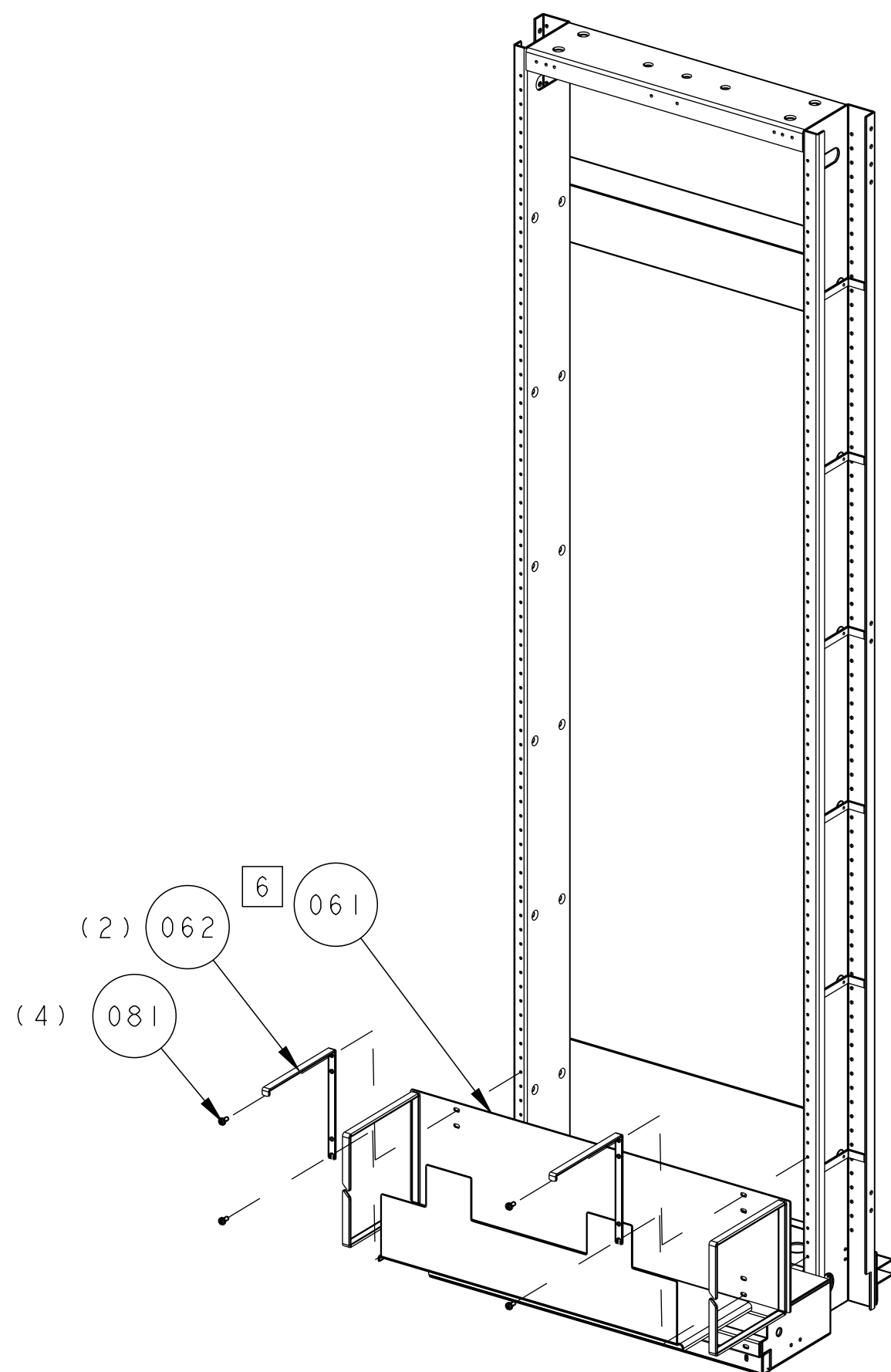
© 2016 COMMSCOPE, INC. CONFIDENTIAL NOTICE: THESE DRAWINGS AND SPECIFICATIONS ARE THE PROPRIETARY PROPERTY OF COMMSCOPE, INC. AND MAY BE USED ONLY FOR THE SPECIFIC PURPOSE AUTHORIZED IN WRITING BY COMMSCOPE, INC.	TITLE 7-FT/23, 15 FOOTPRINT DSI/RX SKELETON BAY INST DRW		A REV
	ALL DIMS AND TOLERANCES .XX:±REF ARE INCHES UNLESS .XXX:±REF OTHERWISE SPECIFIED ANGULAR:±REF	C SIZE	
DO NOT SCALE DRAWING	ENGR: P. SALAZAR DWN: P. SALAZAR	SHT. 2 OF 4	



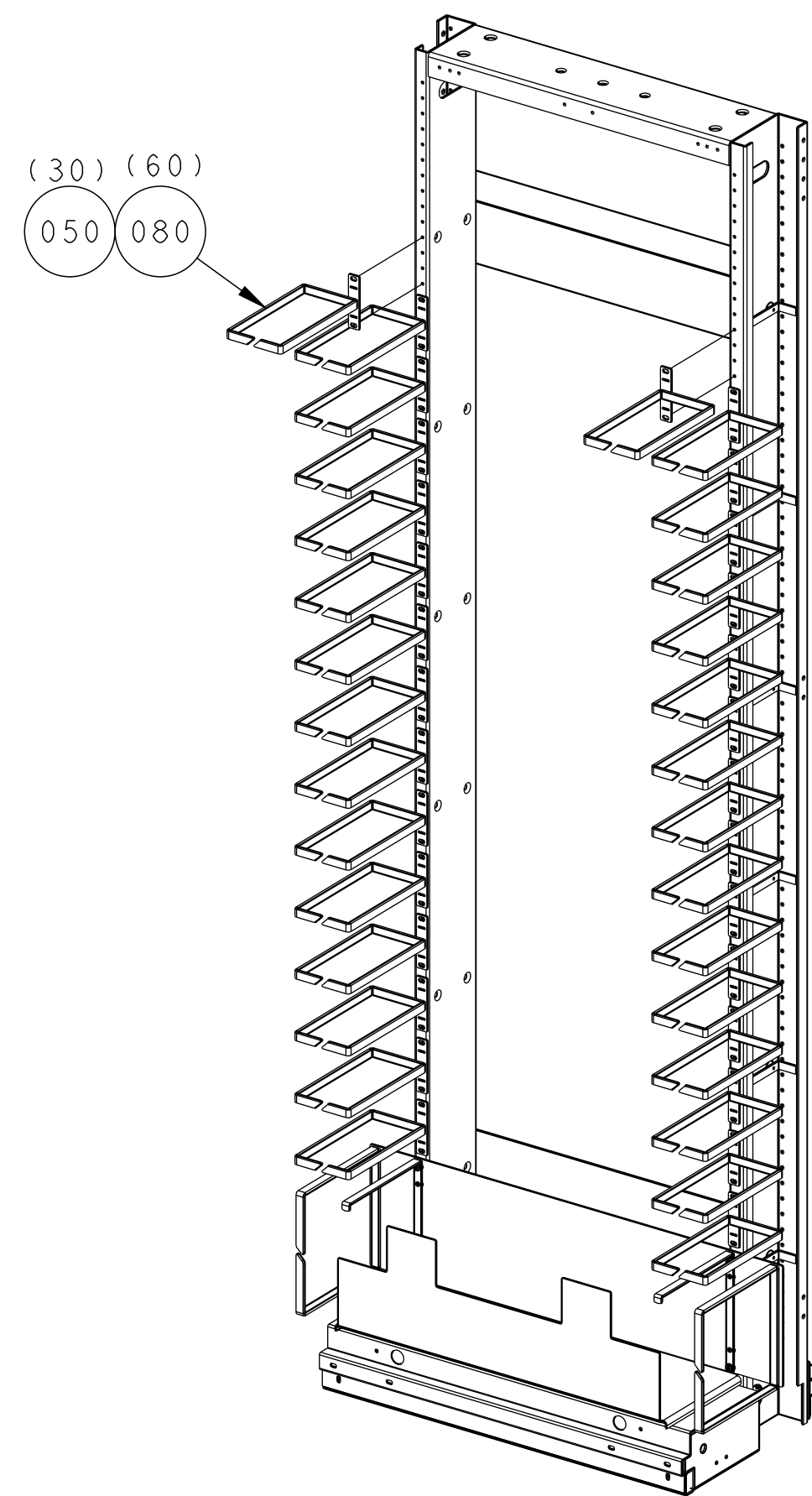
DIMENSIONS IN INCHES
THIRD ANGLE PROJECTION



BLANK PANEL 8" ASSEMBLY



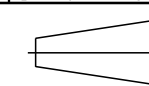
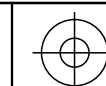
CABLE TROUGH ASSEMBLY



CABLE RINGS ASSEMBLY

COMMSCOPE, INC.

<small>© 2016 COMMSCOPE, INC. CONFIDENTIAL NOTICE: THESE DRAWINGS AND SPECIFICATIONS ARE THE PROPRIETARY PROPERTY OF COMMSCOPE, INC. AND MAY BE USED ONLY FOR THE SPECIFIC PURPOSE AUTHORIZED IN WRITING BY COMMSCOPE, INC.</small>		TITLE 7-FT/23, 15 FOOTPRINT DS1/RX SKELETON BAY INST DRW	
<small>ALL DIMS AND TOLERANCES .XX:±REF ARE INCHES UNLESS .XXX:±REF OTHERWISE SPECIFIED ANGULAR:±REF</small>		C SIZE	DRAWING NUMBER 660000428
DO NOT SCALE DRAWING		ENGR: P. SALAZAR DWN: P. SALAZAR	SHT. 3 OF 4 A REV



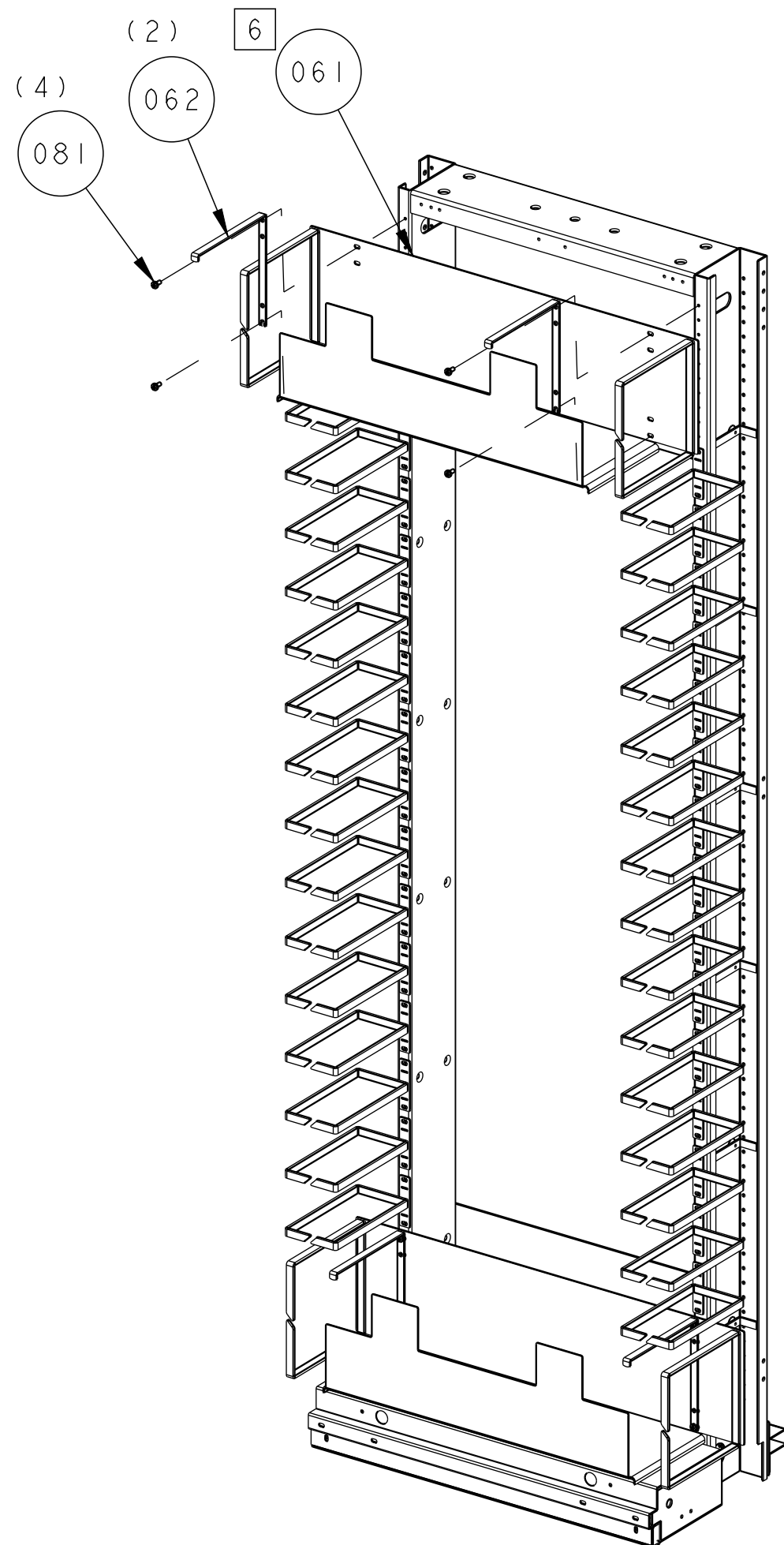
DIMENSIONS IN INCHES
 THIRD ANGLE PROJECTION

A

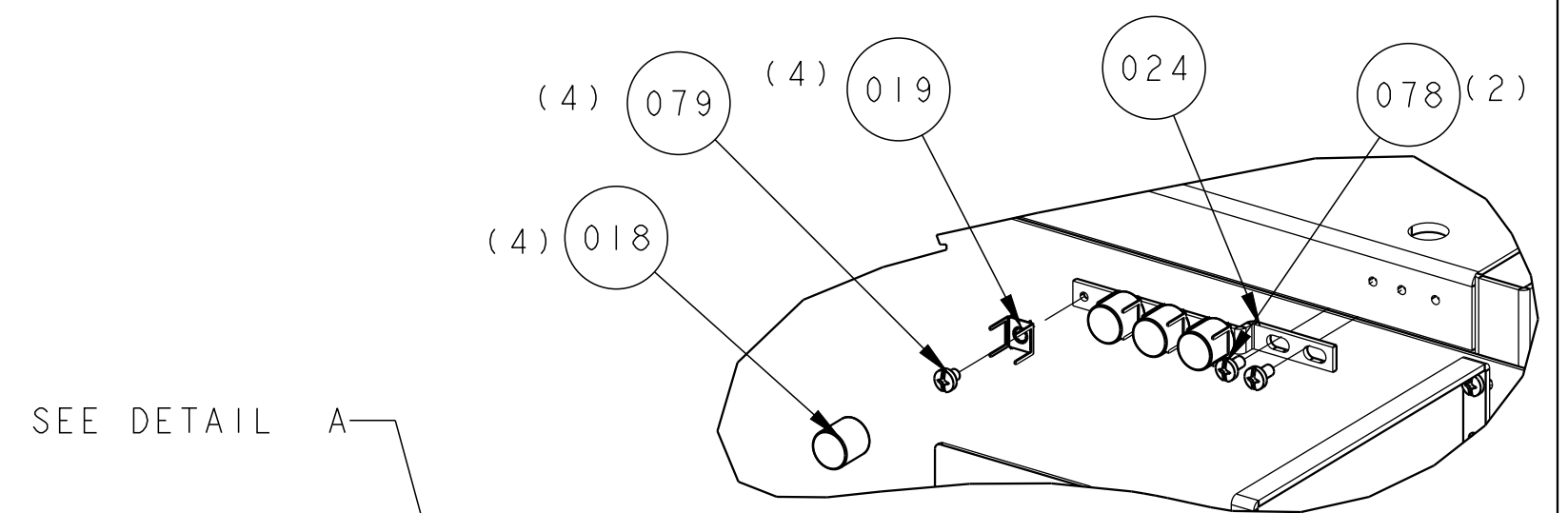
B

C

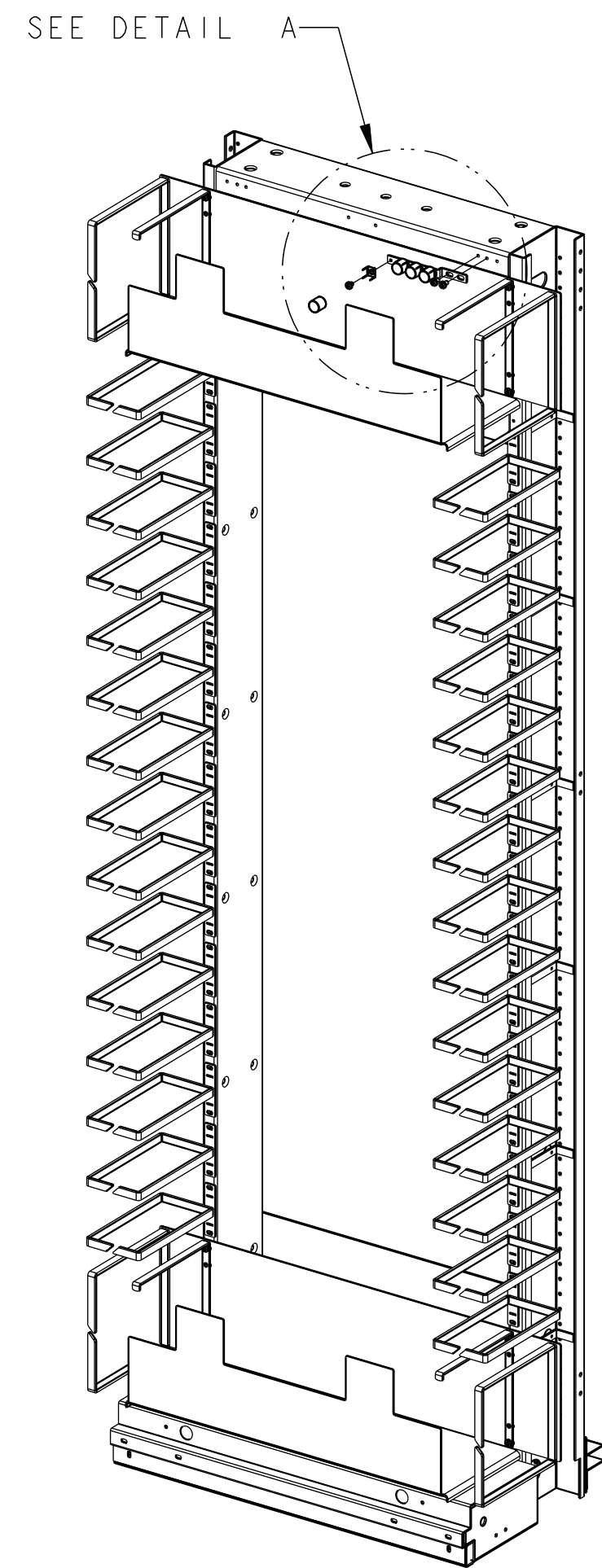
D



CABLE TROUGH ASSEMBLY



DETAIL A



GROUND BAR AND GROUND POST ASSEMBLY

© 2016 COMMSCOPE, INC. CONFIDENTIAL
 NOTICE: THESE DRAWINGS AND SPECIFICATIONS
 ARE THE PROPRIETARY PROPERTY OF
 COMMSCOPE, INC. AND MAY BE USED ONLY FOR THE
 SPECIFIC PURPOSE AUTHORIZED IN WRITING BY
 COMMSCOPE, INC.

TITLE 7-FT/23, 15 FOOTPRINT
 DSI/RX SKELETON BAY
 INST DRW

ALL DIMS AND TOLERANCES .XX:±REF
 ARE INCHES UNLESS .XXX:±REF
 OTHERWISE SPECIFIED ANGULAR:±REF

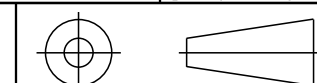
C DRAWING NUMBER A
 SIZE 660000428 REV

COMMSCOPE, INC.

DO NOT SCALE DRAWING

ENGR: P. SALAZAR
 DWN: P. SALAZAR

SHT. 4 OF 4



DIMENSIONS IN INCHES
THIRD ANGLE PROJECTION

A

B

C

1

2

3

4

1

2

3

4