

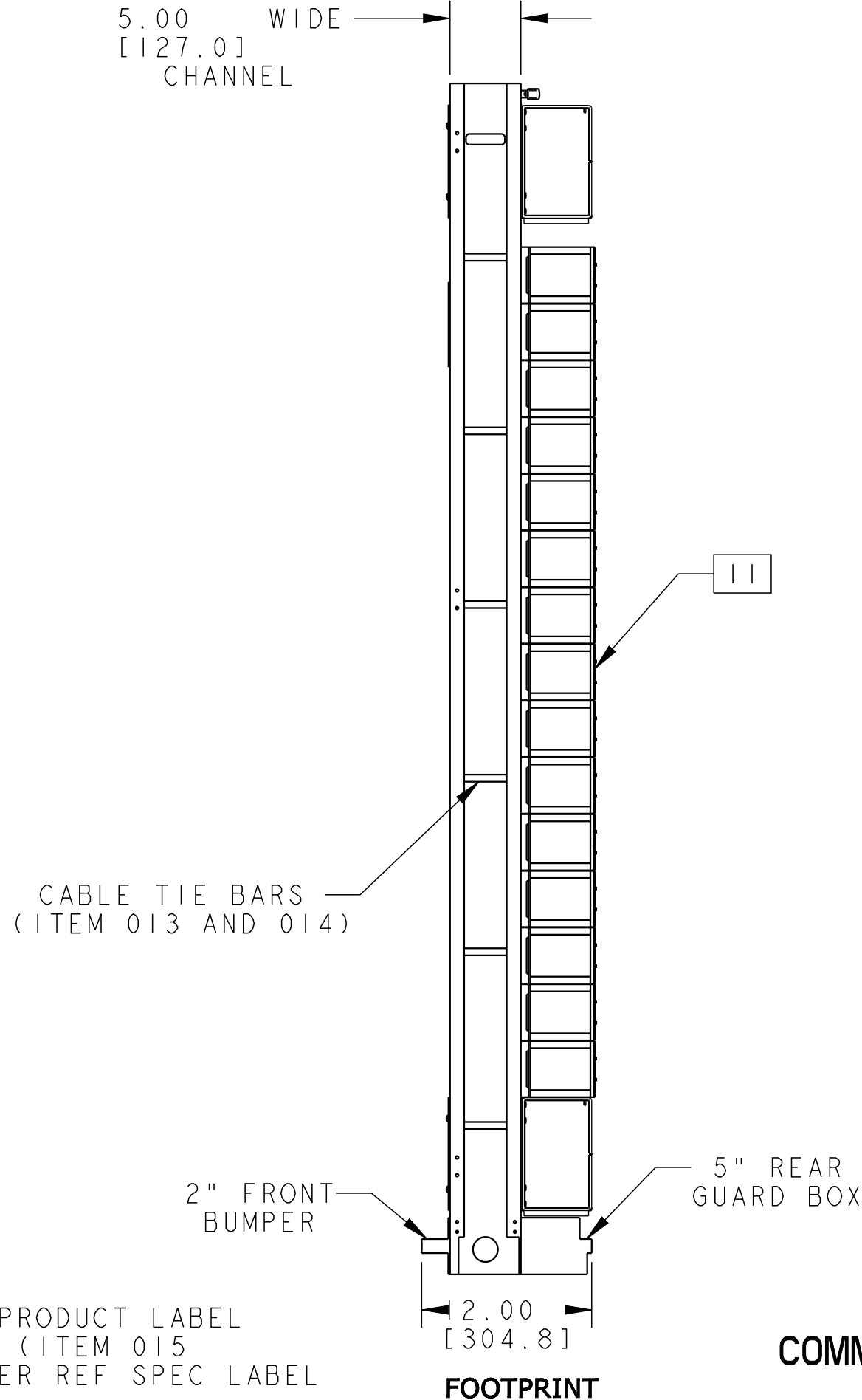
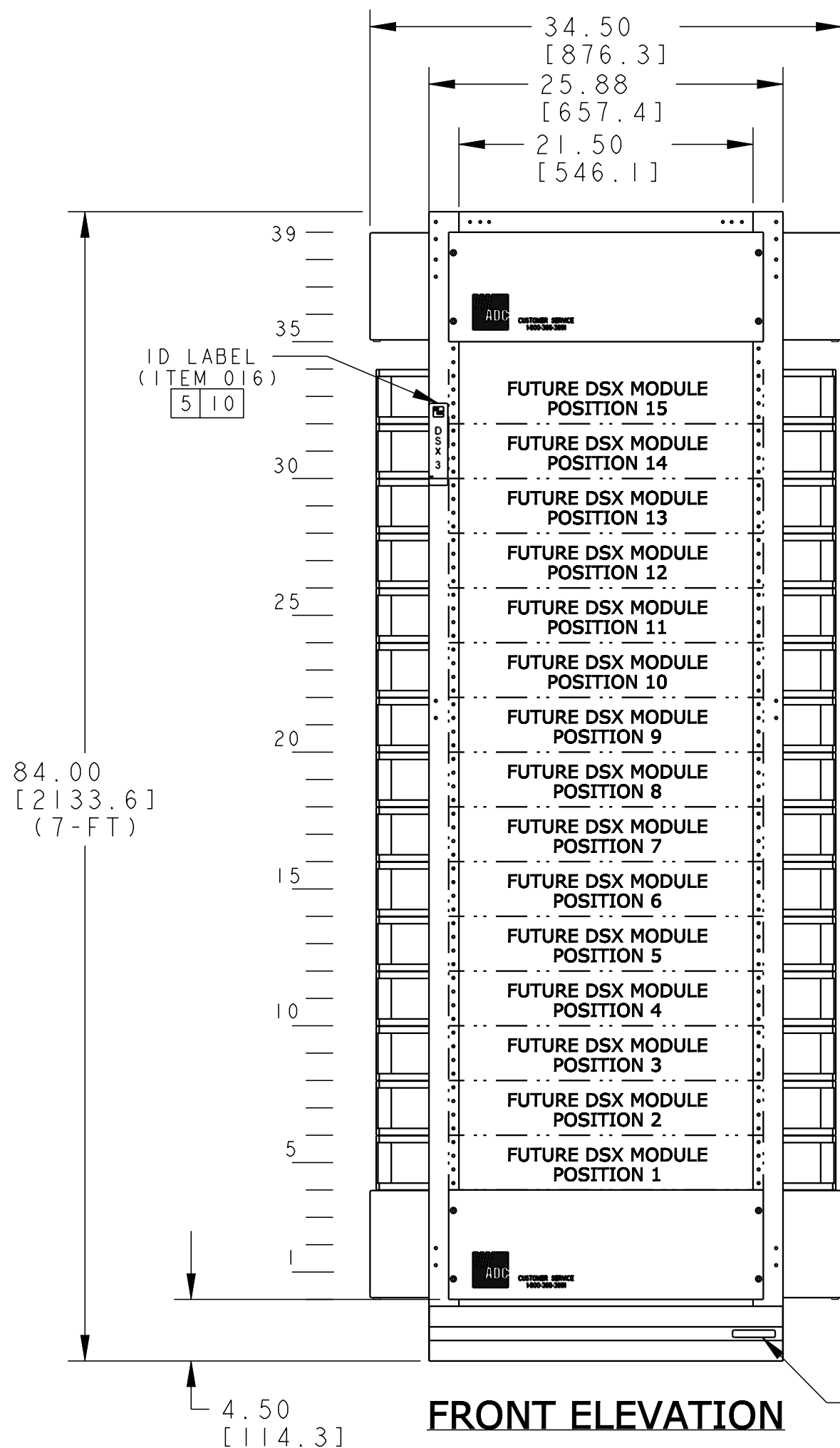
REV	MCO	DWN	DATE
A	8000019580	PSC	28-JAN-17

ITEM NO.	DESCRIPTION	CATALOG NO.	QTY
010	7' NETWORK RACK UNEQUAL FLANGE (PUTTY) 39 EQUAL MOUNTING SPACES AT 2" SPACINGS	RAC-7A0787	1
040	VERTICAL RING KIT (PUTTY)	DSX-4J-CBL-1	15
050	CABLE TROUGH (PUTTY) (8" X 34.5" X 5")	AUX-2D0025	2
060	BLANK PANEL (8" X 23")	PWBP-8023M	2
092	1/2 AMP GMT TYPE FUSE	F-1/2	15

CUSTOMER REFERENCE WIRING NOTES:

- THESE NOTES ARE FOR CUSTOMER REFERENCE ONLY. CUSTOMER REQUIREMENTS MAY VARY.
- USE COLOR CODED, INSULATED, 22 AWG SOLID WIRES TO IDENTIFY CONNECTIONS.
- USE BLACK WIRE FOR BATTERY RETURN (GND) CONNECTIONS. USE WHITE WIRE FOR BATTERY (-48V) CONNECTIONS. USE GREEN WIRE FOR CHASSIS GROUND CONNECTIONS.
- CRIMP PROPER SIZE TERMINAL LUG TO ONE END OF EACH WIRE AND PREPARE THE OTHER END FOR WIRE-WRAPPING.
- TERMINATE BLACK AND WHITE WIRE LUGS ON MODULE TERMINALS AND ROUTE THE OTHER END TO THE FUSE PANEL. (REFER TO WIRING TABLE FOR POWER CONNECTIONS) TERMINATE GREEN WIRE LUG ON CHASSIS GROUND TERMINAL AND ROUTE THE OTHER END TO THE CLOSEST GROUND POST TERMINAL LOCATED ON TOP RAIL BACK SIDE OF THE RACK, MAXIMUM (2) WIRES PER PRONG.
- USE CABLE TIES TO SECURE WIRES ON TIE BRACKETS AS REQUIRED.

CUSTOMER WIRING TABLE (REF. ONLY)					
PANEL POSITION	FROM DSX PANEL		TO FUSE PANEL		FUSE POSITION AMPERAGE
	TERMINAL	ROW	PIN		
DSX MODULE POSITION 1	-48V	BATT	1		POSITION 1 (1/2 AMP)
	GND	RTN			
DSX MODULE POSITION 2	-48V	BATT	2		POSITION 2 (1/2 AMP)
	GND	RTN			
REPEATED WIRING PATTERN					
DSX MODULE POSITION 15	-48V	BATT	15		POSITION 15 (1/2 AMP)
	GND	RTN			



ADC NOTES:

- USE NO. 12-24 RACK SCREWS TO MOUNT ITEMS ON THE RACK UNLESS OTHERWISE SPECIFIED.
- INCLUDE A COPY OF THIS DRAWING AND INSTALLATION DRAWINGS OF MODULES MOUNTED ON THE RACK.
- VERTICAL RINGS ARE MOUNTED ON BACK OF THE RACK AS SHOWN USE ITEMS 041 THRU 045 FOR CREATE ITEM 040. SEE PAGE 3 FOR ASSEMBLY DETAILS.
- USE ITEM 051 & 052 TO CREATE ITEM 050. SEE ITEM 050 DRAWING FOR ASSEMBLY DETAILS.
- SHIP ITEM 016, 046 AND 092 WITH THE BAY.

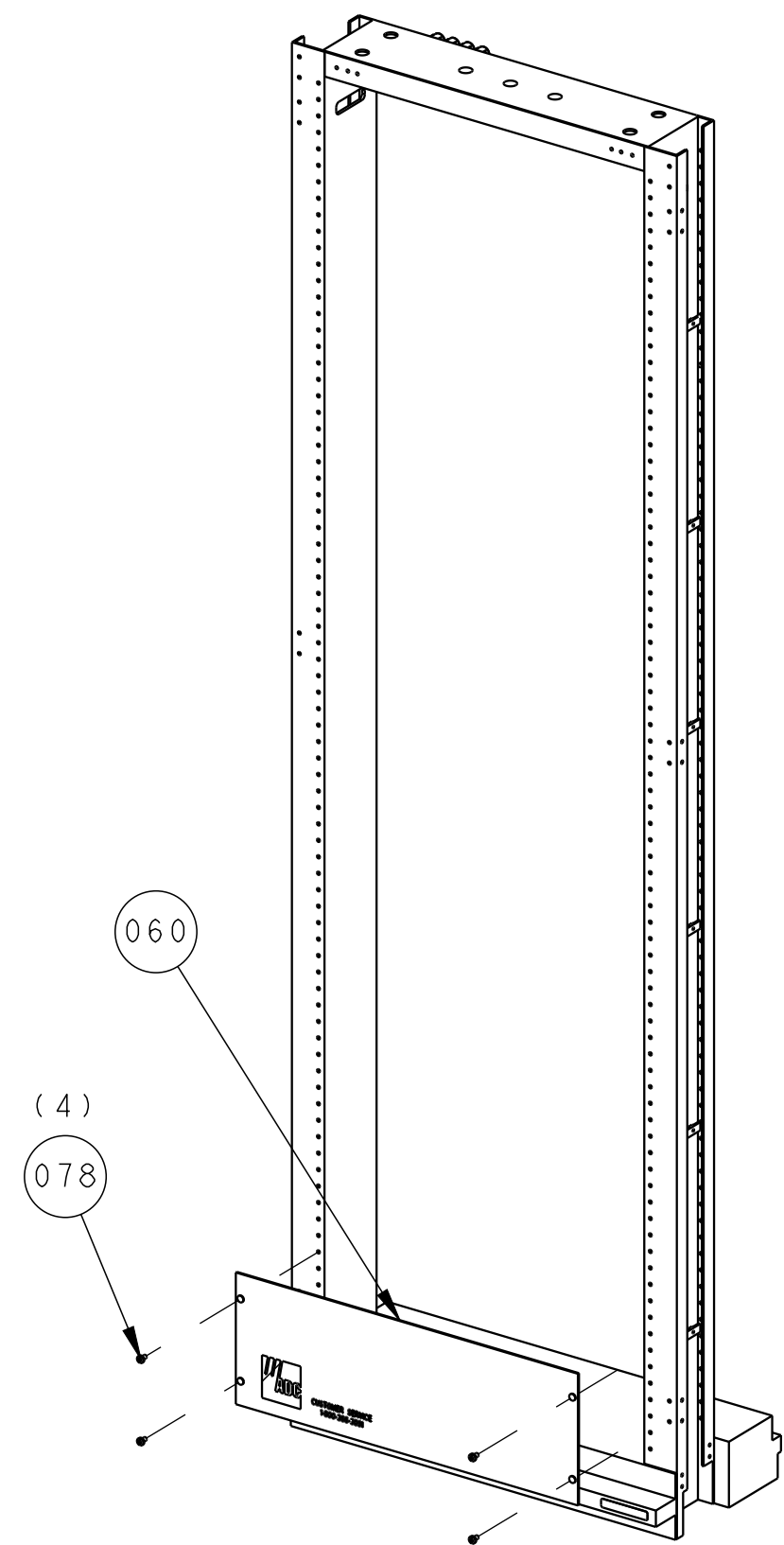
CUSTOMER NOTES:

- GMT TYPE FUSES OF THE PROPER AMPERAGE ARE REQUIRED TO REPLACE "DUMMY" FUSES IN THE FUSE PANEL TO ACTIVATE POWER FEED. ADC DO NOT PROVIDES THESE FUSES. SEE WIRING TABLE FOR FUSE REQUIREMENTS. CONNECT POWER TO THE FUSE PANEL BEFORE REPLACING ANY "DUMMY" FUSE.
 - NEVER INSTALL TELEPHONE EQUIPMENT IN A WET LOCATION OR DURING A LIGHTNING STORM. WHEN INSTALLING OR MODIFYING LINES, DISCONNECT LINES AT THE NETWORK INTERFACE BEFORE WORKING ON UNINSULATED WIRES OR TERMINALS.
 - CONNECT OFFICE FRAME GROUND ON THE RACK USING PROPER GAUGE WIRE AND APPROPRIATE LUG CONNECTOR. REFER TO YOUR OFFICE GROUNDING REQUIREMENTS.
 - A MINIMUM OF 5.00" RACK SPACER IS REQUIRED BETWEEN BAYS IN THE LINE-UP WITH A 2.50" SPACER TO MOUNT END PANELS FINISH EACH END.
- 10 PLACE LABEL APPROX WHERE SHOWN.
- 11 PLACE DESIGNATION LABELS ONTO CABLE RINGS AS DESIRE.

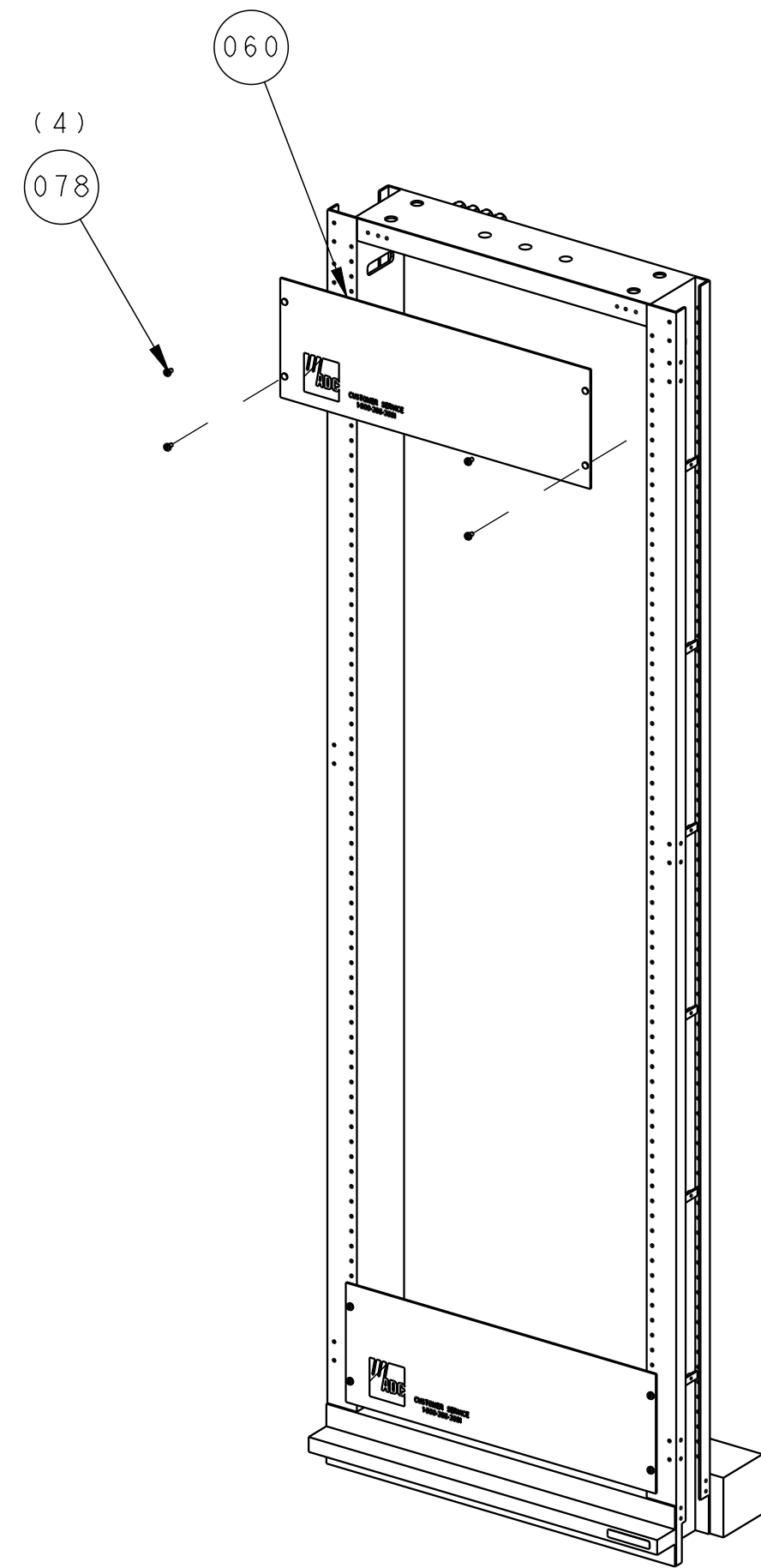
D3B-174229-Q
CATALOG NUMBER

© 2016 COMMSCOPE, INC. CONFIDENTIAL NOTICE: THESE DRAWINGS AND SPECIFICATIONS ARE THE PROPRIETARY PROPERTY OF COMMSCOPE, INC. AND MAY BE USED ONLY FOR THE SPECIFIC PURPOSE AUTHORIZED IN WRITING BY COMMSCOPE, INC.		TITLE 7-FT DS3 SKELETON BAY 2CT, 1FP, 2BP, 15CR, 12FP INST DRW	
ALL DIMS AND TOLERANCES ARE INCHES UNLESS OTHERWISE SPECIFIED	.XX:±REF .XXX:±REF ANGULAR:±REF	C SIZE DRAWING NUMBER 660000426	A REV
DO NOT SCALE DRAWING	ENGR: P. SALAZAR DWN: P. SALAZAR	SHT. 1 OF 3	

DIMENSIONS IN INCHES
THIRD ANGLE PROJECTION



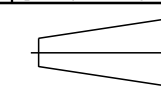
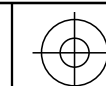
BLANK PANEL ASSEMBLY



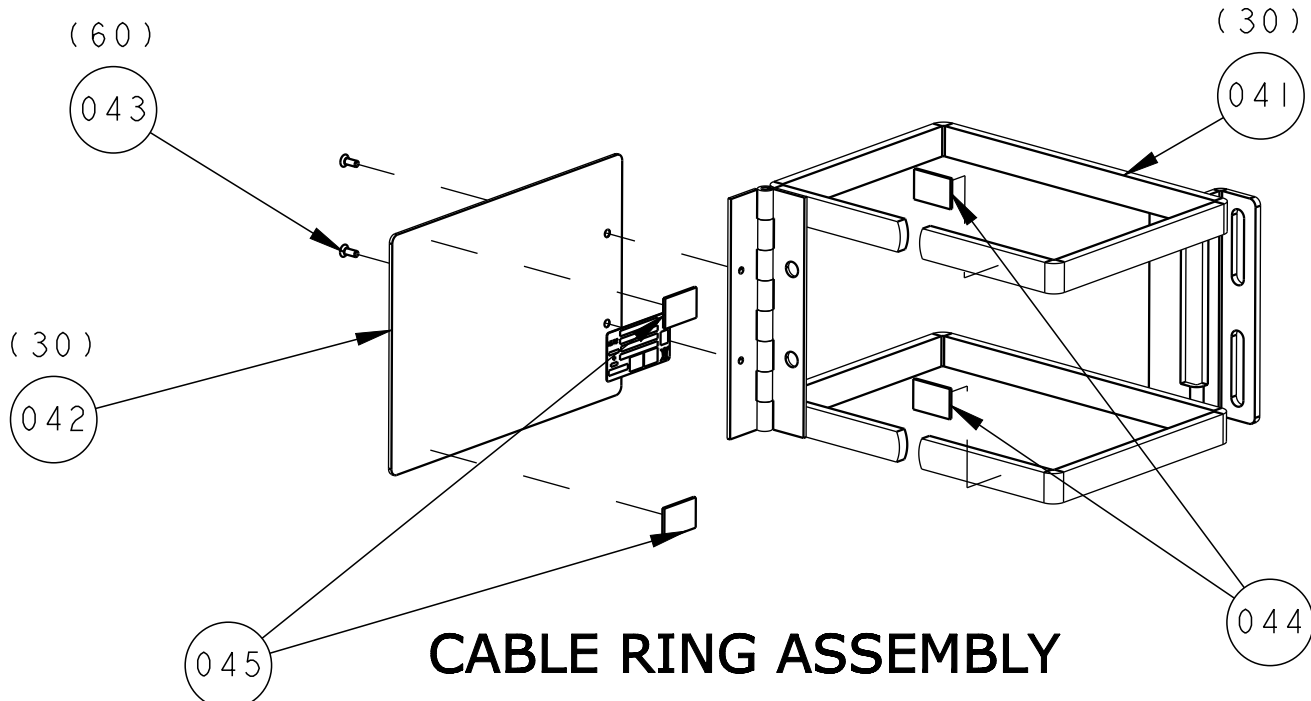
BLANK PANEL ASSEMBLY

COMMSCOPE, INC.

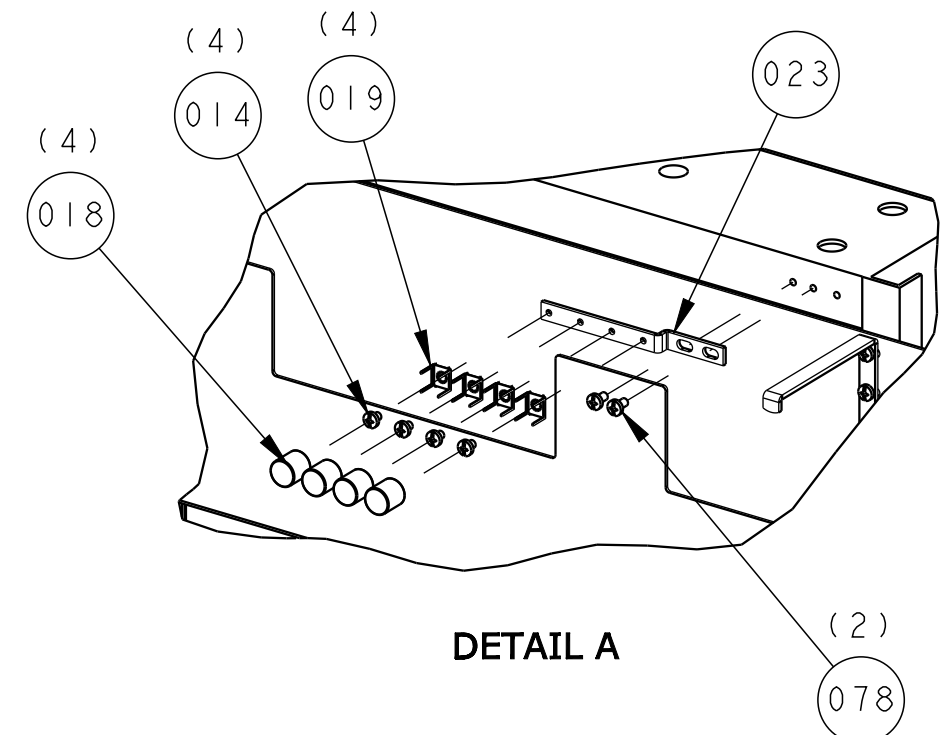
<small>© 2016 COMMSCOPE, INC. CONFIDENTIAL NOTICE: THESE DRAWINGS AND SPECIFICATIONS ARE THE PROPRIETARY PROPERTY OF COMMSCOPE, INC. AND MAY BE USED ONLY FOR THE SPECIFIC PURPOSE AUTHORIZED IN WRITING BY COMMSCOPE, INC.</small>		TITLE 7-FT DS3 SKELETON BAY 2CT, 1FP, 2BP, 15CR, 12FP INST DRW	
<small>ALL DIMS AND TOLERANCES ARE INCHES UNLESS OTHERWISE SPECIFIED</small>	<small>.XX:±REF .XXX:±REF ANGULAR:±REF</small>	C SIZE	DRAWING NUMBER 660000426
DO NOT SCALE DRAWING		ENGR: P. SALAZAR DWN: P. SALAZAR	A REV SHT. 2 OF 3



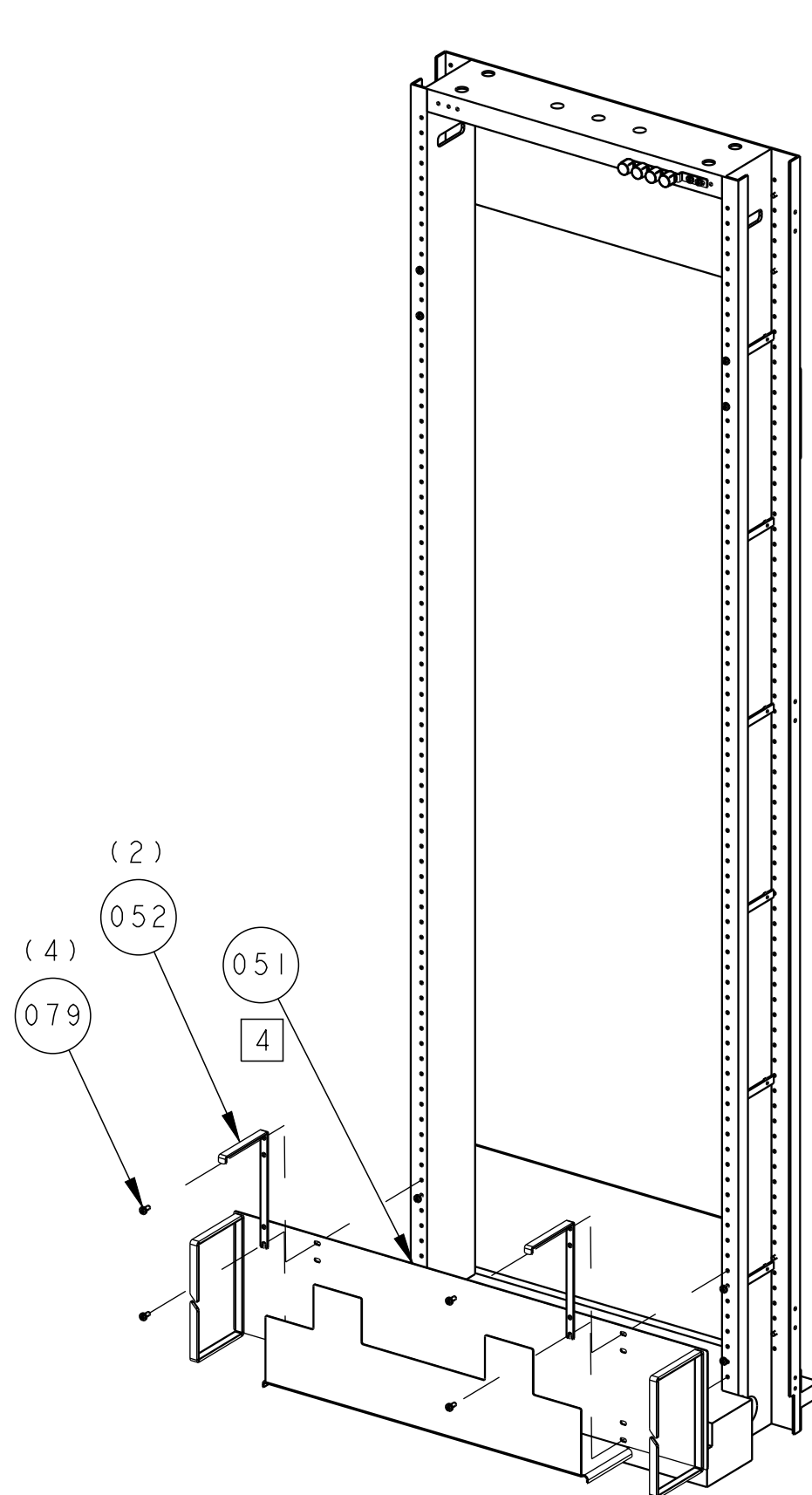
**DIMENSIONS IN INCHES
 THIRD ANGLE PROJECTION**



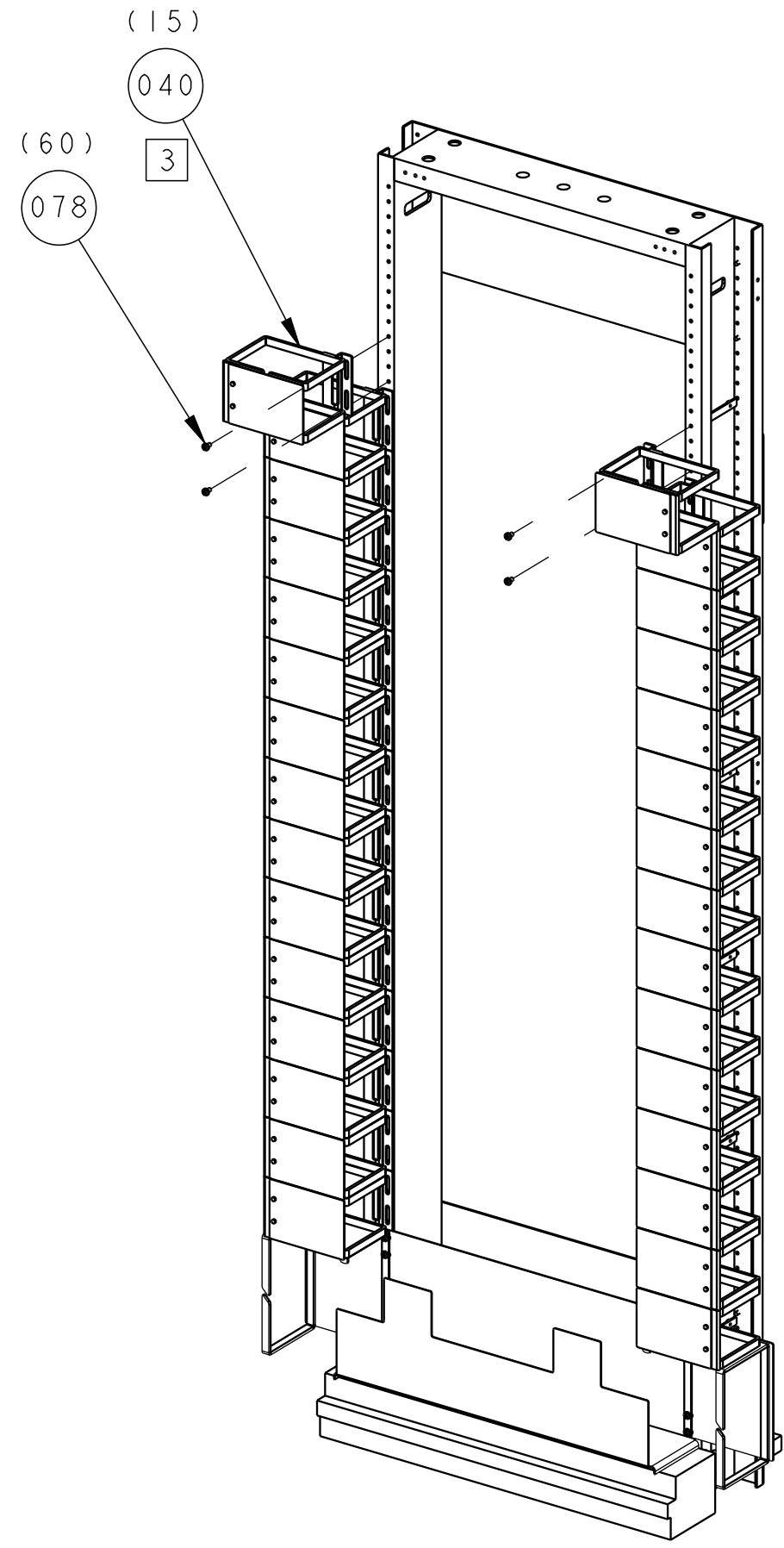
CABLE RING ASSEMBLY



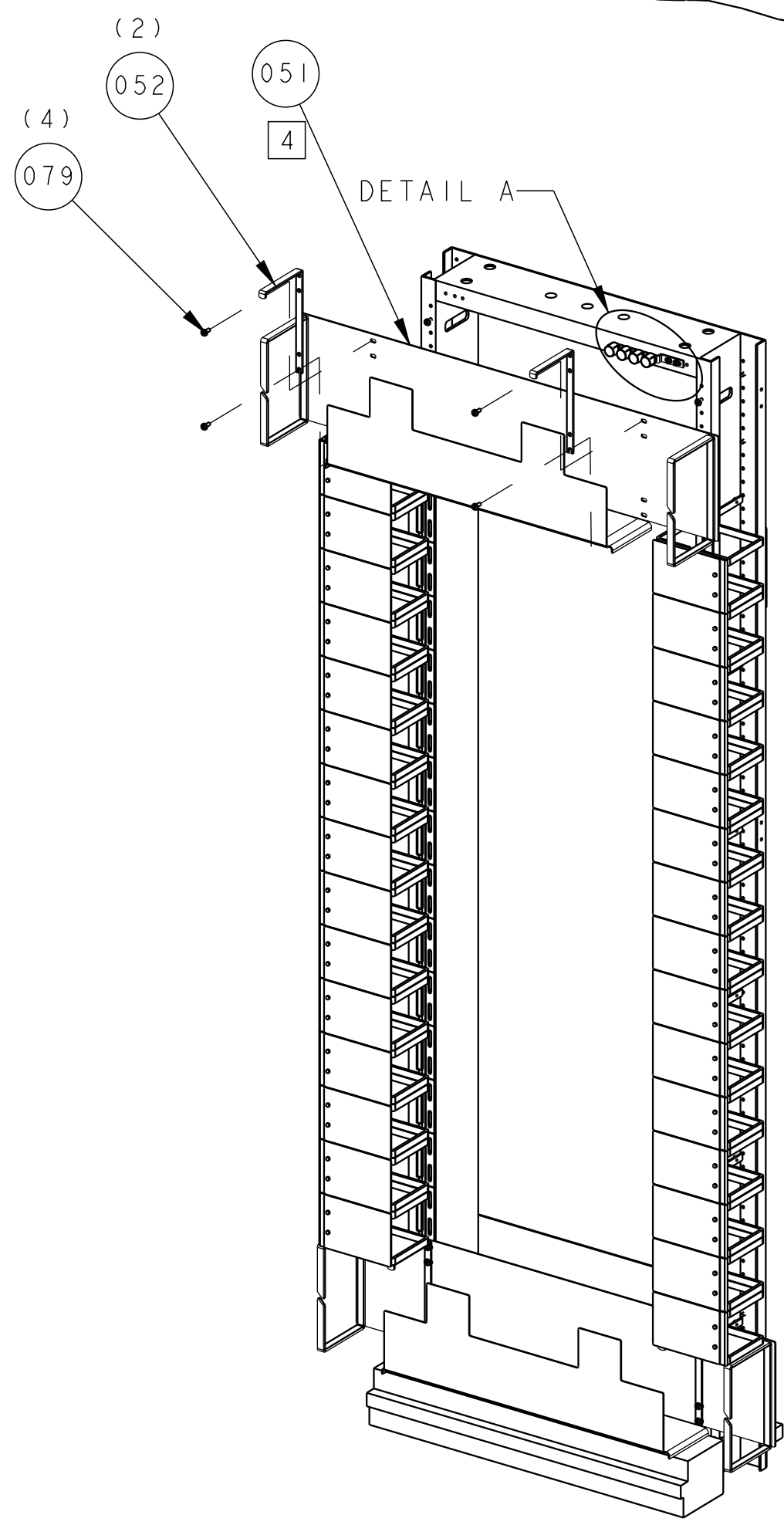
DETAIL A



CABLE TROUGH ASSEMBLY



CABLE RINGS ASSEMBLY



CABLE TROUGH ASSEMBLY

COMMSCOPE, INC.

<small>© 2016 COMMSCOPE, INC. CONFIDENTIAL NOTICE: THESE DRAWINGS AND SPECIFICATIONS ARE THE PROPRIETARY PROPERTY OF COMMSCOPE, INC. AND MAY BE USED ONLY FOR THE SPECIFIC PURPOSE AUTHORIZED IN WRITING BY COMMSCOPE, INC.</small>		TITLE 7-FT DS3 SKELETON BAY 2CT, 1FP, 2BP, 15CR, 12FP INST DRW	
<small>ALL DIMS AND TOLERANCES ARE INCHES UNLESS OTHERWISE SPECIFIED</small>	<small>.XX:±REF .XXX:±REF ANGULAR:±REF</small>	C SIZE	DRAWING NUMBER 660000426
<small>DO NOT SCALE DRAWING</small>		<small>ENGR: P. SALAZAR DWN: P. SALAZAR</small>	<small>SHT. 3 OF 3</small>

**DIMENSIONS IN INCHES
 THIRD ANGLE PROJECTION**