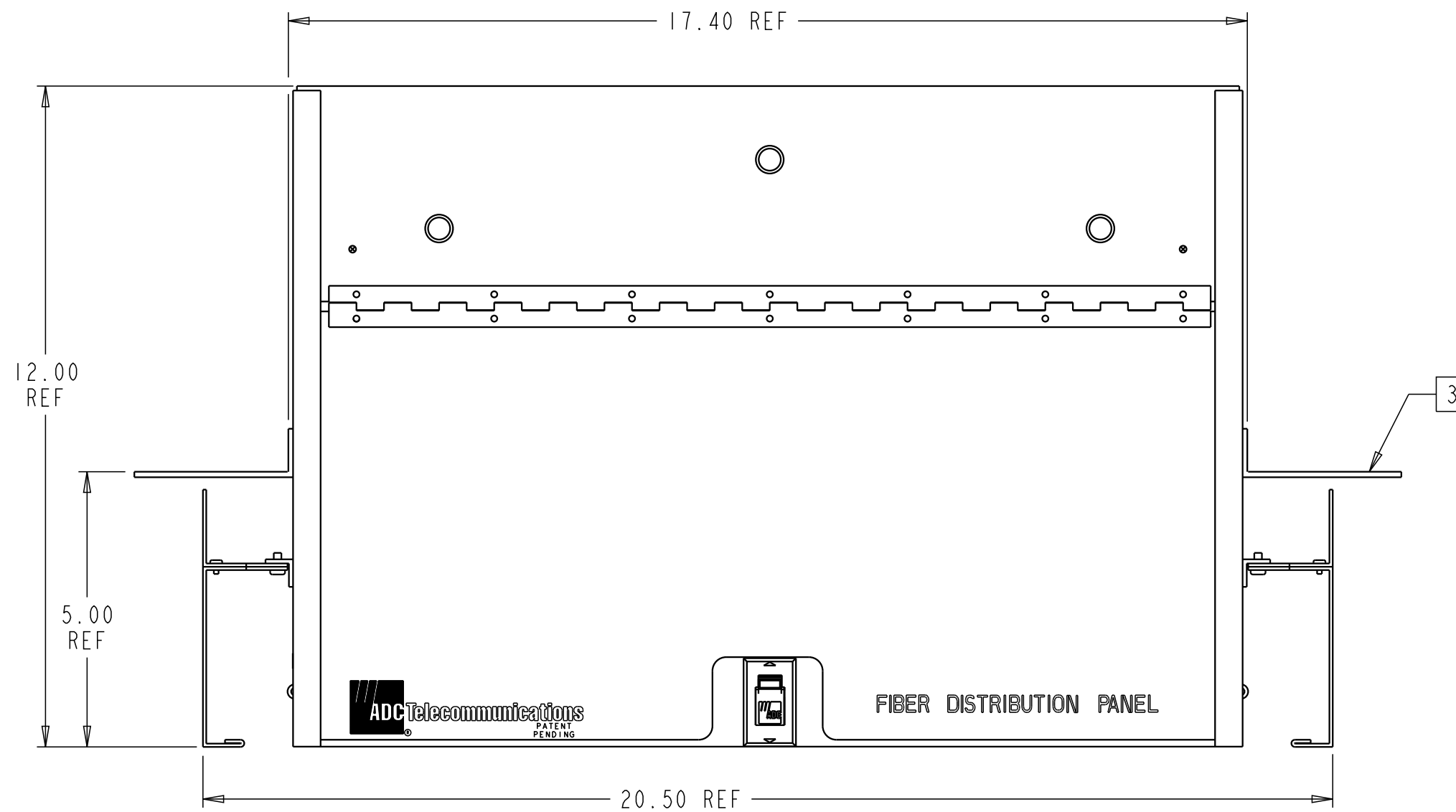
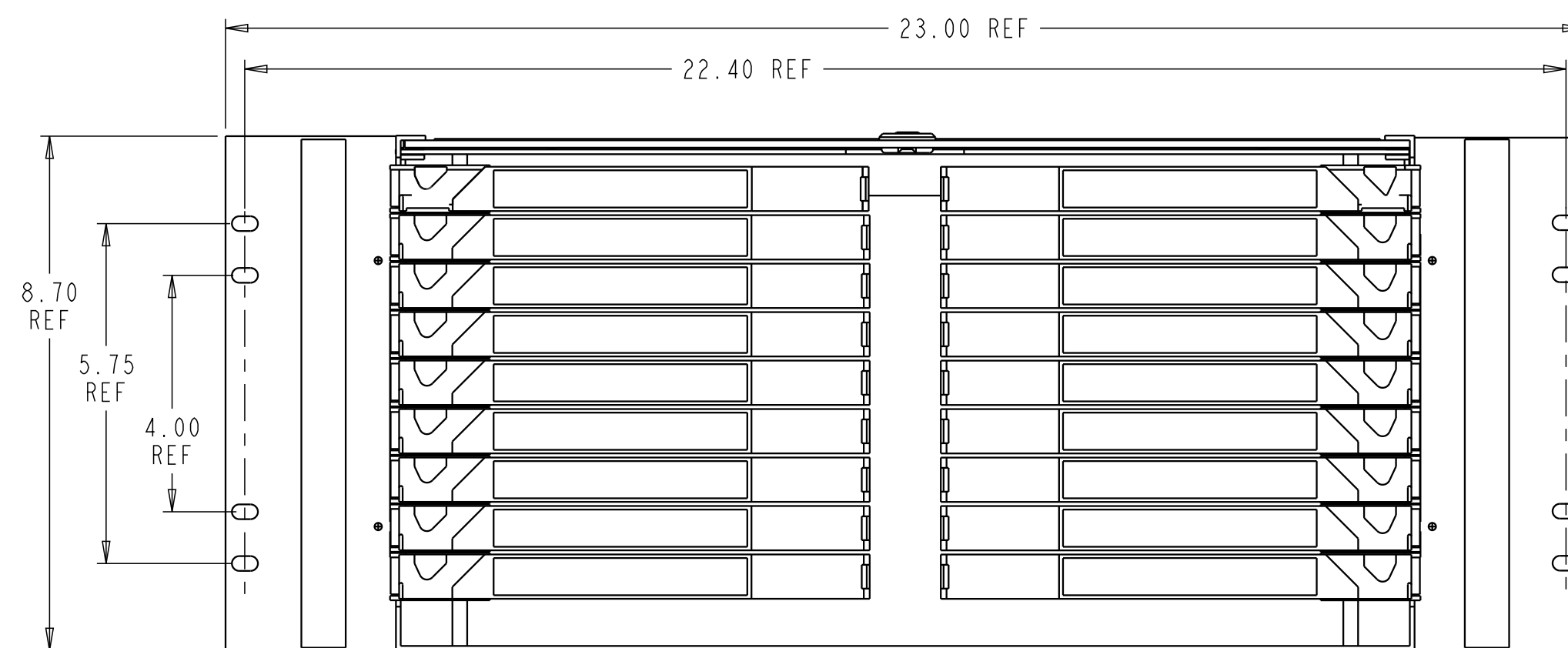


REV.	MCO	DWN	DATE
R	40018756MCO	EAAE	05-JAN-15
T	8000018631	OAVL	29-DEC-16



NOTES:

1. MOUNTING HARDWARE IS INCLUDED WITH EACH UNIT.
2. REFER TO ADC USER'S MANUAL ADCP-90-103 INCLUDED WITH UNIT FOR ORIENTATION AND MAINTENANCE INSTRUCTIONS.
- 3 MOUNTING FLANGES ARE ADJUSTABLE FOR WALL MOUNTING OR MOUNTING INTO 19 AND 23 INCH RACKS.

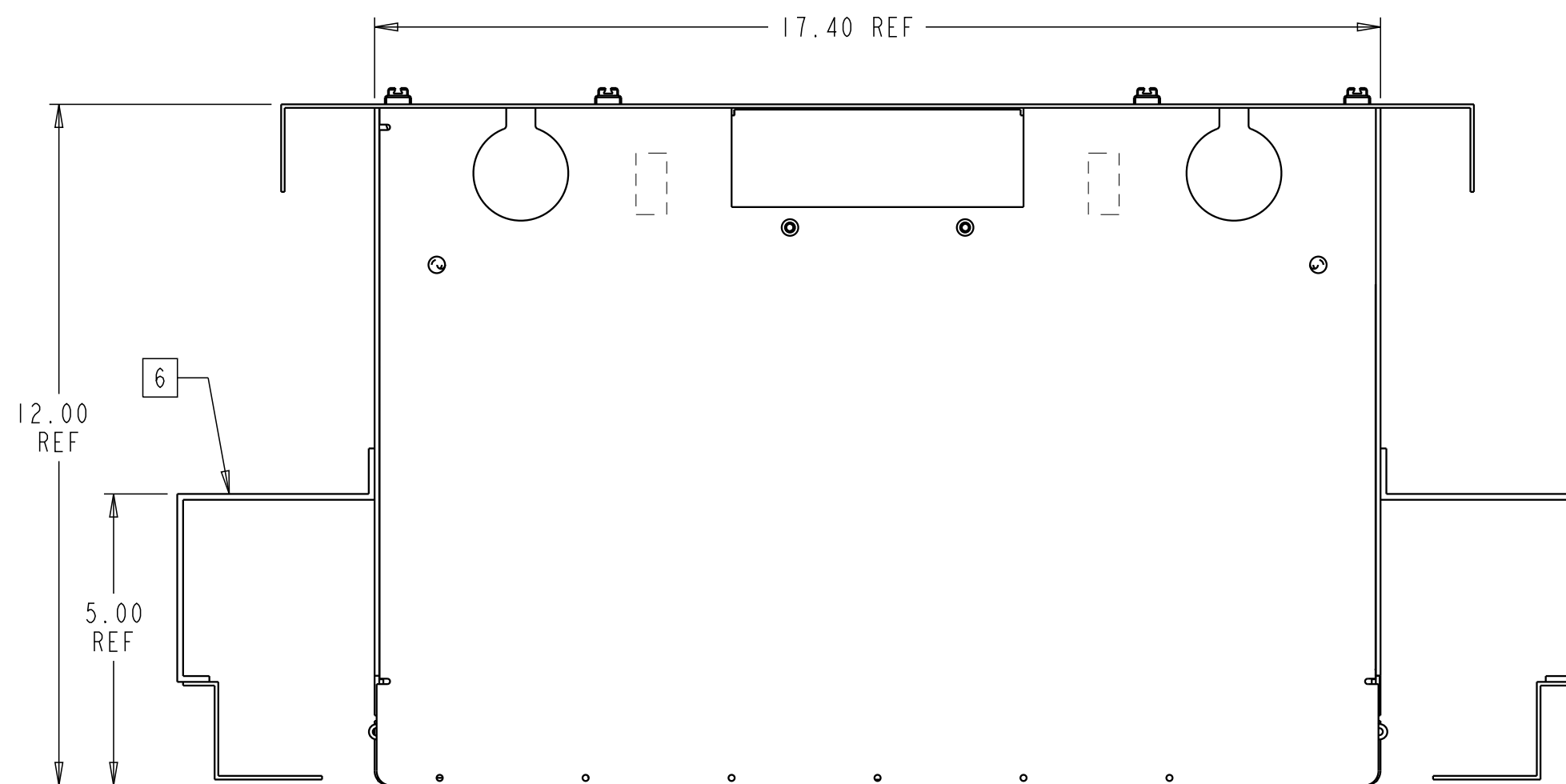


36 POSITION FIBER STORAGE PANEL
REAR ENTRY

COMMSCOPE, INC.

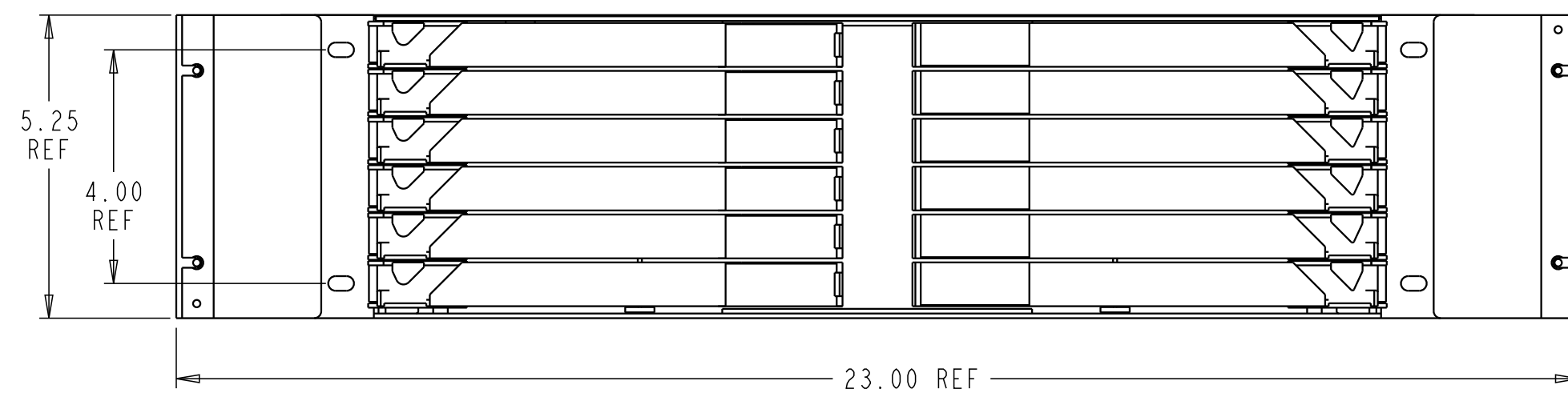
© 2016 COMMSCOPE, INC. CONFIDENTIAL NOTICE: THESE DRAWINGS AND SPECIFICATIONS ARE THE PROPRIETARY PROPERTY OF COMMSCOPE, INC. AND MAY BE USED ONLY FOR THE SPECIFIC PURPOSE AUTHORIZED IN WRITING BY COMMSCOPE, INC.		TITLE FIBER PANEL (INSTL DWG)	
ALL DIMS AND TOLERANCES ARE INCHES UNLESS OTHERWISE SPECIFIED	.XX:±N/A .XXX:±N/A ANGULAR:±N/A	C SIZE DRAWING NUMBER 4-27410-0001	T REV
DO NOT SCALE DRAWING	ENGR: K. PIKIN DWN: J. R FOSTER	SHT. 1 OF 5	

DIMENSIONS IN INCHES
THIRD ANGLE PROJECTION



NOTES:

- 4. DESIGNATION LABELS AND MOUNTING HARDWARE ARE INCLUDED WITH EACH UNIT.
- 5. REFER TO ADC USER'S MANUAL ADCP-90-100 INCLUDED WITH UNIT FOR OPERATING AND MAINTENANCE INSTRUCTIONS.
- 6. MOUNTING BRACKETS ARE ADJUSTABLE FOR MOUNTING IN 19 AND 23 INCH RACKS.



24 POSITION FIBER DISTRIBUTION MODULE

COMMSCOPE, INC.

<small>© 2016 COMMSCOPE, INC. CONFIDENTIAL NOTICE: THESE DRAWINGS AND SPECIFICATIONS ARE THE PROPRIETARY PROPERTY OF COMMSCOPE, INC. AND MAY BE USED ONLY FOR THE SPECIFIC PURPOSE AUTHORIZED IN WRITING BY COMMSCOPE, INC.</small>		TITLE FIBER PANEL (INSTL DWG)	
<small>ALL DIMS AND TOLERANCES ARE INCHES UNLESS OTHERWISE SPECIFIED</small>	<small>.XX:±N/A .XXX:±N/A ANGULAR:±N/A</small>	C SIZE DRAWING NUMBER 4-27410-0001	T REV
DO NOT SCALE DRAWING		ENGR: K. PIKIN DWN: J. R FOSTER	SHT. 2 OF 5



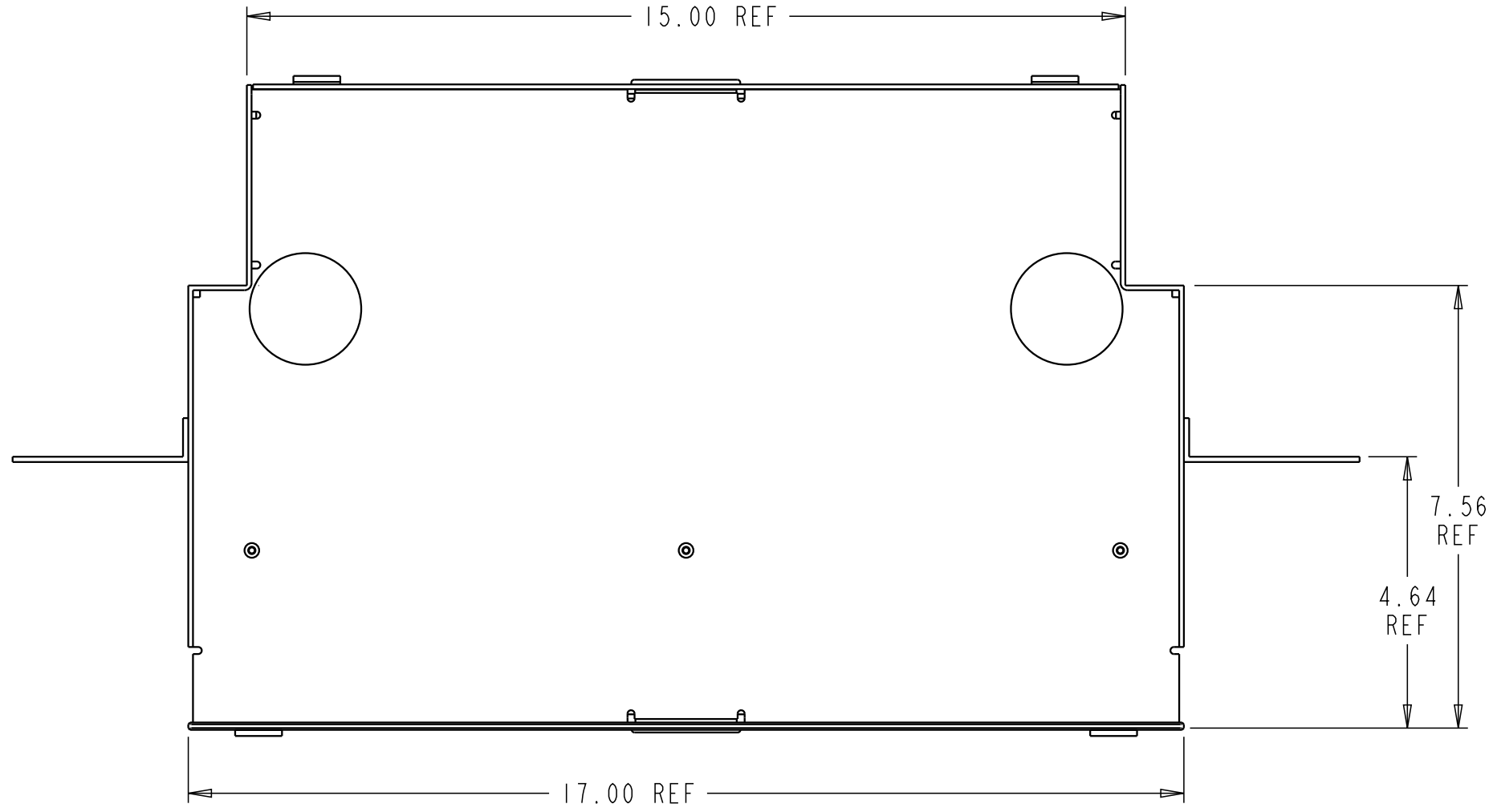
**DIMENSIONS IN INCHES
 THIRD ANGLE PROJECTION**

A

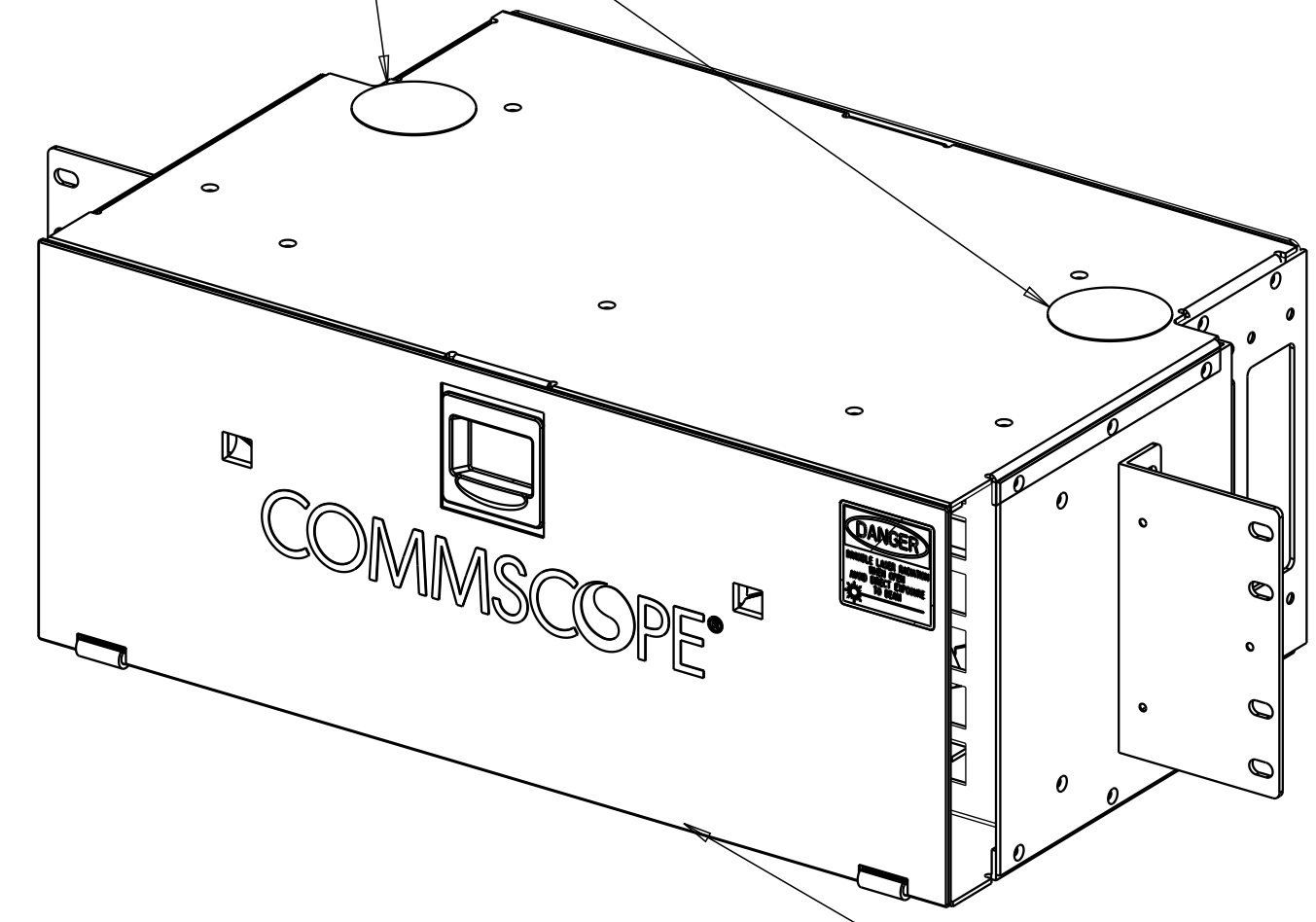
B

C

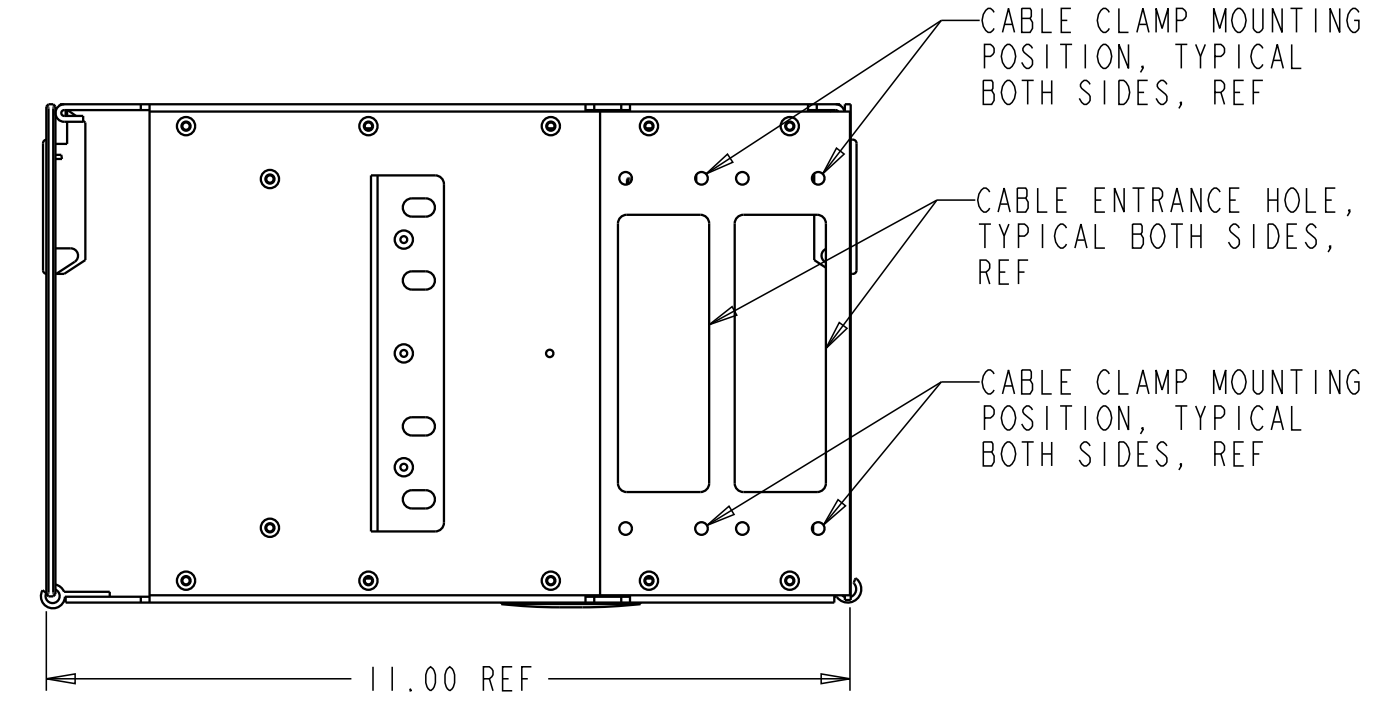
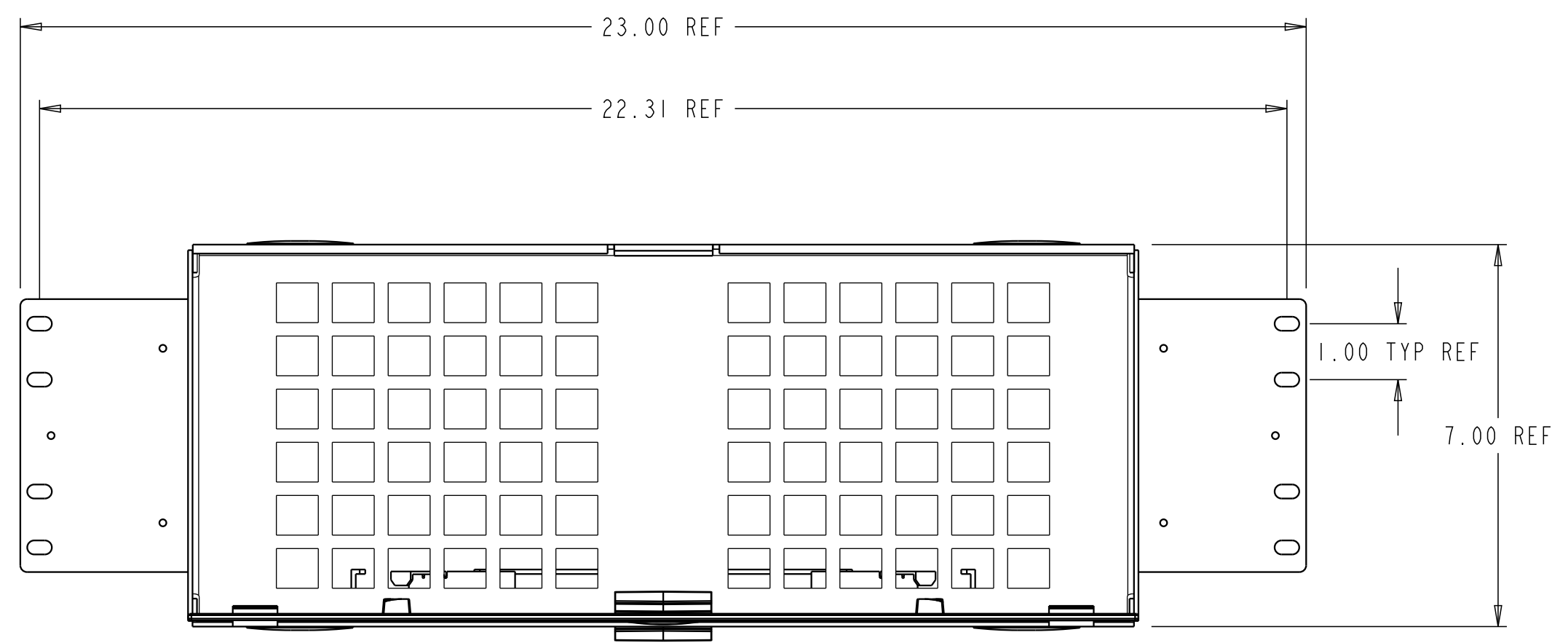
D



INTER-MODULE PIGTAIL ROUTING HOLE, TYPICAL TOP AND BOTTOM



FRONT AND REAR DOOR SWING OPEN 180° AND ARE REMOVEABLE. CIRCUIT DESIGNATION CARD (NOT SHOWN) IS ATTACHED TO INSIDE OF FRONT DOOR, REF



CABLE CLAMP MOUNTING POSITION, TYPICAL BOTH SIDES, REF

CABLE ENTRANCE HOLE, TYPICAL BOTH SIDES, REF

CABLE CLAMP MOUNTING POSITION, TYPICAL BOTH SIDES, REF

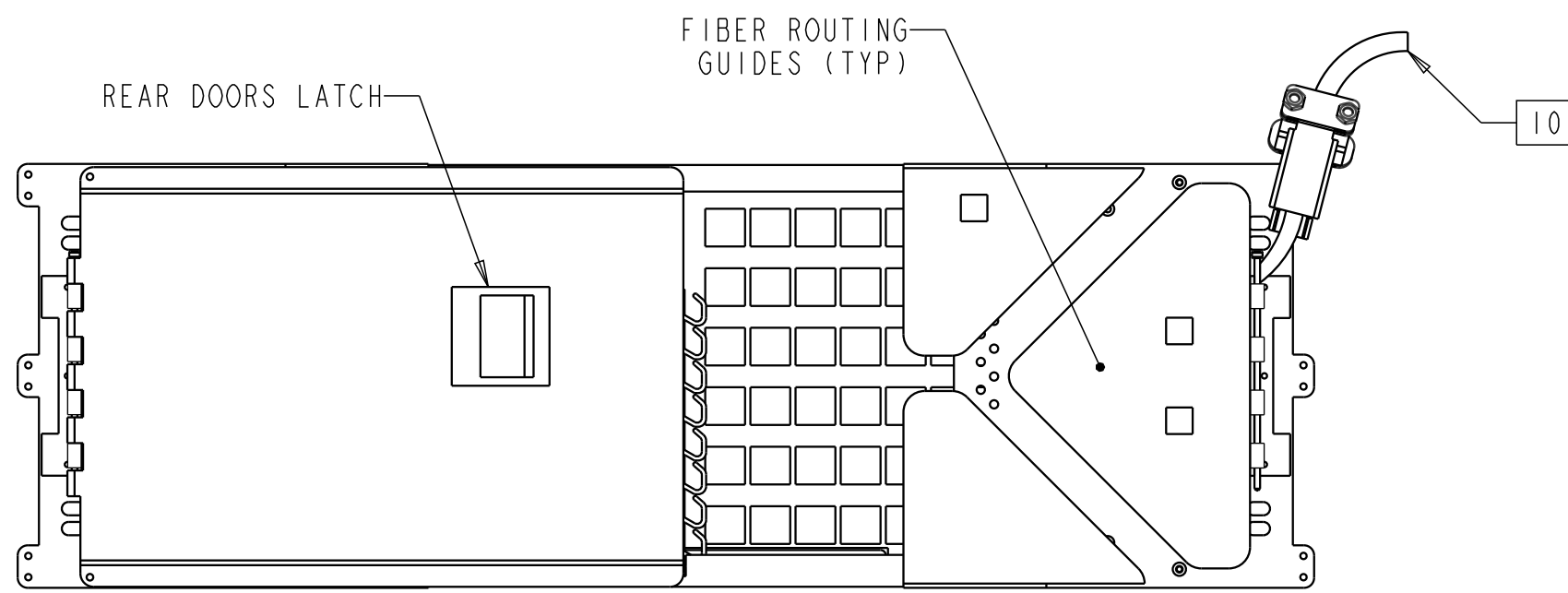
NOTES:

7. MOUNTING HARDWARE IS INCLUDED WITH EACH UNIT.

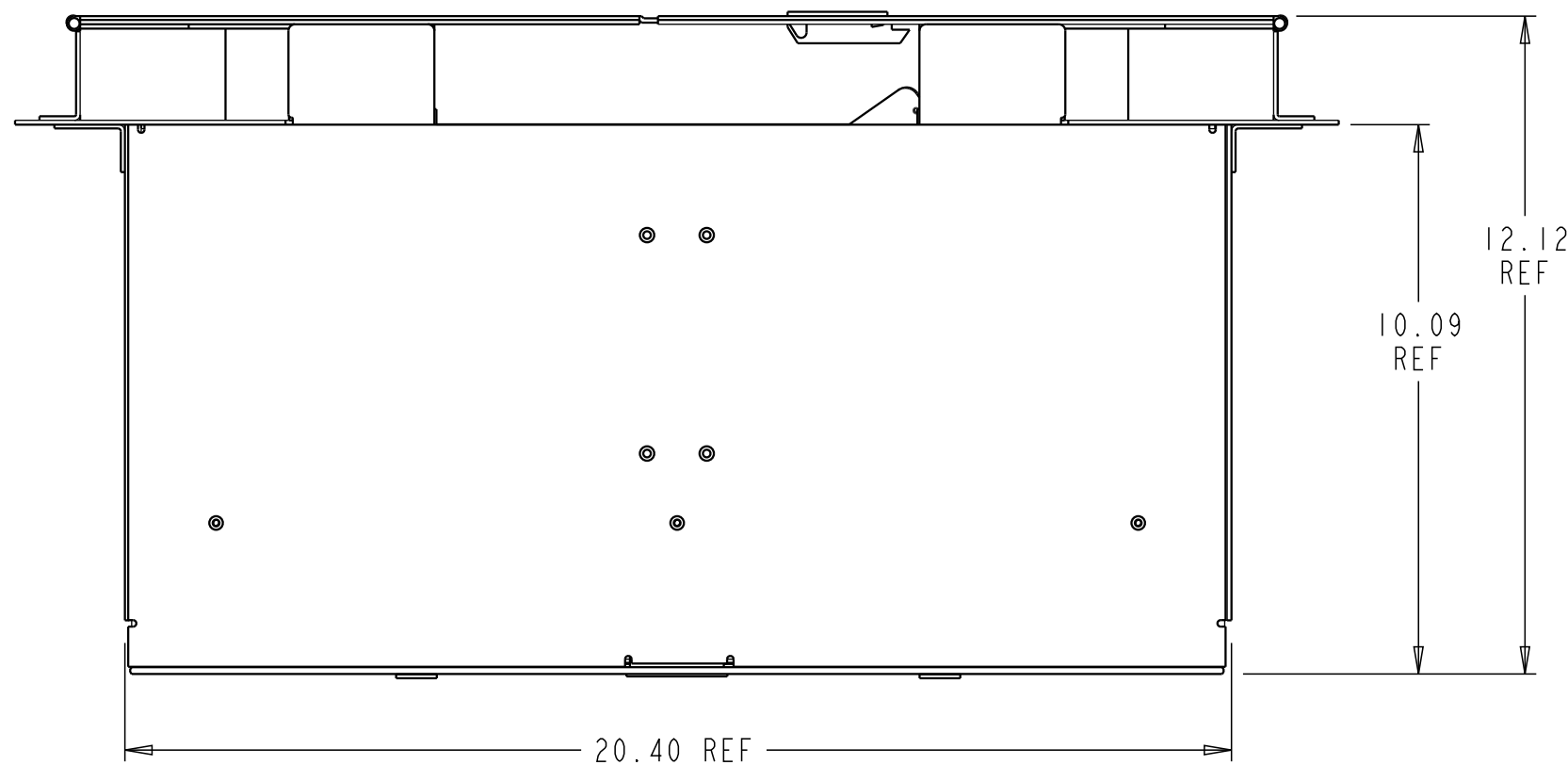
COMMSCOPE, INC.

© 2016 COMMSCOPE, INC. CONFIDENTIAL NOTICE: THESE DRAWINGS AND SPECIFICATIONS ARE THE PROPRIETARY PROPERTY OF COMMSCOPE, INC. AND MAY BE USED ONLY FOR THE SPECIFIC PURPOSE AUTHORIZED IN WRITING BY COMMSCOPE, INC.		TITLE FIBER PANEL (INSTL DWG)	
ALL DIMS AND TOLERANCES ARE INCHES UNLESS OTHERWISE SPECIFIED	.XX:±N/A .XXX:±N/A ANGULAR:±N/A	C SIZE DRAWING NUMBER 4-27410-0001	T REV
DO NOT SCALE DRAWING	ENGR: K. PIKIN DWN: J. R FOSTER	SHT. 3 OF 5	

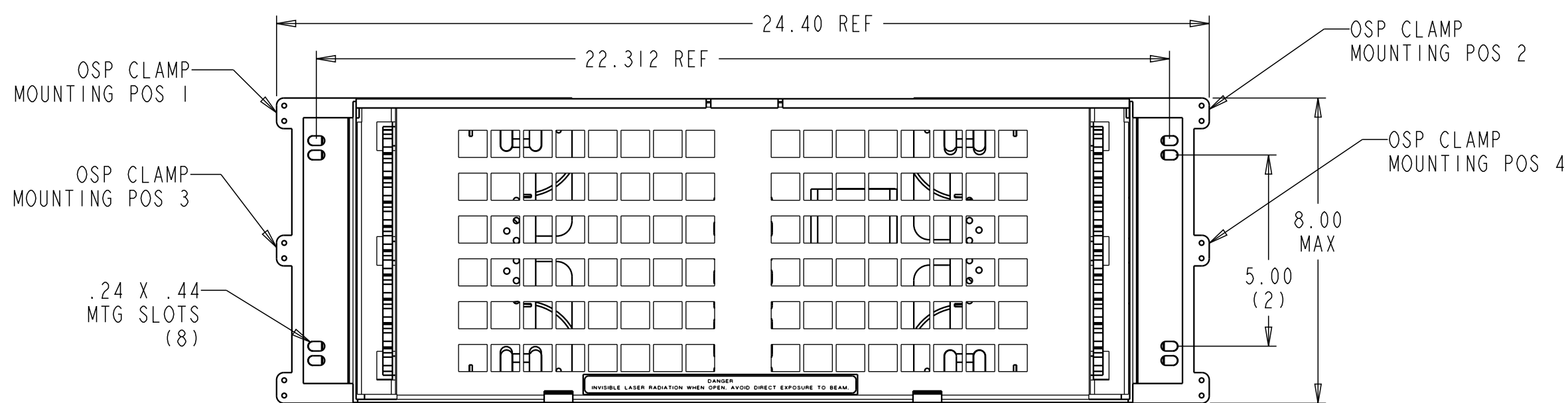
DIMENSIONS IN INCHES
THIRD ANGLE PROJECTION



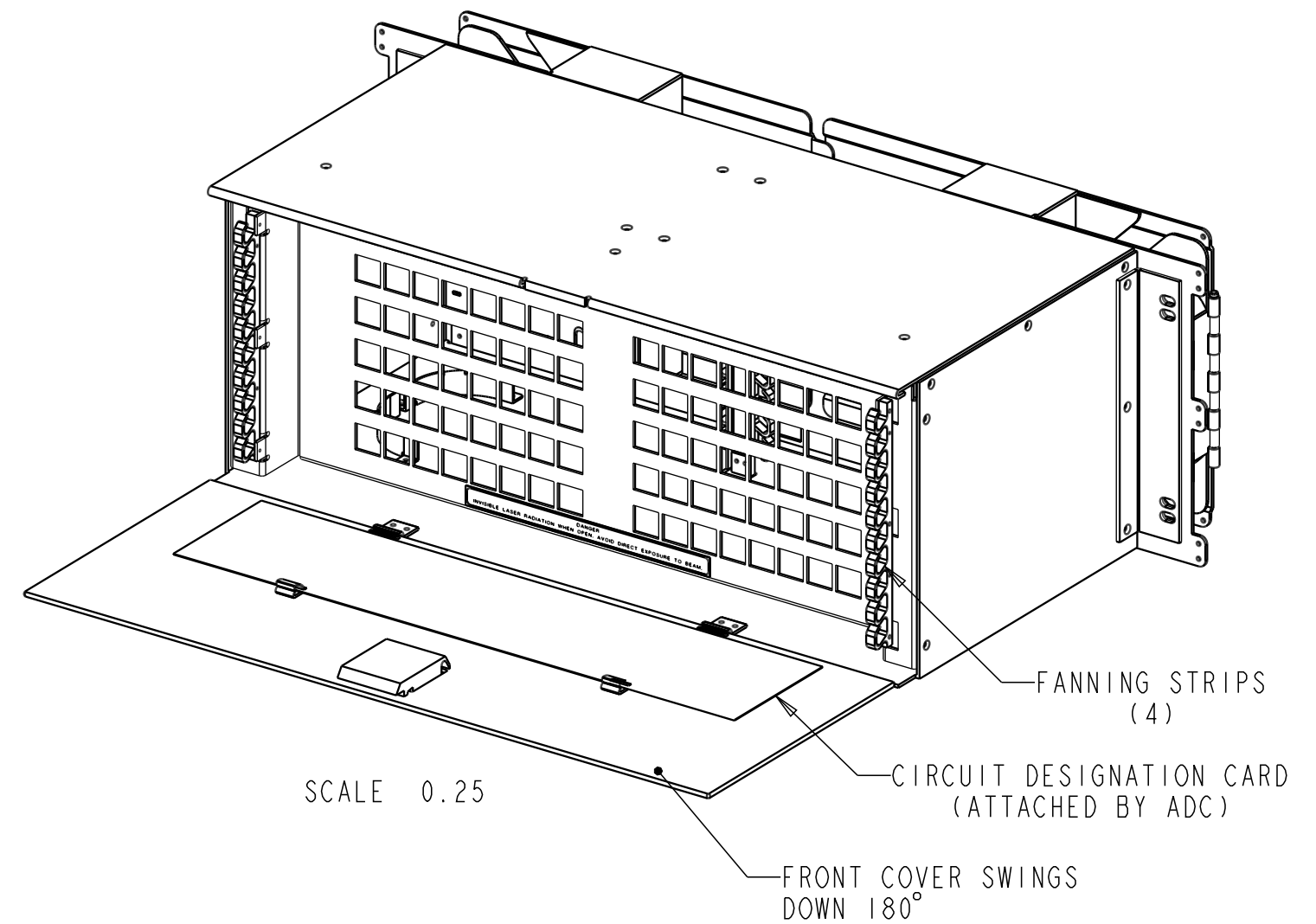
REAR VIEW ROTATED
(RIGHT SIDE DOOR REMOVED)



(TOP VIEW SHOWN WITH CABLE REMOVED)

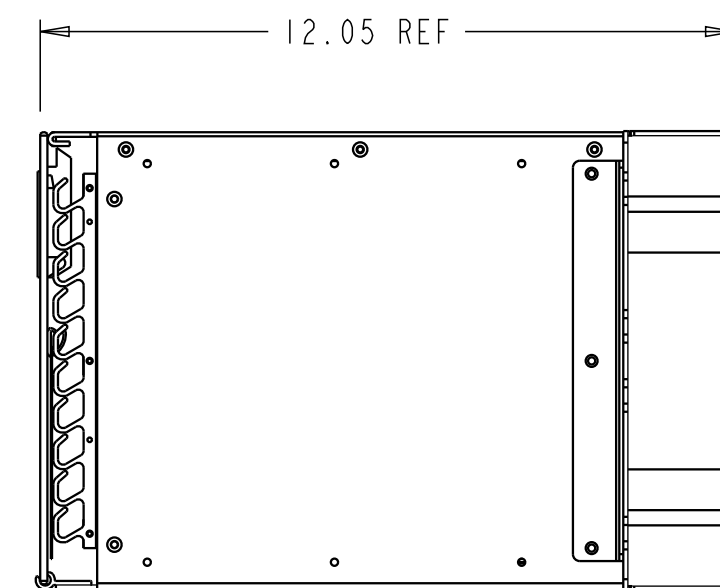


96 POSITION IFC MODULE
(FRONT VIEW SHOWN WITH FRONT COVER AND ADAPTERS/RETAINERS REMOVED)



NOTES:

- 8. WHEN MOUNTING IN RACK, SLIDE MODULE INTO RACK FROM THE REAR SIDE AND SECURE TO REAR RACK FLANGE USING MOUNTING HARDWARE PROVIDED.
- 9. DESIGNATION LABELS AND MOUNTING HARDWARE ARE INCLUDED WITH EACH MODULE.
- 10 FIBER CABLE IS EITHER COILED AND PLACED ON TOP OF MODULE OR WOUND ON CABLE SPOOL.

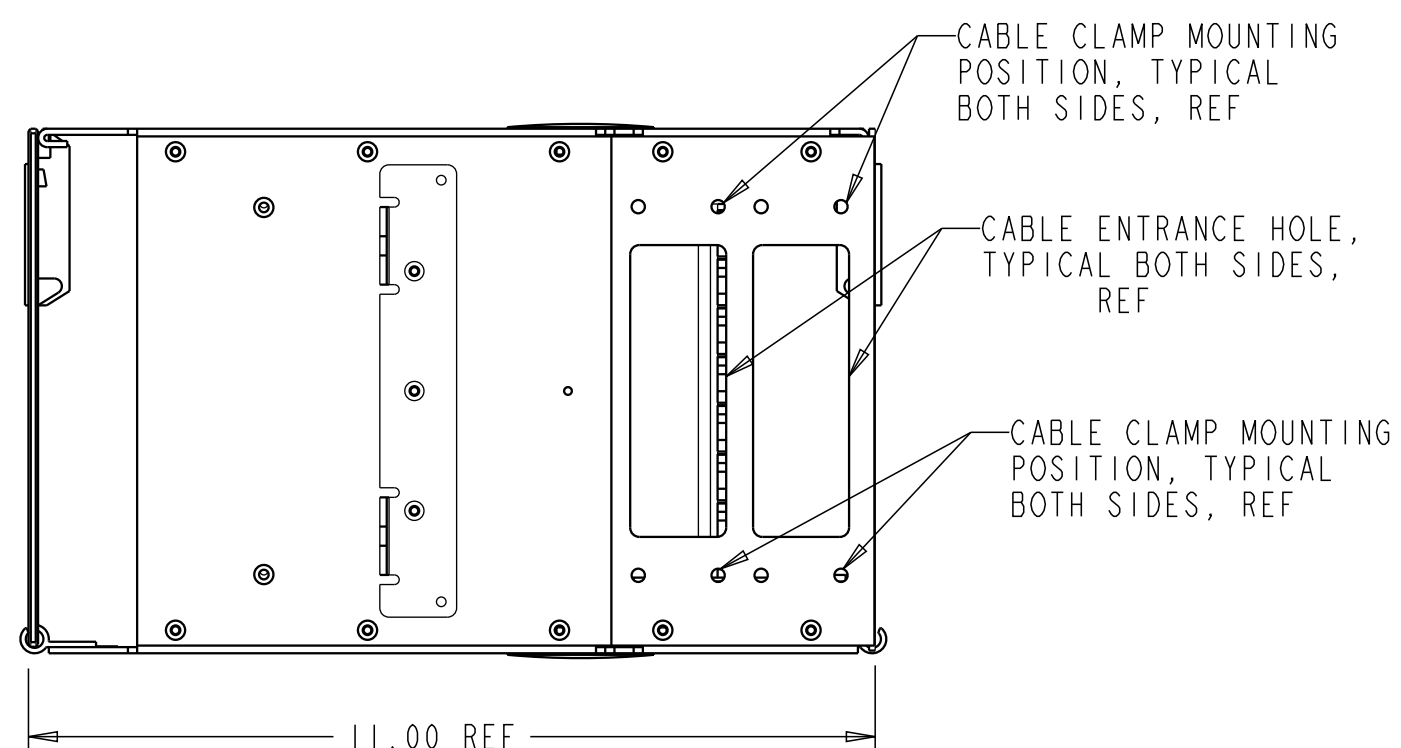
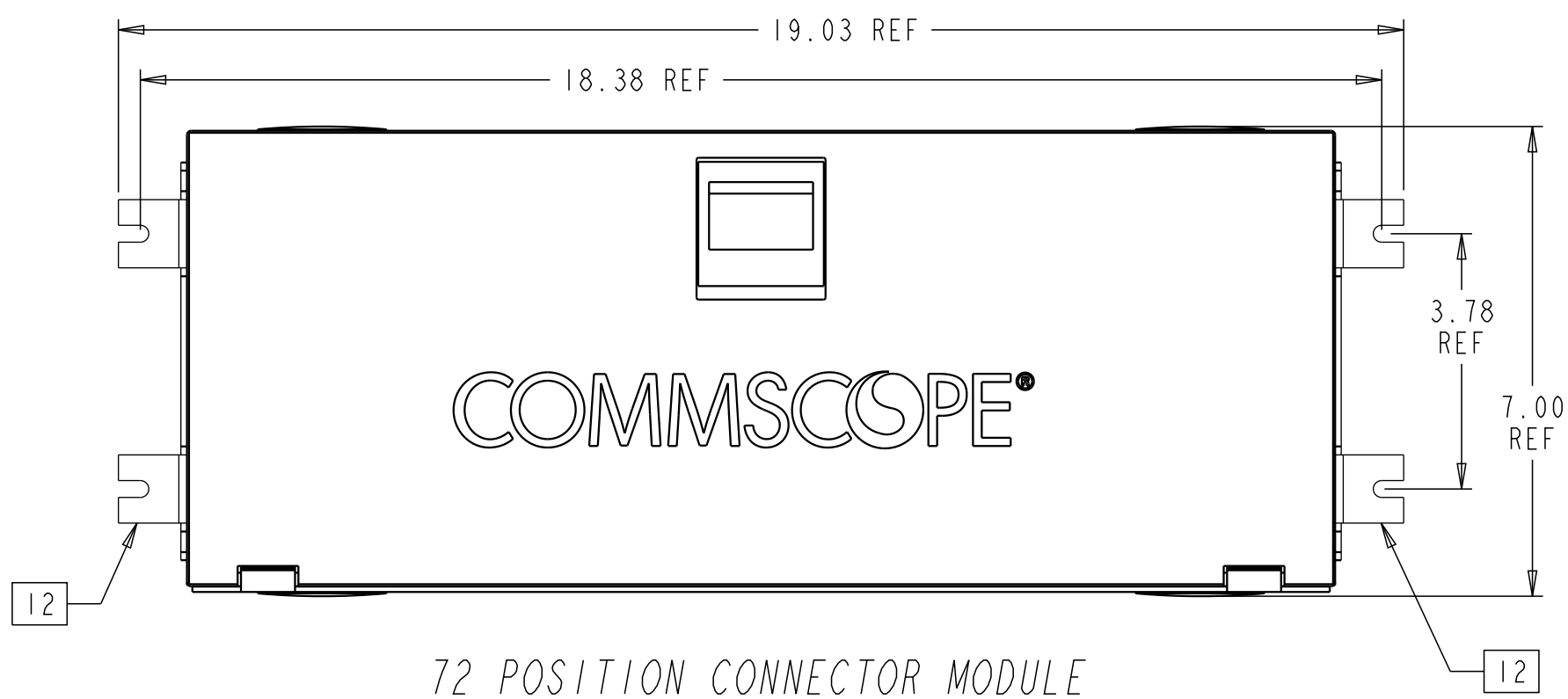
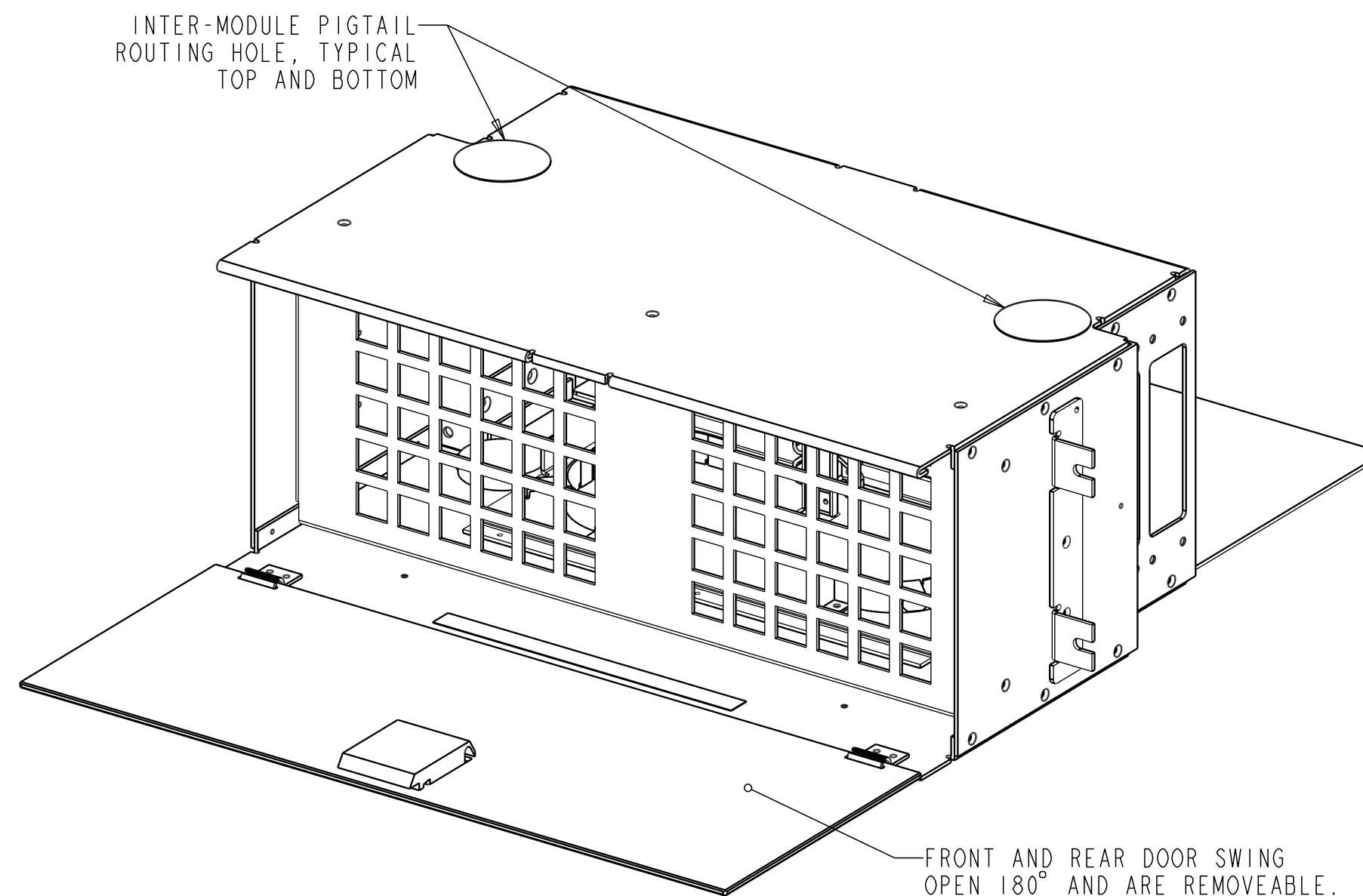
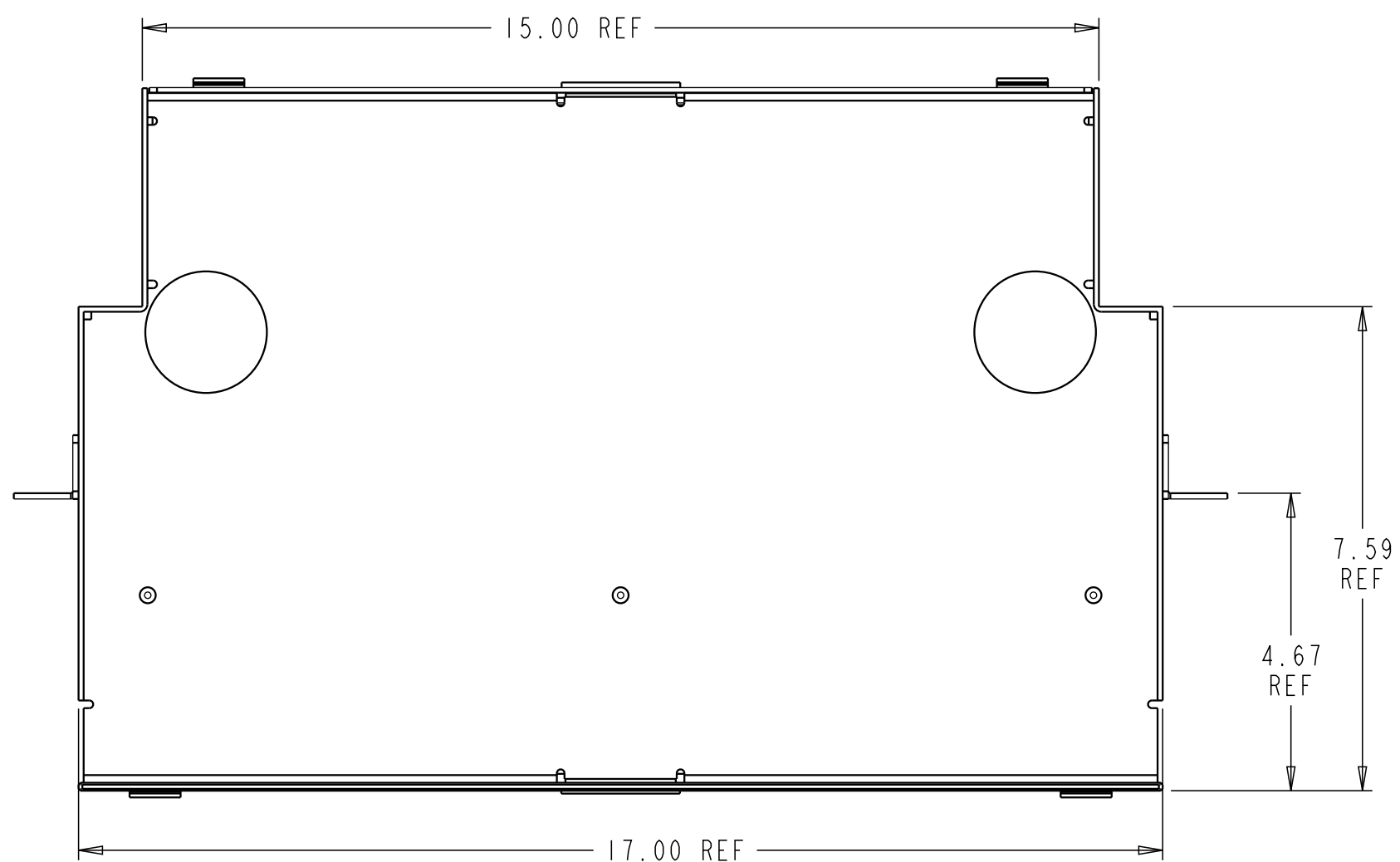


SIDE VIEW

© 2016 COMMSCOPE, INC. CONFIDENTIAL NOTICE: THESE DRAWINGS AND SPECIFICATIONS ARE THE PROPRIETARY PROPERTY OF COMMSCOPE, INC. AND MAY BE USED ONLY FOR THE SPECIFIC PURPOSE AUTHORIZED IN WRITING BY COMMSCOPE, INC.		TITLE FIBER PANEL (INSTL DWG)	
ALL DIMS AND TOLERANCES ARE INCHES UNLESS OTHERWISE SPECIFIED	.XX:±N/A .XXX:±N/A ANGULAR:±N/A	C SIZE	DRAWING NUMBER 4-27410-0001
DO NOT SCALE DRAWING		ENGR: K. PIKIN DWN: J. R FOSTER	T REV
		SHT. 4 OF 5	

COMMSCOPE, INC.

DIMENSIONS IN INCHES
THIRD ANGLE PROJECTION



NOTES:

- 11. MOUNTING HARDWARE IS INCLUDED WITH EACH UNIT.
- 12. REMOVE BRACKETS USED FOR SHIPMENT AND DISCARD. REPLACE WITH BRACKETS INCLUDED WITH MODULE (PICTURED) USING SAME SCREWS.
- 13. MODULE REQUIRES (2) VERTICAL CABLE GUIDES (FDF-ACC173 ORDERED SEPARATELY) TO MOUNT IN A 23" FRAME.

COMMSCOPE, INC.

<small>© 2016 COMMSCOPE, INC. CONFIDENTIAL NOTICE: THESE DRAWINGS AND SPECIFICATIONS ARE THE PROPRIETARY PROPERTY OF COMMSCOPE, INC. AND MAY BE USED ONLY FOR THE SPECIFIC PURPOSE AUTHORIZED IN WRITING BY COMMSCOPE, INC.</small>		TITLE FIBER PANEL (INSTL DWG)	
<small>ALL DIMS AND TOLERANCES ARE INCHES UNLESS OTHERWISE SPECIFIED</small>	<small>.XX:±N/A .XXX:±N/A ANGULAR:±N/A</small>	C SIZE 4-27410-0001	T REV
DO NOT SCALE DRAWING		ENGR: K. PIKIN DWN: J. R FOSTER	SHT. 5 OF 5

**DIMENSIONS IN INCHES
 THIRD ANGLE PROJECTION**