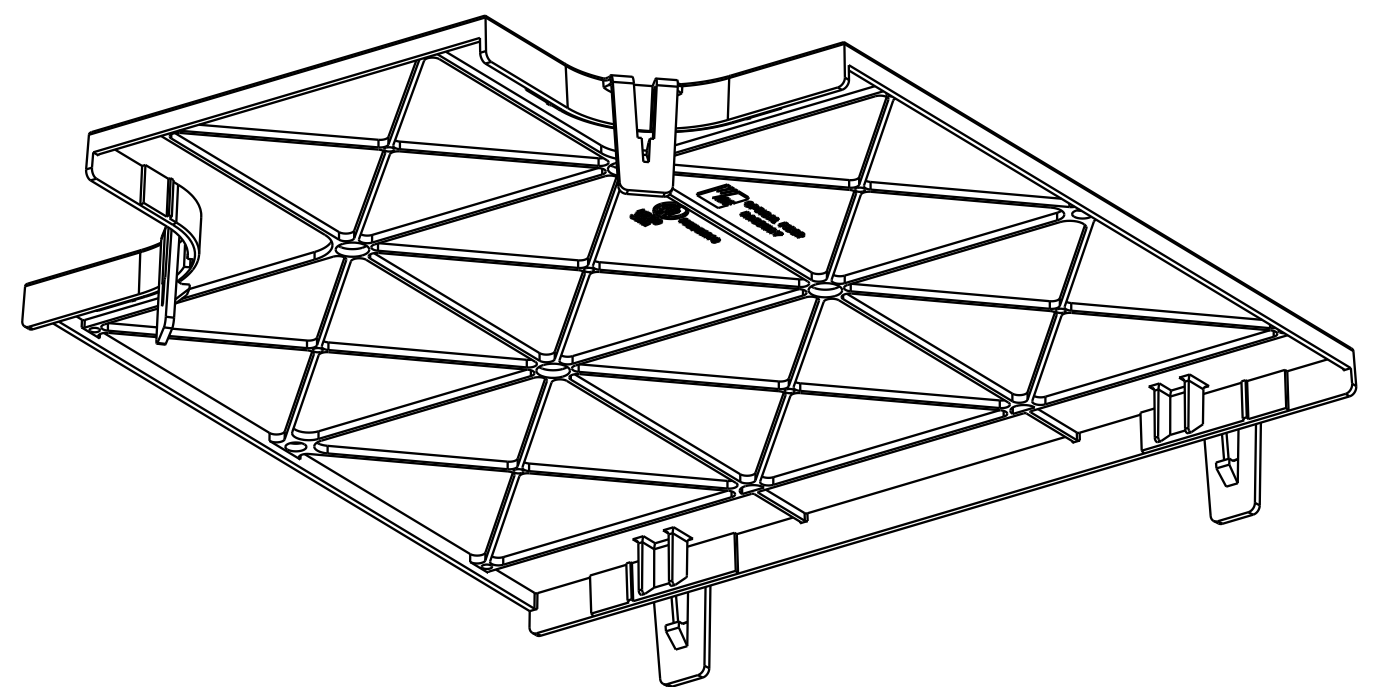
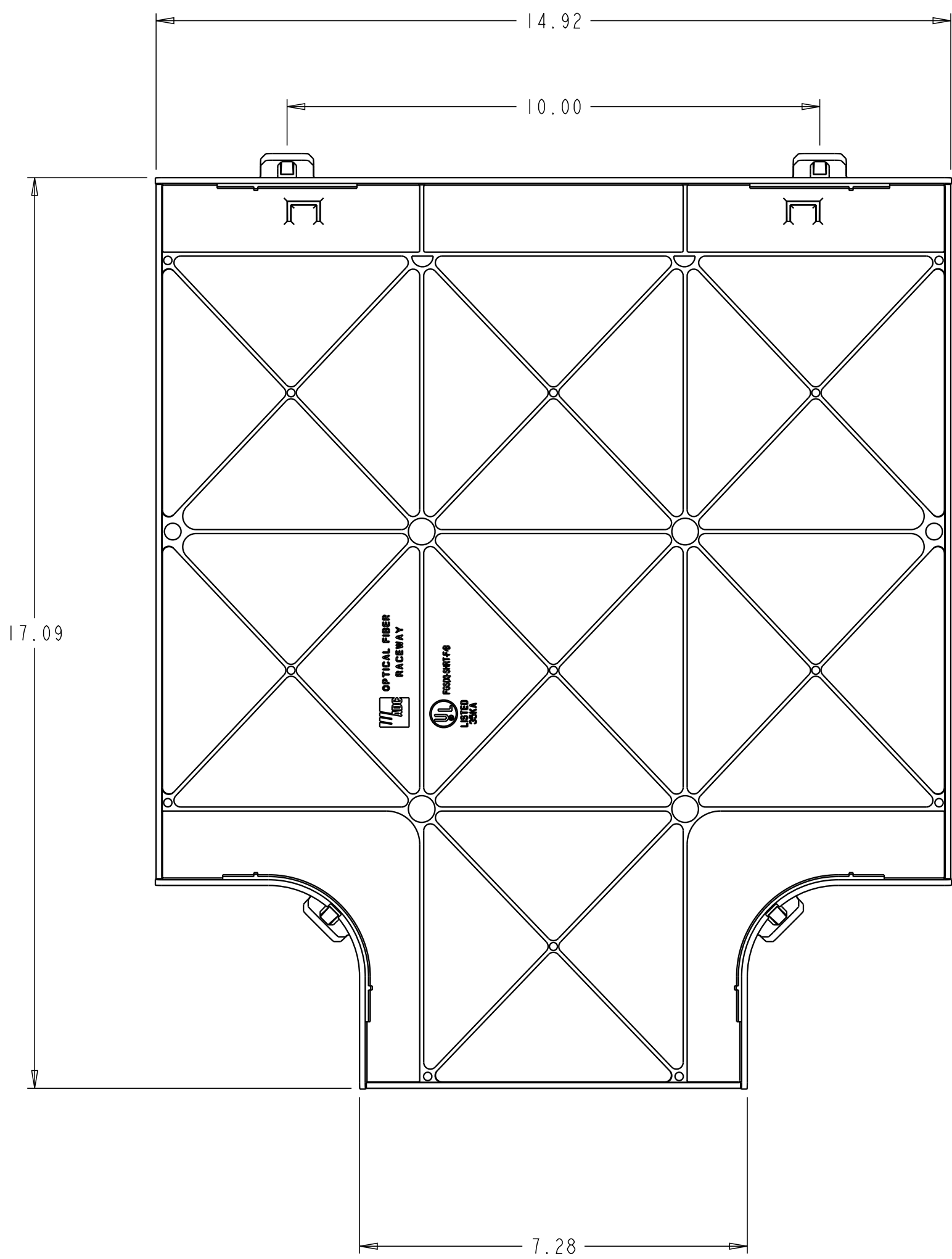


REV.	MCO	DWN	DATE
A	40018453MCO	OAVL	01-DEC-14
B	40032679MCO	IAV	04-AUG-16



**NOTES:**

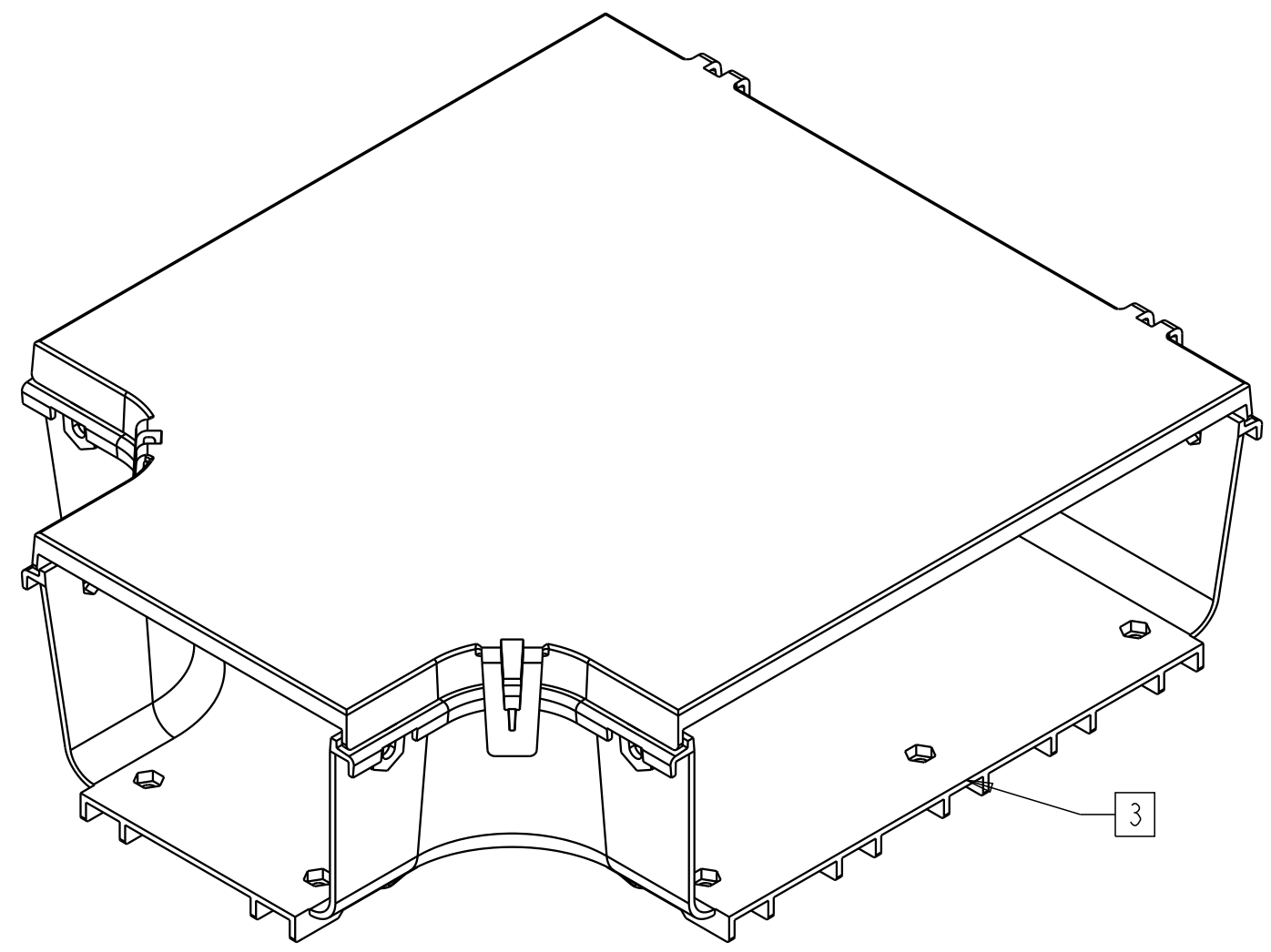
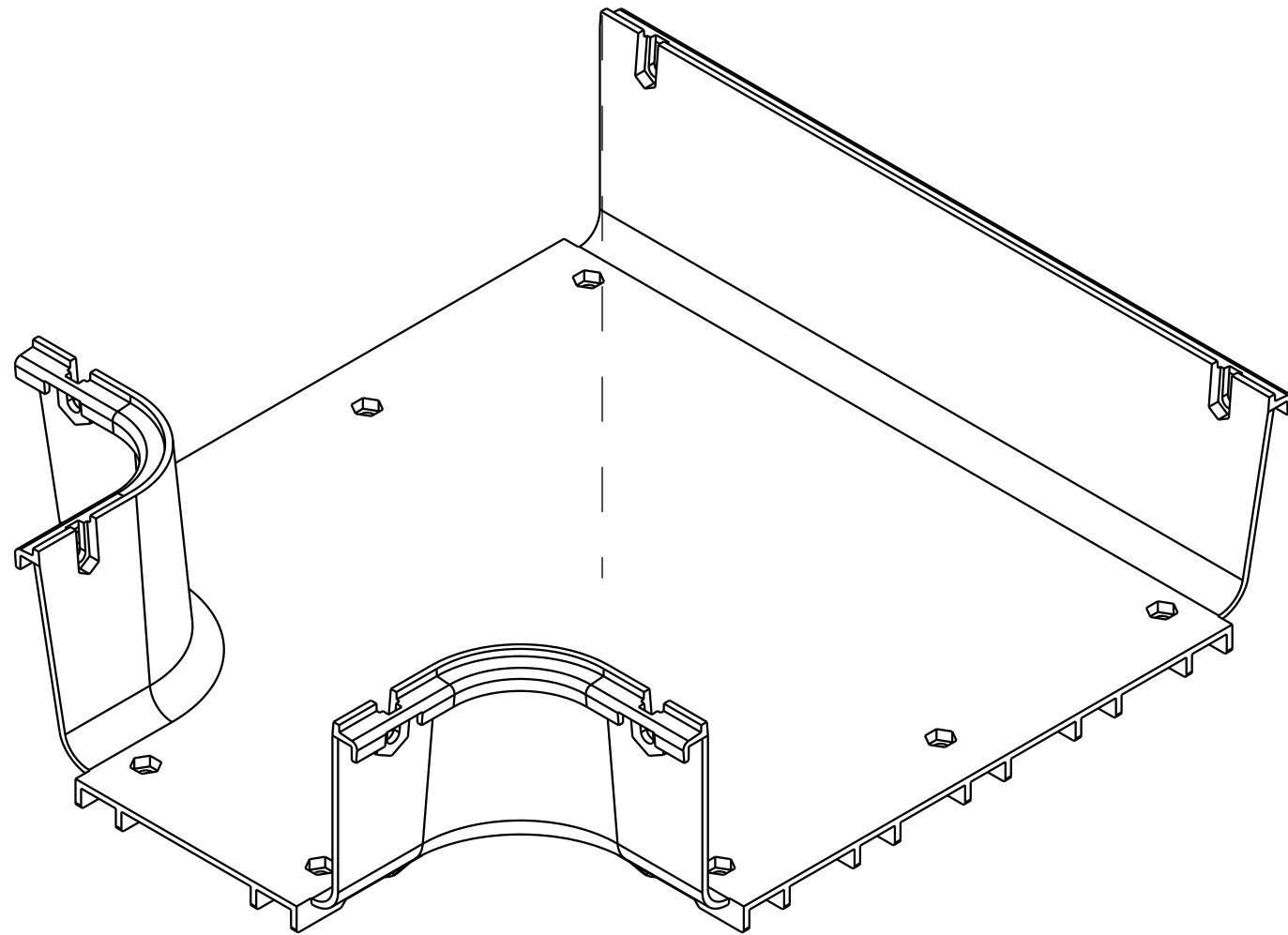
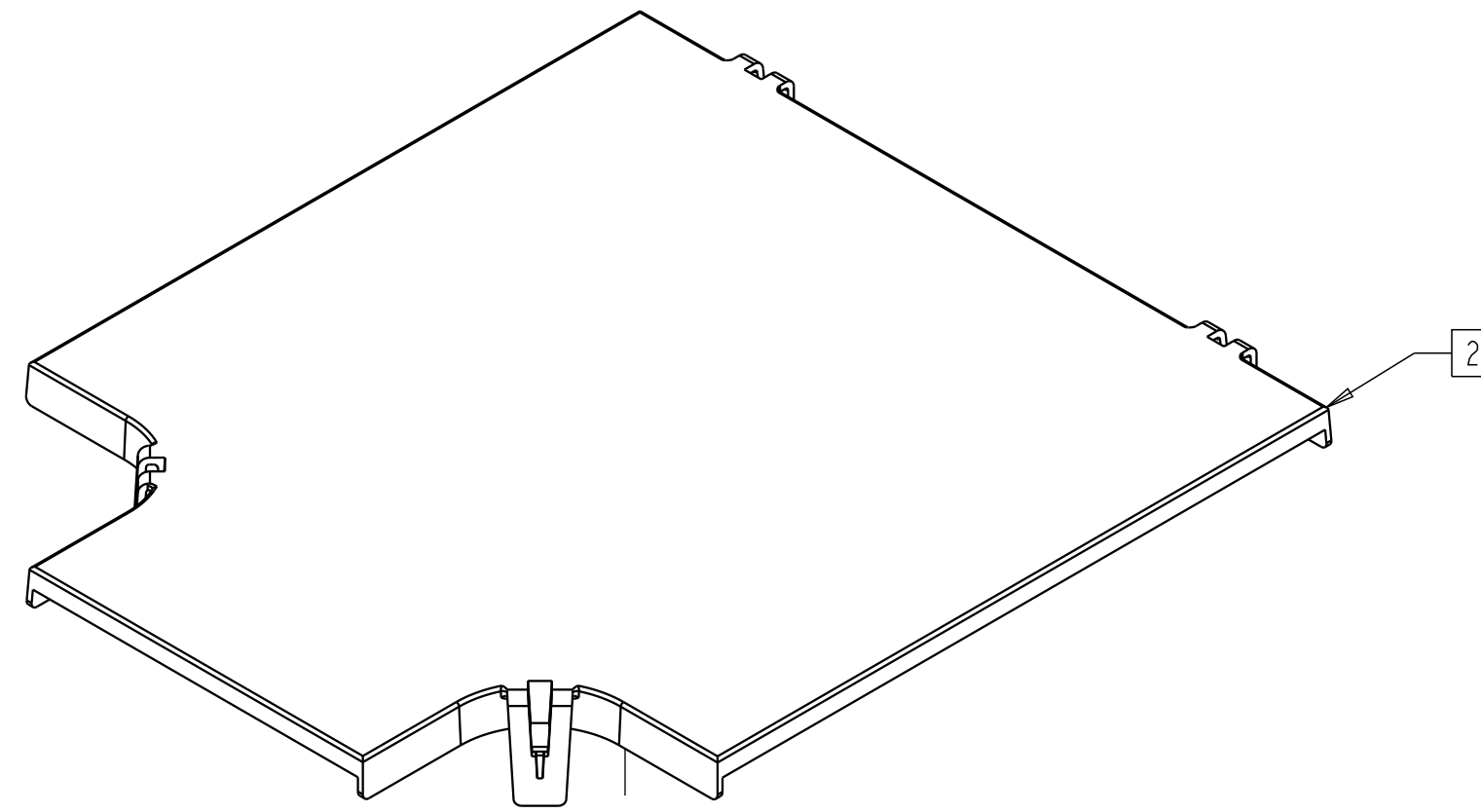
- 1. MATERIAL IS SELF EXTINGUISHING WITH A UL 94 RATING OF V-0.

FGSB-SHRT-F/B	BLACK
FGS-SHRT-F/B	YELLOW
<b>CATALOG NUMBER</b>	<b>COLOR</b>

<small>© 2016 COMMSCOPE, INC. CONFIDENTIAL          NOTICE: THESE DRAWINGS AND SPECIFICATIONS ARE THE PROPRIETARY PROPERTY OF COMMSCOPE, INC. AND MAY BE USED ONLY FOR THE SPECIFIC PURPOSE AUTHORIZED IN WRITING BY COMMSCOPE, INC.</small>	<small>TITLE</small> <b>COVER TEE, 4X12/4X6 EXIT (INSTALLATION DRW)</b>	
	<small>ALL DIMS AND TOLERANCES ARE INCHES UNLESS OTHERWISE SPECIFIED</small> .XX:±REF .XXX:±REF ANGULAR:±REF	<small>DRAWING NUMBER</small> <b>300100107425</b>
<small>DO NOT SCALE DRAWING</small>	<small>ENGR: HECTOR URENO</small> <small>DWN: OMAR A. VALDEZ</small>	<small>SHT. 1 OF 2</small>

COMMSCOPE, INC.

**DIMENSIONS IN INCHES  
 THIRD ANGLE PROJECTION**



COVER ASSEMBLY

**NOTES:**

2 PLACE THE COVER ON THE TEE AND APPLY PRESSURE UNTIL THE CLIP SECURES THE COVER IN PLACE.

3 NOT INCLUDED WITH KIT.

COMMSCOPE, INC.

<small>© 2016 COMMSCOPE, INC. CONFIDENTIAL          NOTICE: THESE DRAWINGS AND SPECIFICATIONS ARE THE PROPRIETARY PROPERTY OF COMMSCOPE, INC. AND MAY BE USED ONLY FOR THE SPECIFIC PURPOSE AUTHORIZED IN WRITING BY COMMSCOPE, INC.</small>		TITLE COVER TEE, 4X12/4X6 EXIT (INSTALLATION DRW)	
<small>ALL DIMS AND TOLERANCES ARE INCHES UNLESS OTHERWISE SPECIFIED</small>	<small>.XX:±REF .XXX:±REF ANGULAR:±REF</small>	C SIZE DRAWING NUMBER 300100107425	B REV
DO NOT SCALE DRAWING		ENGR: HECTOR URENO DWN: OMAR A. VALDEZ	SHT. 2 OF 2

DIMENSIONS IN INCHES  
 THIRD ANGLE PROJECTION