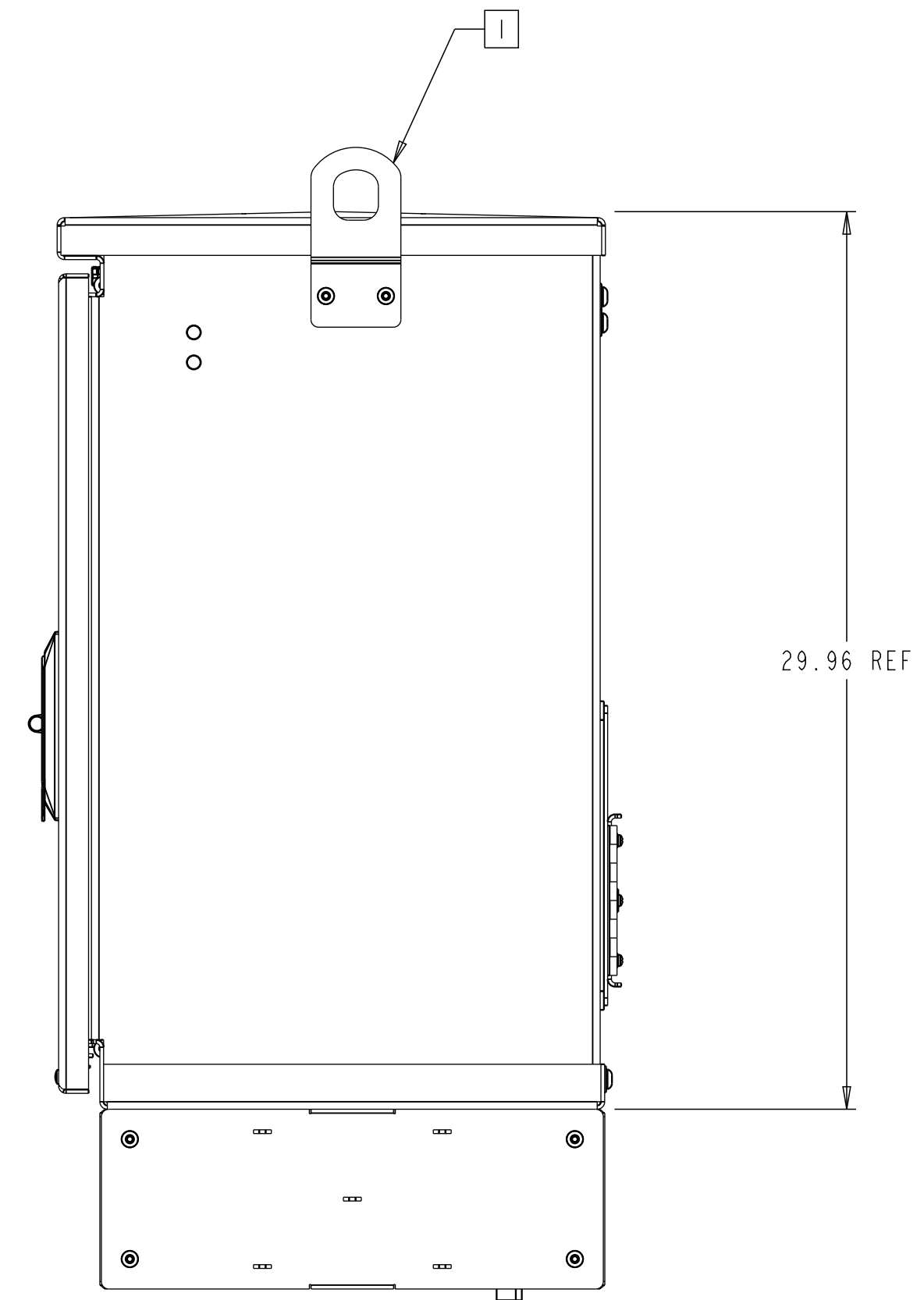
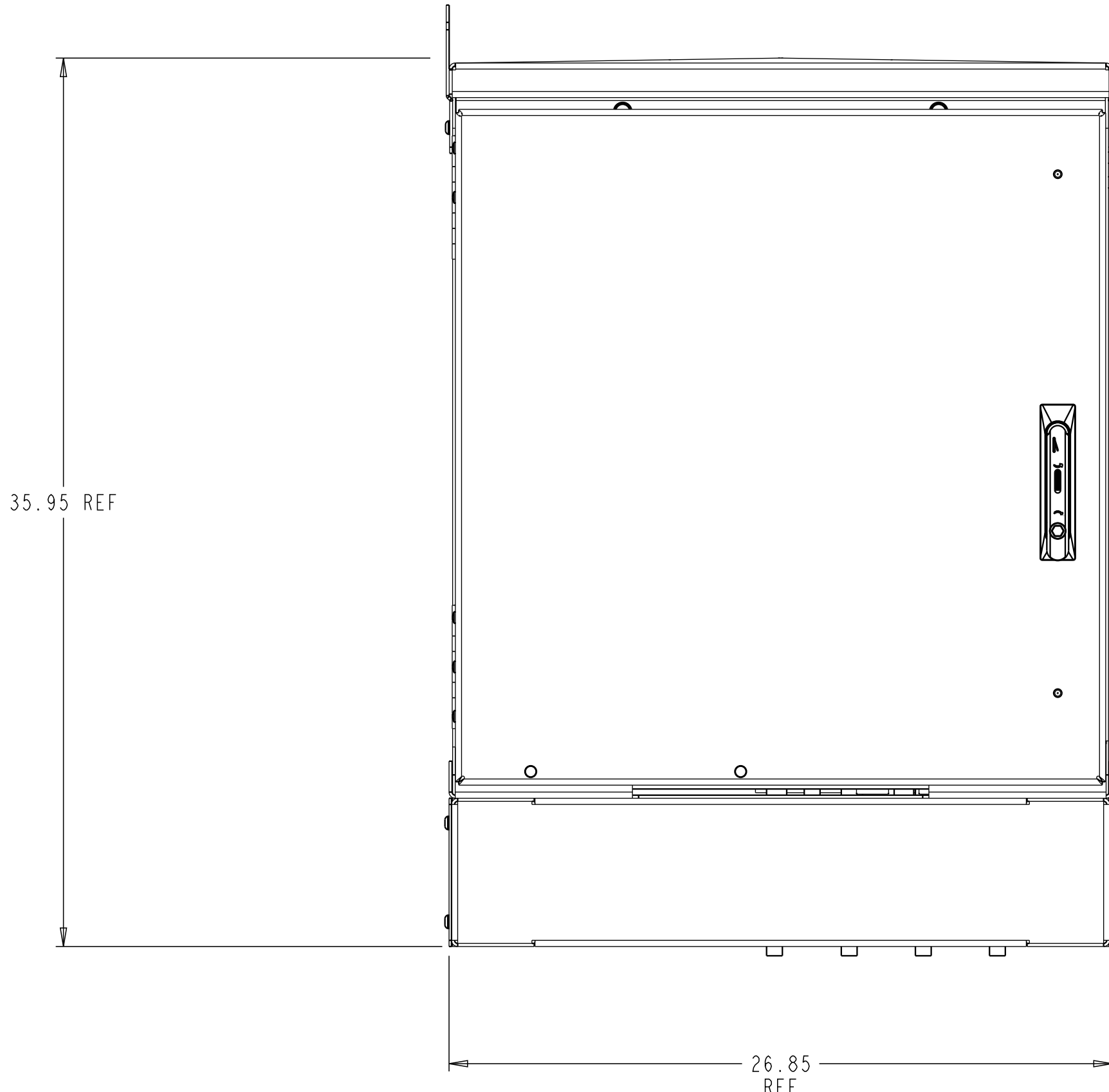
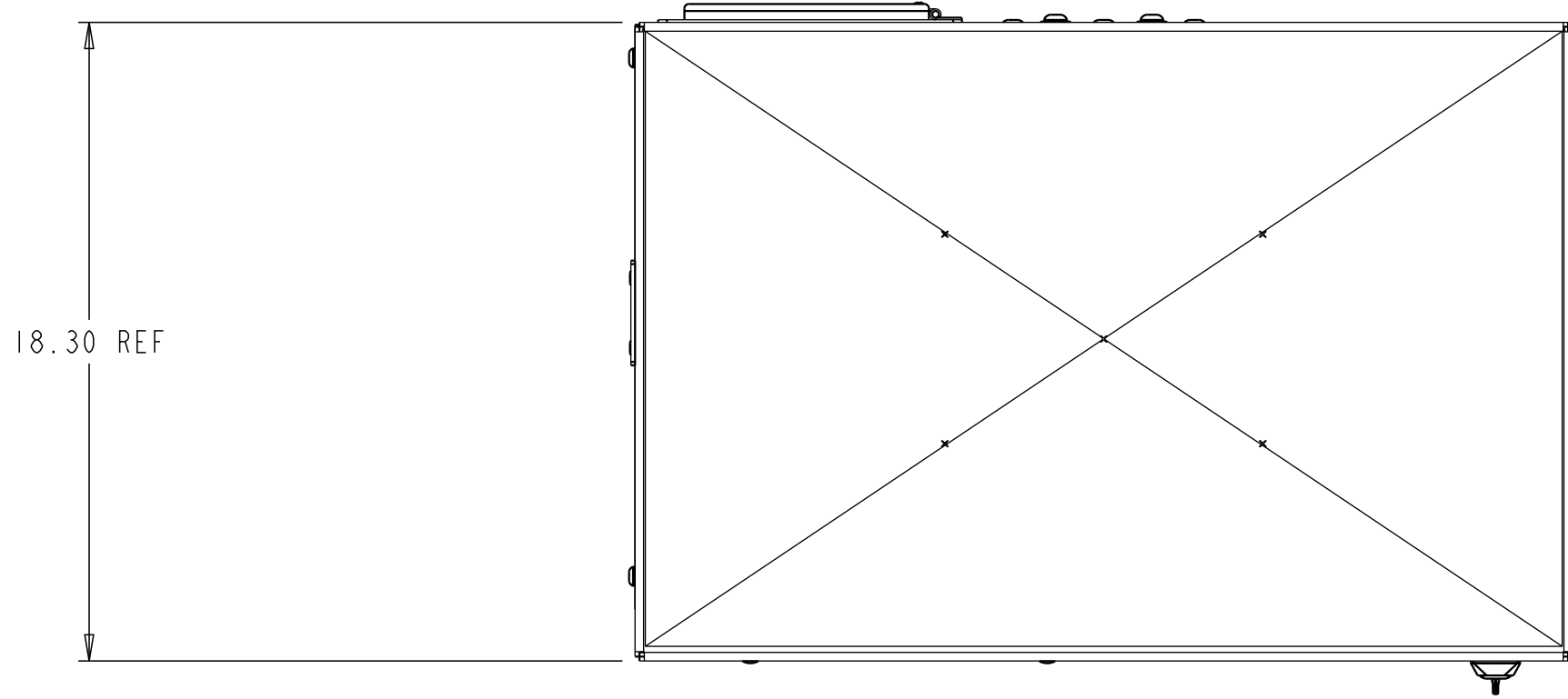


REV.	MCO	DWN	DATE
B	40021194MCO	JST	20-APR-15
C	8000018625	NERI	03-JAN-17



NOTES:

- 1 REMOVE LIFTING LUGS AND DISCARD THEM
- 2 PADLOCK IS NOT PROVIDED.

COMMSCOPE, INC.

© 2016 COMMSCOPE, INC. CONFIDENTIAL NOTICE: THESE DRAWINGS AND SPECIFICATIONS ARE THE PROPRIETARY PROPERTY OF COMMSCOPE, INC. AND MAY BE USED ONLY FOR THE SPECIFIC PURPOSE AUTHORIZED IN WRITING BY COMMSCOPE, INC.		TITLE INSTALLATION DRAWING, 288 FDH3000	
ALL DIMS AND TOLERANCES ARE INCHES UNLESS OTHERWISE SPECIFIED	.XX:±N/A .XXX:±N/A ANGULAR:±N/A	C SIZE	DRAWING NUMBER 300100107284
DO NOT SCALE DRAWING	ENGR: JORGE SOTO DWN: JORGE SOTO	SHT. 1 OF 4	

DIMENSIONS IN INCHES
THIRD ANGLE PROJECTION

A

B

C

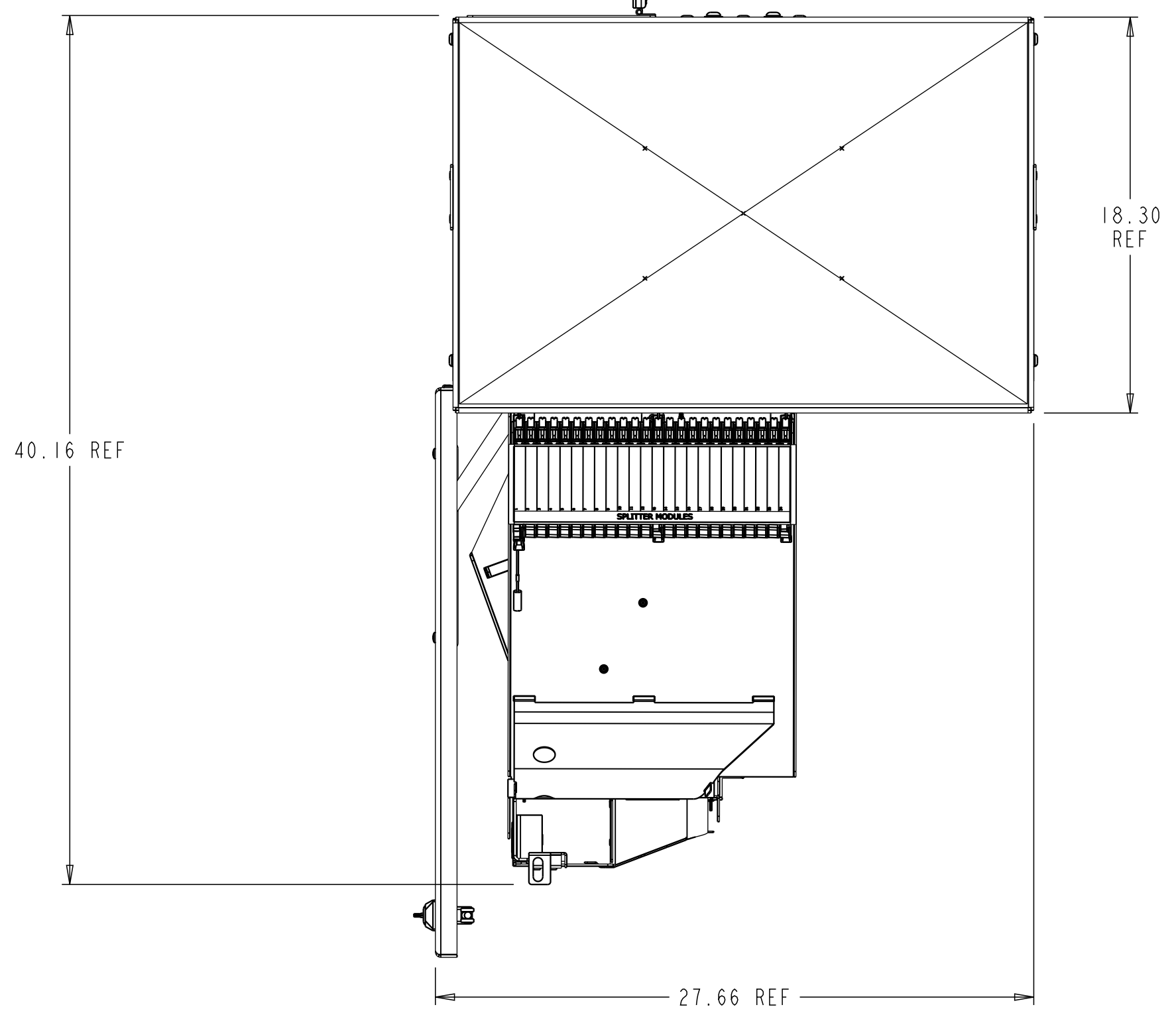
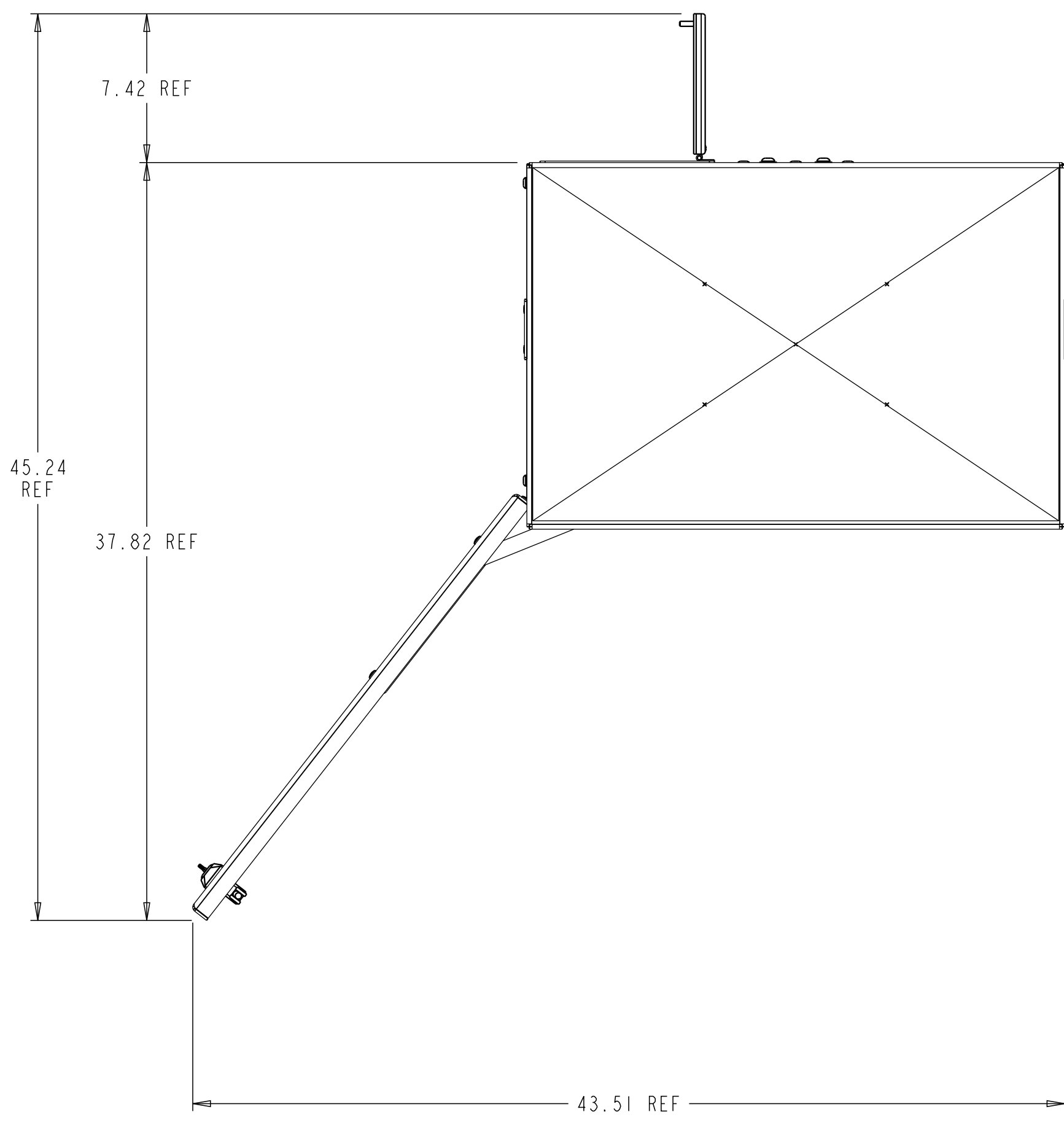
D

1

2

3

4



COMMSCOPE, INC.

© 2016 COMMSCOPE, INC. CONFIDENTIAL
 NOTICE: THESE DRAWINGS AND SPECIFICATIONS
 ARE THE PROPRIETARY PROPERTY OF
 COMMSCOPE, INC. AND MAY BE USED ONLY FOR THE
 SPECIFIC PURPOSE AUTHORIZED IN WRITING BY
 COMMSCOPE, INC.

TITLE
 INSTALLATION DRAWING,
 288 FDH3000

ALL DIMS AND TOLERANCES .XX:±N/A
 ARE INCHES UNLESS .XXX:±N/A
 OTHERWISE SPECIFIED ANGULAR:±N/A

C
 SIZE
 DRAWING NUMBER
 300100107284
 C
 REV

DO NOT SCALE DRAWING

ENGR: JORGE SOTO
 DWN: JORGE SOTO

SHT. 2 OF 4

A

B

C



DIMENSIONS IN INCHES
THIRD ANGLE PROJECTION

A

B

C

D

1

2

3

4

1

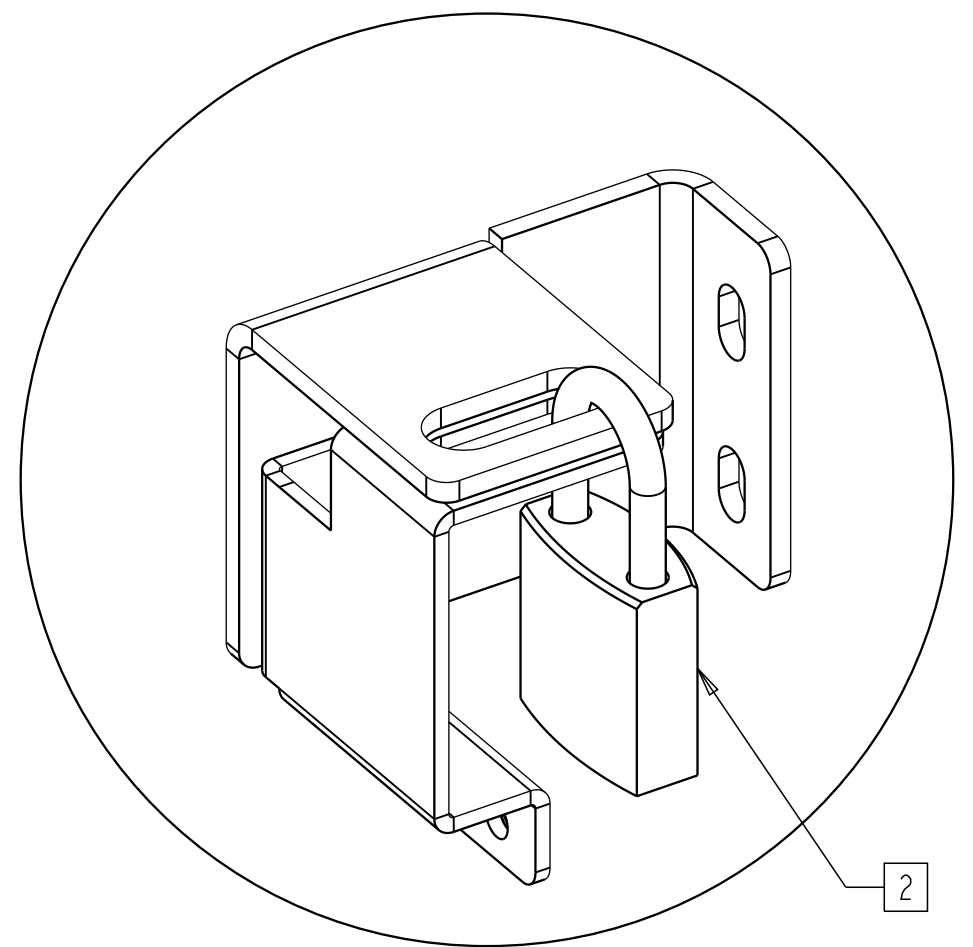
2

3

4

SPLITTER CHASSIS
SPLITTER MODULE

SEE PADLOCK
DETAIL



PADLOCK DETAIL

DISTRIBUTION
PANELS

FIBER SLACK
STORAGE

CONNECTOR STORAGE
PANEL

CAUTION

COMMSCOPE, INC.

© 2016 COMMSCOPE, INC. CONFIDENTIAL
NOTICE: THESE DRAWINGS AND SPECIFICATIONS
ARE THE PROPRIETARY PROPERTY OF
COMMSCOPE, INC. AND MAY BE USED ONLY FOR THE
SPECIFIC PURPOSE AUTHORIZED IN WRITING BY
COMMSCOPE, INC.

TITLE
INSTALLATION DRAWING,
288 FDH3000

ALL DIMS AND TOLERANCES .XX:±N/A
ARE INCHES UNLESS .XXX:±N/A
OTHERWISE SPECIFIED ANGULAR:±N/A

DRAWING NUMBER
300100107284

DO NOT SCALE DRAWING

ENGR: JORGE SOTO
DWN: JORGE SOTO

SHT. 3 OF 4



DIMENSIONS IN INCHES
THIRD ANGLE PROJECTION

A

B

C

D

1

2

3

4

1

2

3

4

FEEDER PANEL

PATCH PANEL

FEEDER SPLICE COMPARTMENT

FEEDER SPLICE TRAY

SPLITTER MODULES

STRIP BELLING

COMMSCOPE, INC.

© 2016 COMMSCOPE, INC. CONFIDENTIAL
NOTICE: THESE DRAWINGS AND SPECIFICATIONS
ARE THE PROPRIETARY PROPERTY OF
COMMSCOPE, INC. AND MAY BE USED ONLY FOR THE
SPECIFIC PURPOSE AUTHORIZED IN WRITING BY
COMMSCOPE, INC.

ALL DIMS AND TOLERANCES .XX:±N/A
ARE INCHES UNLESS .XXX:±N/A
OTHERWISE SPECIFIED ANGULAR:±N/A

DO NOT SCALE DRAWING

ENGR: JORGE SOTO
DWN: JORGE SOTO

TITLE
INSTALLATION DRAWING,
288 FDH3000

DRAWING NUMBER
300100107284

SHT. 4 OF 4



DIMENSIONS IN INCHES
THIRD ANGLE PROJECTION