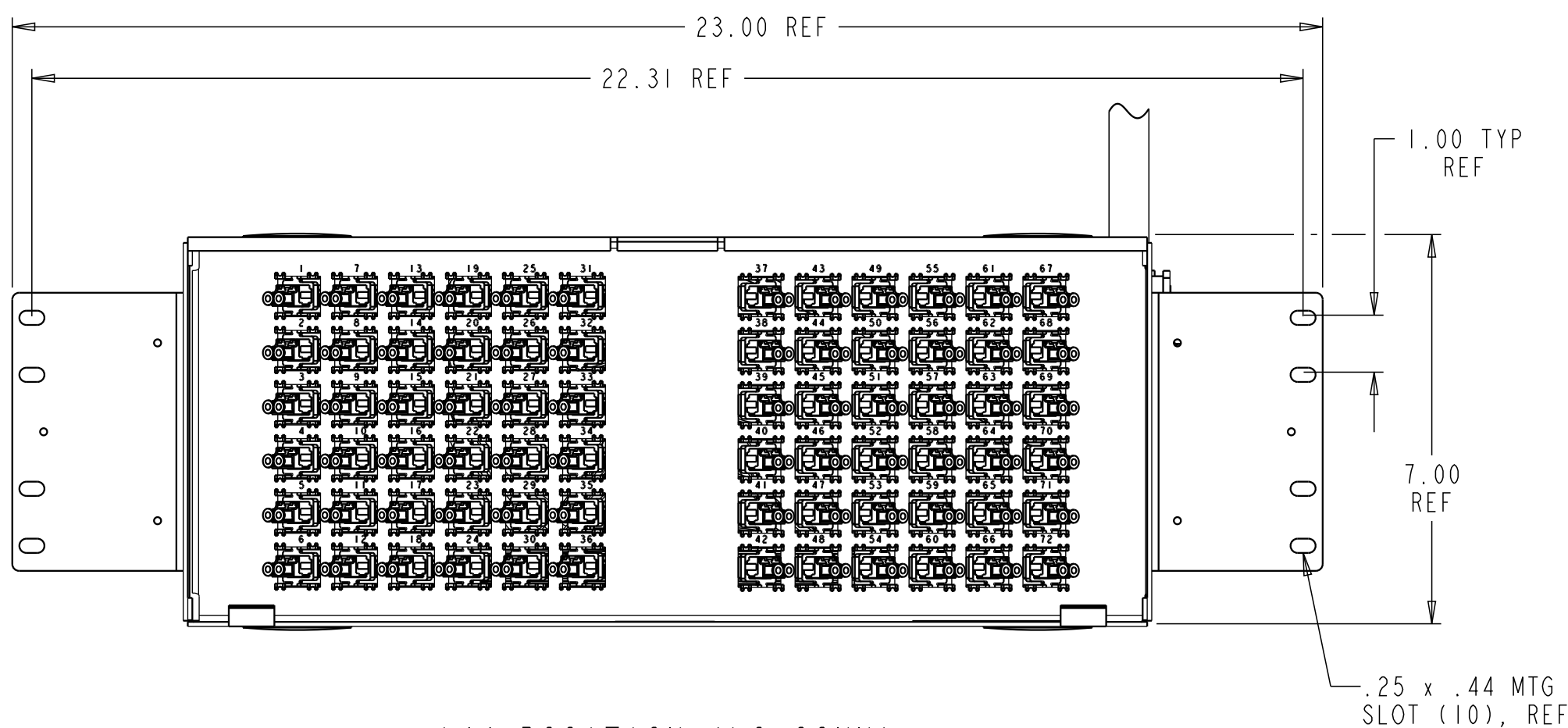
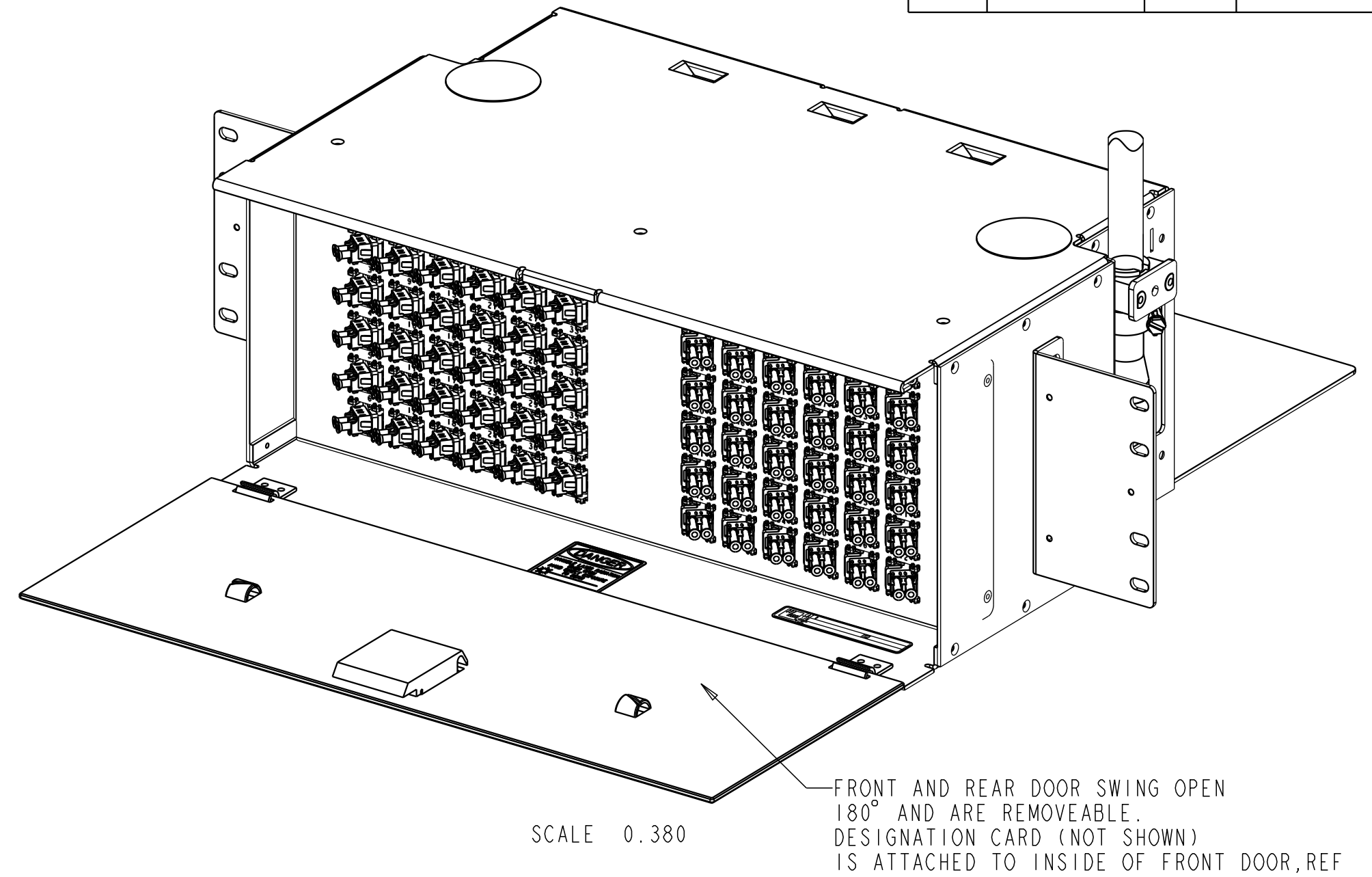
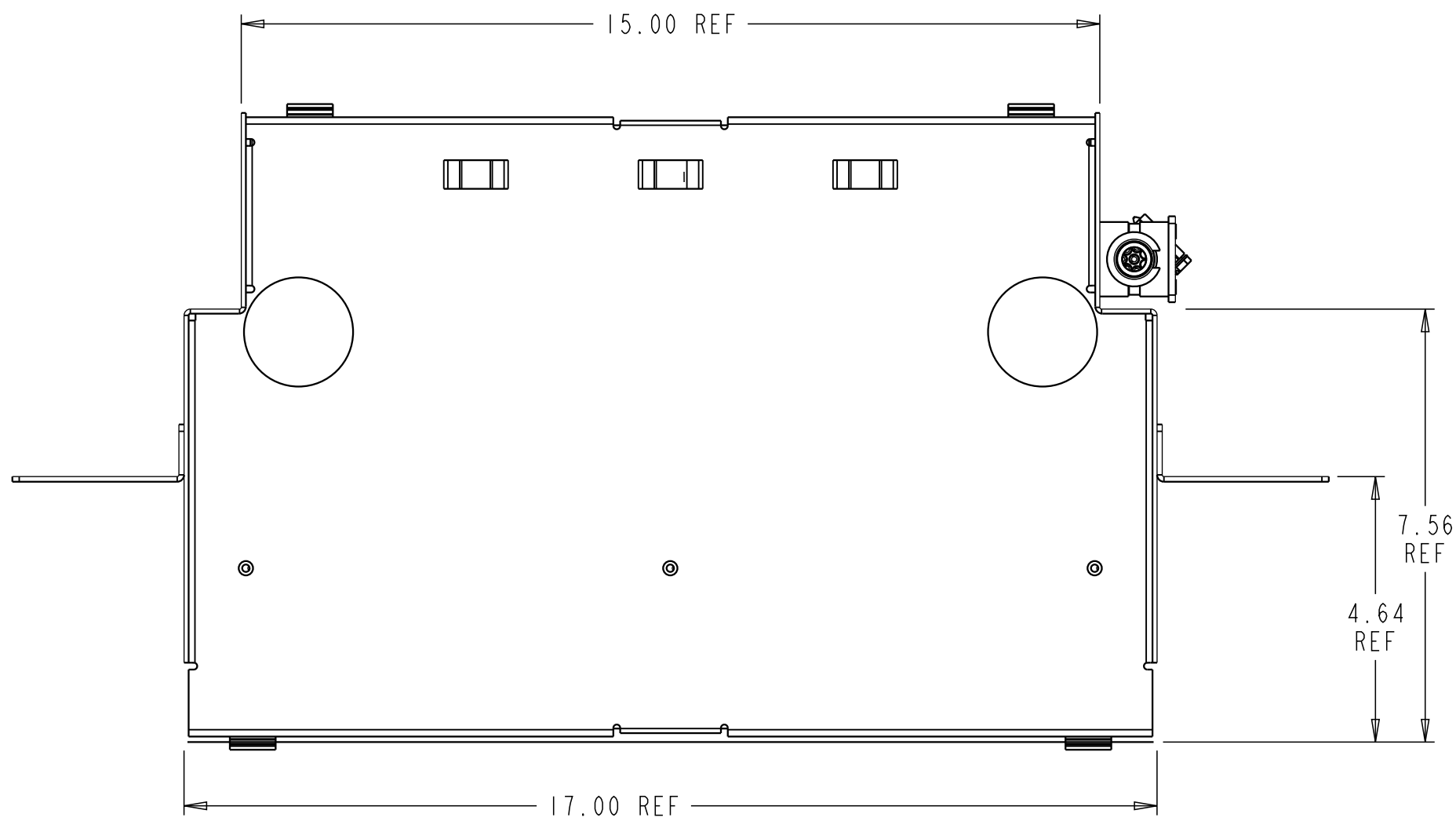
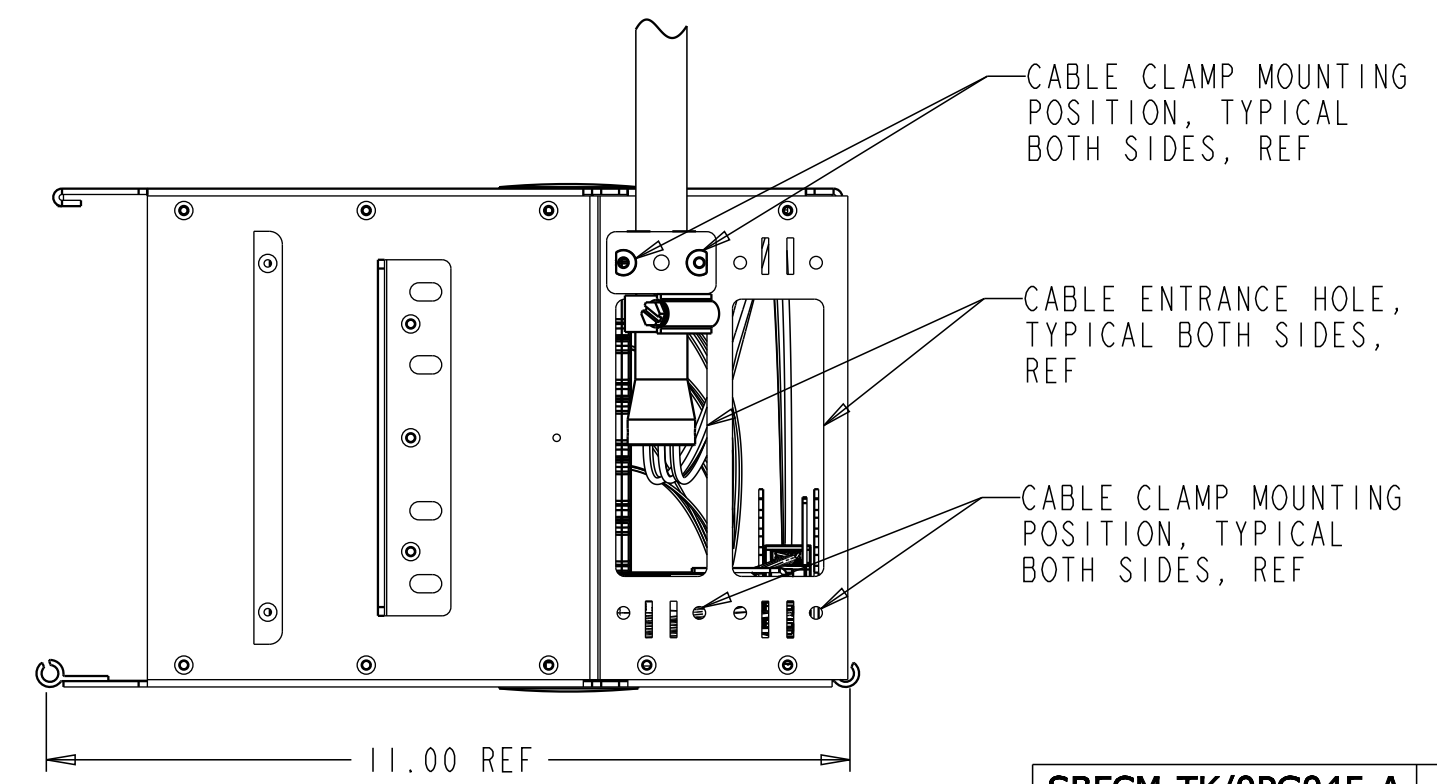


REV.	MCO	DWN	DATE
D	40017042MCO	LLBV	04-NOV-13
E	40032750MCO	JUM	10-AUG-16



144 POSITION (LC CONN)
IFC MODULE
FRONT DOOR NOT SHOWN FOR CLARITY



CATALOG NUMBER	CABLE LENGTH (M)
SBFCM-TK/OPG045-A	45
SBFCM-TK/OPG031-A	31
SBFCM-TK/OLH031-A	31
SBFCM-TK/OPG061-A	61
SBFCM-TK/OPG122-A	122

- NOTES:**
1. MOUNTING HARDWARE IS INCLUDED WITH EACH UNIT.
 2. PANEL FEATURES REVERSIBLE EARS FOR 19/23" RACK MOUNT.

COMMSCOPE, INC.

© 2016 COMMSCOPE, INC. CONFIDENTIAL
NOTICE: THESE DRAWINGS AND SPECIFICATIONS ARE THE PROPRIETARY PROPERTY OF COMMSCOPE, INC. AND MAY BE USED ONLY FOR THE SPECIFIC PURPOSE AUTHORIZED IN WRITING BY COMMSCOPE, INC.

ALL DIMS AND TOLERANCES ARE INCHES UNLESS OTHERWISE SPECIFIED

DO NOT SCALE DRAWING

TITLE 144 FCM FIBER PANEL (INST DRW)		DRAWING NUMBER 300001780854		E REV	
ENGR: ERIK ESTRADA		DWN: RUBEN ARVILLA		SHT. 1 OF 1	

DIMENSIONS IN INCHES
THIRD ANGLE PROJECTION