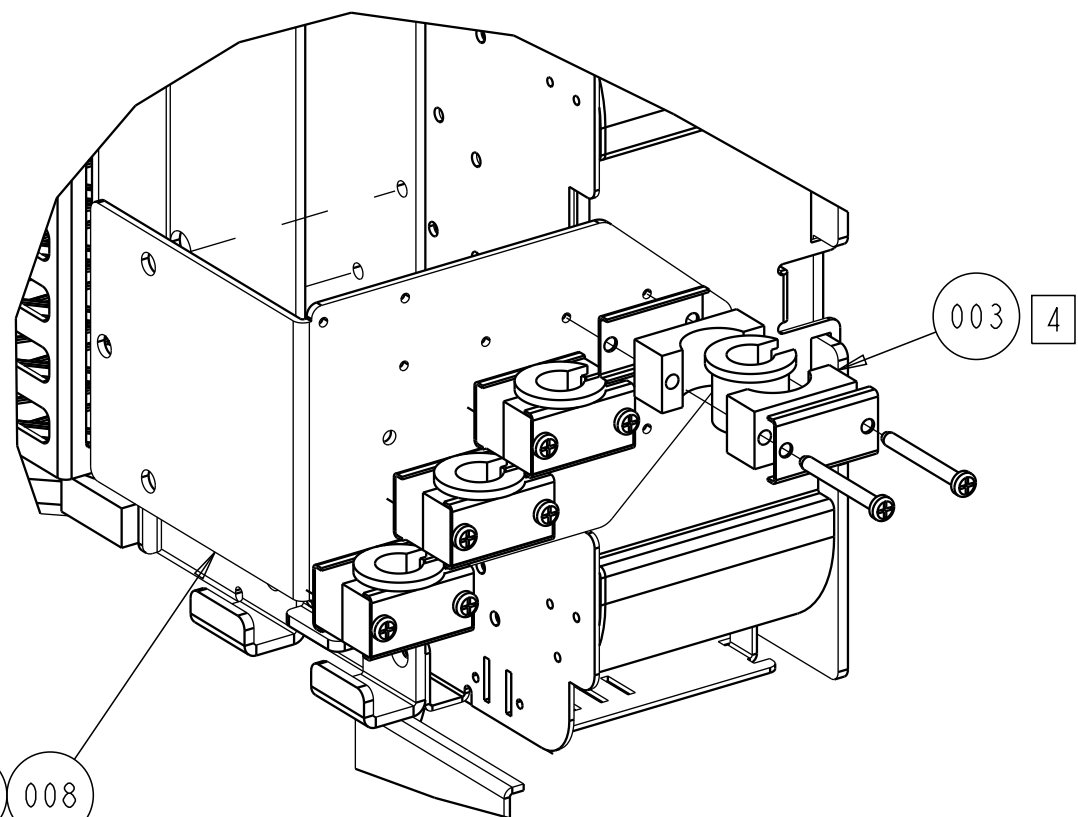
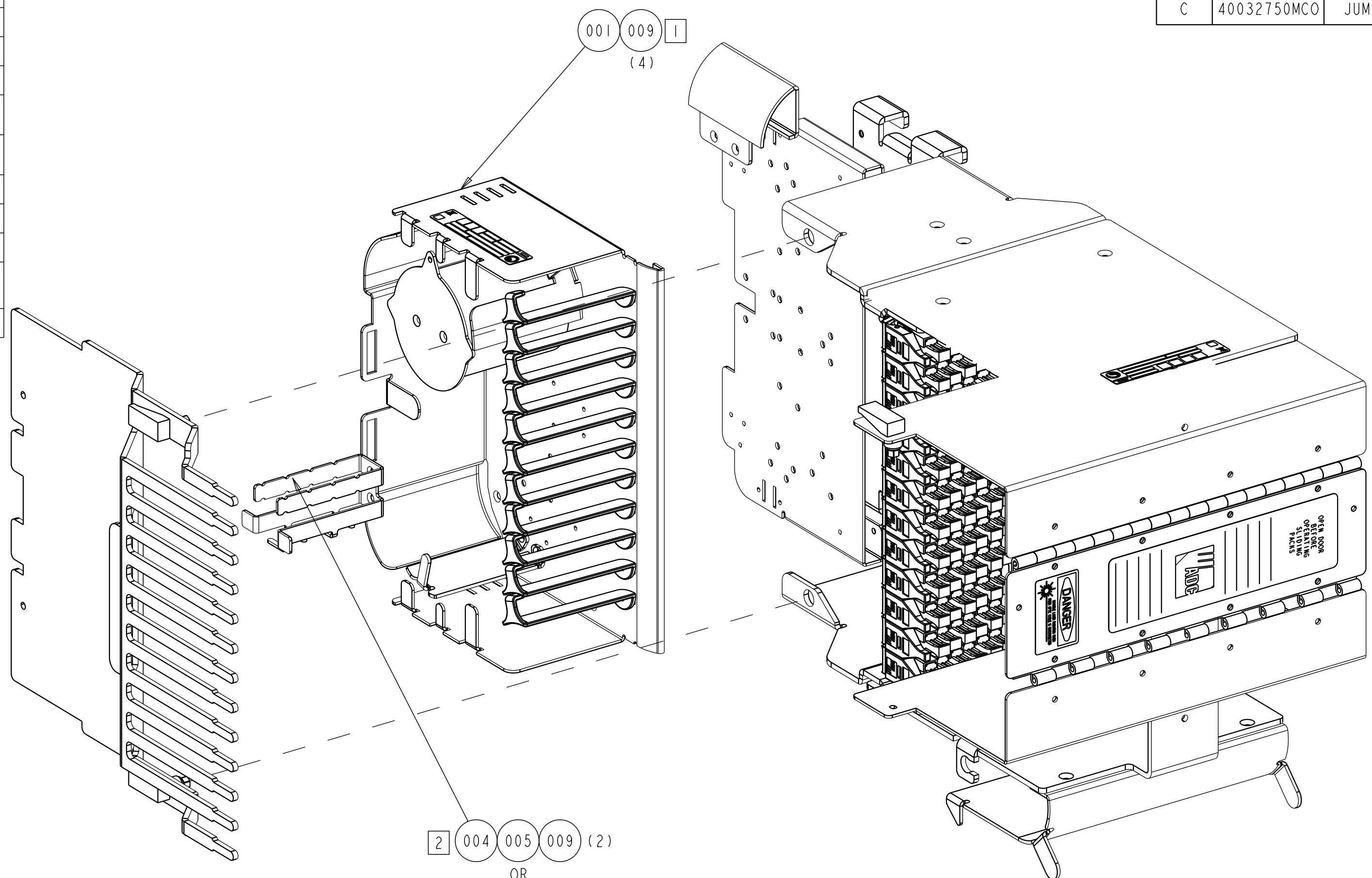


ITEM	DESCRIPTION	QTY
001	IFC REAR TRAY, RIGHT, UP	1
002	CABLE CLAMP BRACKET	1
003	CABLE CLAMP KIT	1
004	O-RING	1
005	FAN-OUT BRACKET (ALL IFC EXCEPT 96 POS)	1
006	FAN-OUT BRACKET (ONLY 96 POS IFC)	1
007	#12-24 X .375 SCREW	3
008	#12 WASHER	3
009	#4-40 X .25 SCREW	8
010	FAN-OUT BRACKET (192 POS)	1
999	ROUTING DRAWING	1

REV	MCO	DWN	DATE
B	40020260MCO	JGZV	09-MAR-15
C	40032750MCO	JUM	10-AUG-16



REAR VIEW
CABLE CLAMP ASSEMBLY

- 2 004 005 009 (2)
OR
- 2 004 006 009 (2)
OR
- 2 004 010 009 (2)

NOTES:

- 1 REMOVE EXISTING RIGHT TRAY AND REPLACE WITH ITEM 001 AS SHOWN.
- 2 SEE SHEET 2, FANOUT BRACKET DETAIL.
- 3. PREPARE AND ROUTE CABLE ASSEMBLIES AS SHOWN IN USER MANUAL WITH NGF TERMINAL BLOCK.
- 4 SHOW 4 CABLE CLAMPS ONLY REFERENCE.

NGF-ACCRCMSRU-16	PUTTY WHITE
NGFB-ACCRCMSRU	BLACK TEXTURED
NGF-ACCRCMSRU	PUTTY WHITE
CATALOG	FINISH

© 2016 COMMSCOPE, INC. CONFIDENTIAL
NOTICE: THESE DRAWINGS AND SPECIFICATIONS
ARE THE PROPRIETARY PROPERTY OF
COMMSCOPE, INC. AND MAY BE USED ONLY FOR THE
SPECIFIC PURPOSE AUTHORIZED IN WRITING BY
COMMSCOPE, INC.

TITLE	CONVERSION KIT, NGF-TB, 96\144, RIGHT UP	
DRAWING NUMBER	300001771965	

ALL DIMS AND TOLERANCES .XX:±N/A
ARE INCHES UNLESS .XXX:±N/A
OTHERWISE SPECIFIED ANGULAR:±N/A

DO NOT SCALE DRAWING	ENGR: JOSE MENDOZA DWN: HERMAN SAENZ	SHT. 1 OF 8
----------------------	---	-------------

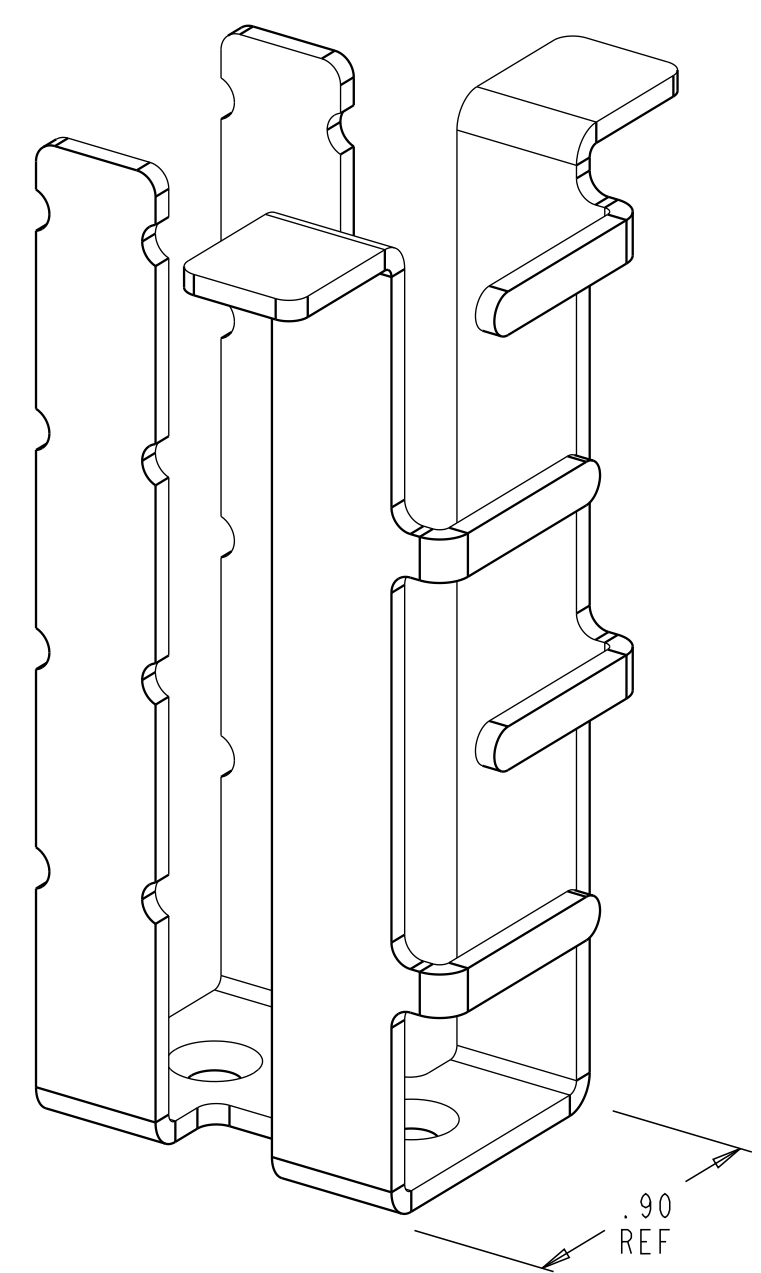
COMMSCOPE, INC.

A

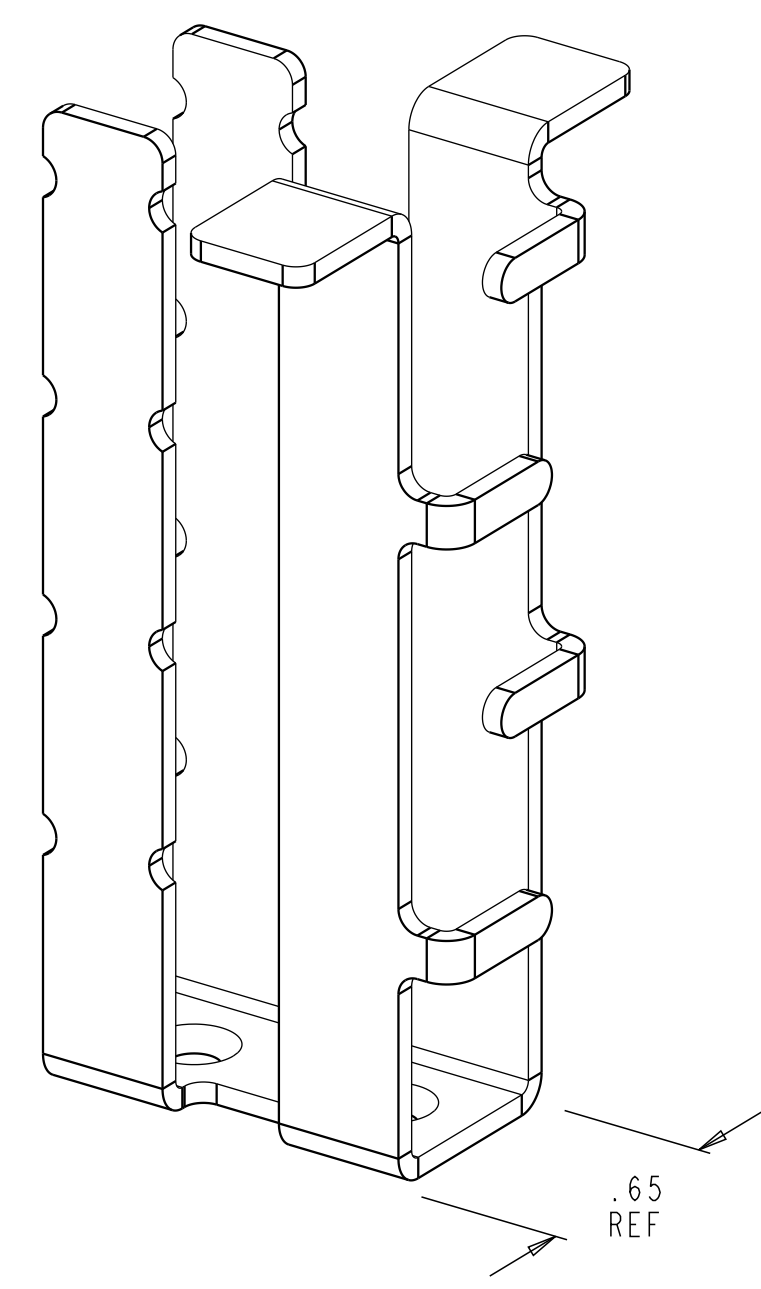
B

C

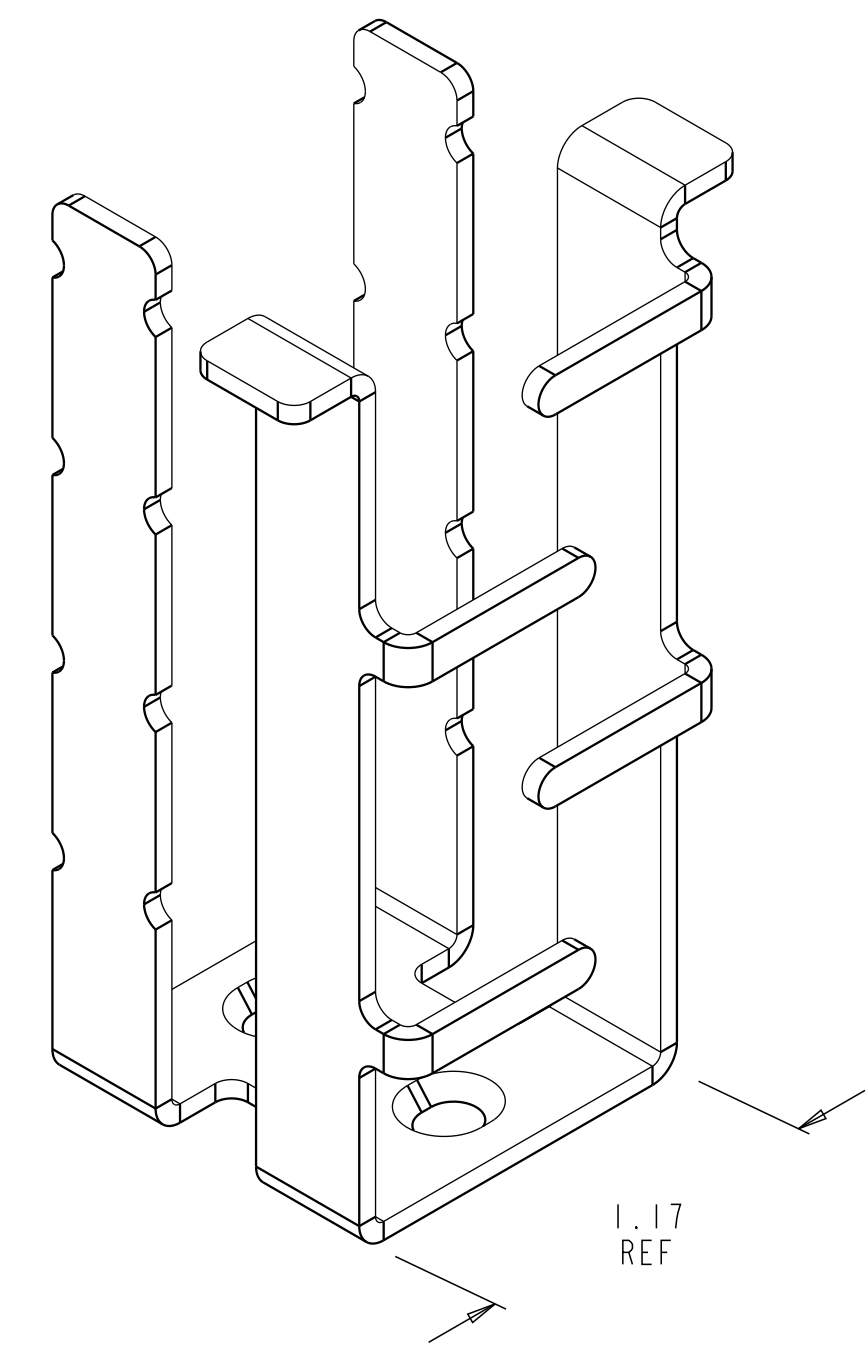
D



ITEM 005
SCALE 2.000



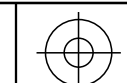
ITEM 006
SCALE 2.000



ITEM 010
SCALE 2.000

COMMSCOPE, INC.

<small>© 2016 COMMSCOPE, INC. CONFIDENTIAL NOTICE: THESE DRAWINGS AND SPECIFICATIONS ARE THE PROPRIETARY PROPERTY OF COMMSCOPE, INC. AND MAY BE USED ONLY FOR THE SPECIFIC PURPOSE AUTHORIZED IN WRITING BY COMMSCOPE, INC.</small>		TITLE CONVERSION KIT, NGF-TB, 96\144, RIGHT UP	
<small>ALL DIMS AND TOLERANCES ARE INCHES UNLESS OTHERWISE SPECIFIED</small>	<small>.XX:±N/A .XXX:±N/A ANGULAR:±N/A</small>	C SIZE	DRAWING NUMBER 300001771965
DO NOT SCALE DRAWING	ENGR: JOSE MENDOZA DWN: HERMAN SAENZ	SHT. 2 OF 8	C REV



**DIMENSIONS IN INCHES
THIRD ANGLE PROJECTION**

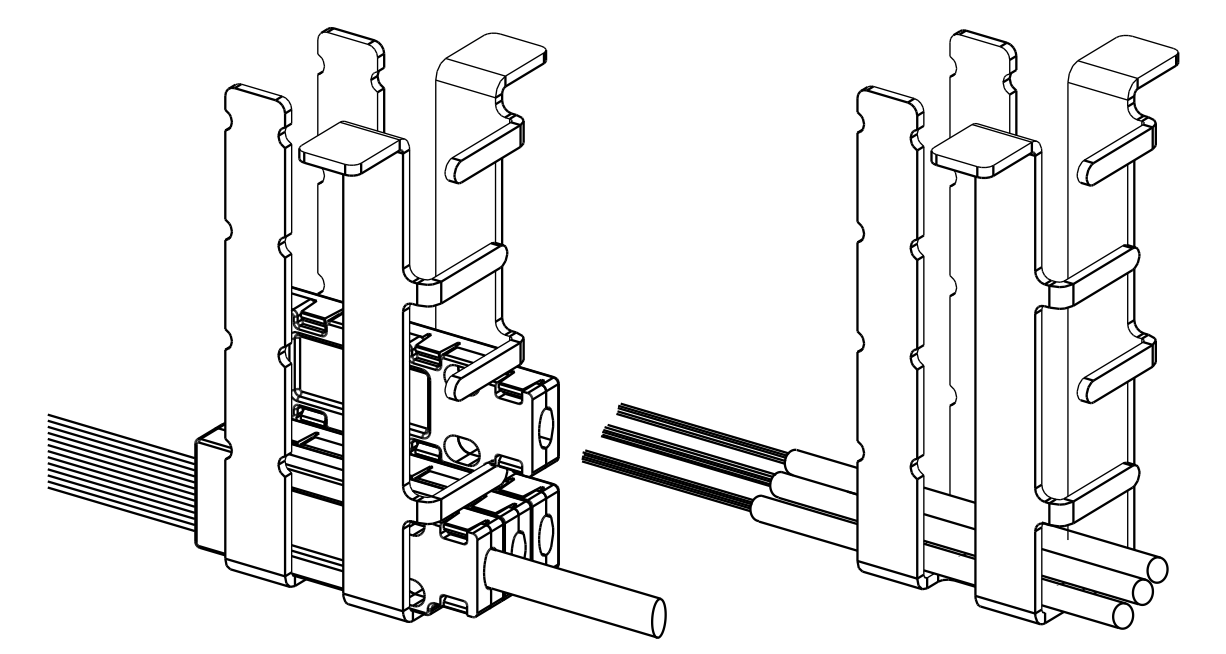
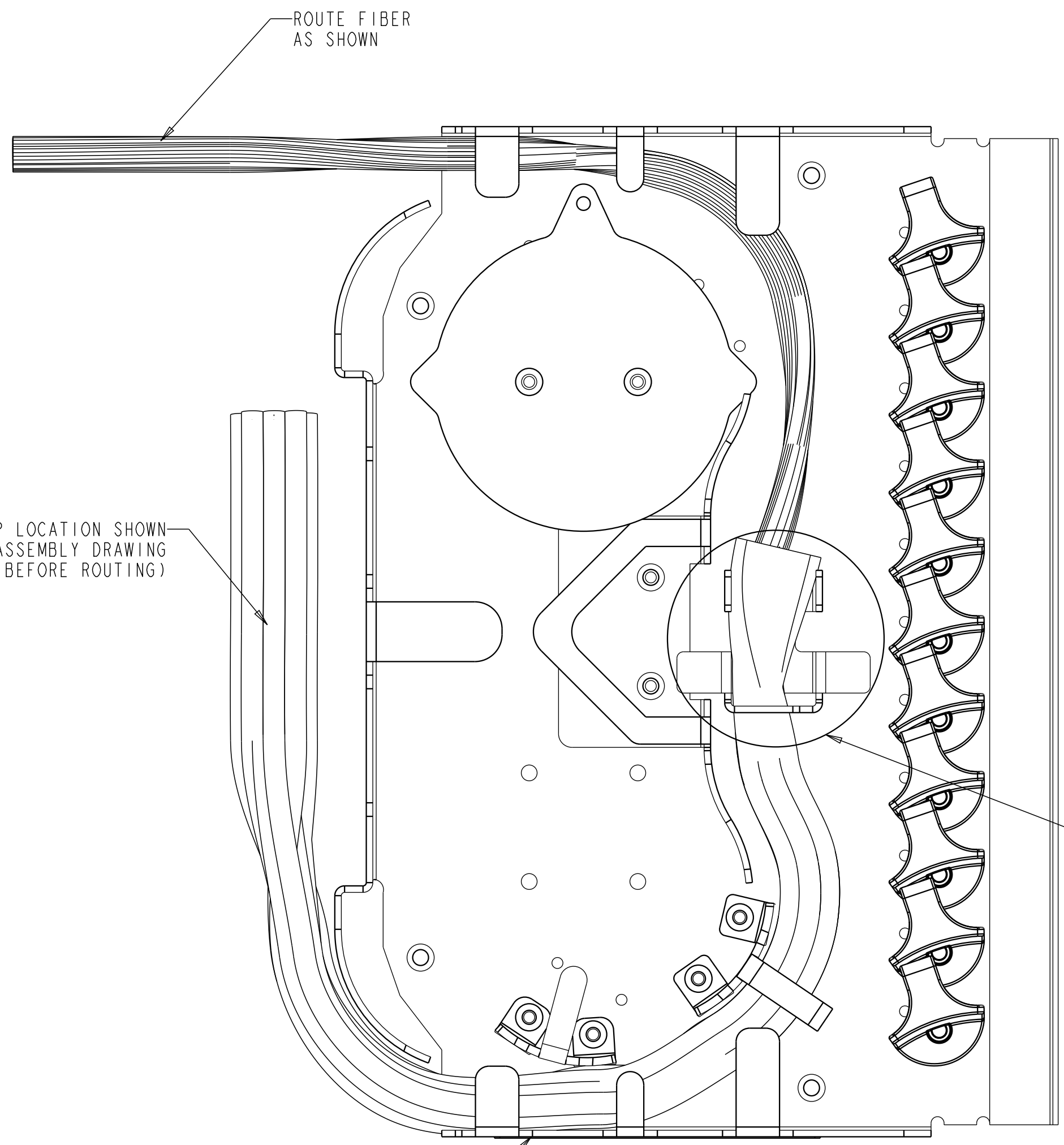
A

B

C

D

REFERENCE CABLE ROUTING



FOR RIBBON FIBER

FOR STRANDED FIBER

DETAIL A

SEE DETAIL A

CABLE ROUTING STEP 1

COMMSCOPE, INC.

<small>© 2016 COMMSCOPE, INC. CONFIDENTIAL NOTICE: THESE DRAWINGS AND SPECIFICATIONS ARE THE PROPRIETARY PROPERTY OF COMMSCOPE, INC. AND MAY BE USED ONLY FOR THE SPECIFIC PURPOSE AUTHORIZED IN WRITING BY COMMSCOPE, INC.</small>		TITLE CONVERSION KIT, NGF-TB, 96\144, RIGHT UP	
<small>ALL DIMS AND TOLERANCES ARE INCHES UNLESS OTHERWISE SPECIFIED</small>	<small>.XX:±N/A .XXX:±N/A ANGULAR:±N/A</small>	C SIZE DRAWING NUMBER 300001771965	C REV
DO NOT SCALE DRAWING		ENGR: JOSE MENDOZA DWN: HERMAN SAENZ	SHT. 3 OF 8

DIMENSIONS IN INCHES
THIRD ANGLE PROJECTION

A

B

C

D

1

2

3

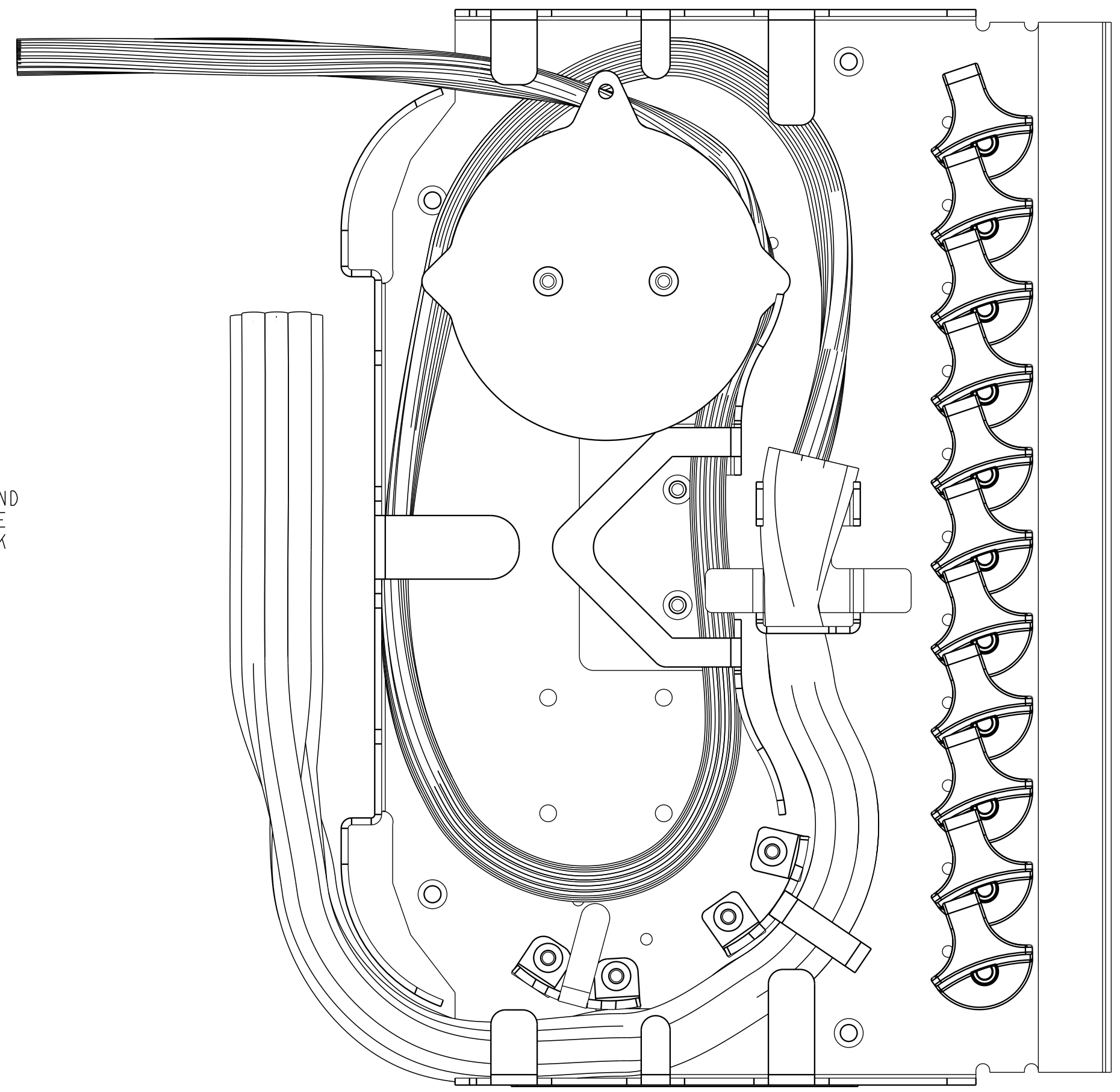
4

1

2

3

4



* ROUTE ALL FIBERS AROUND SPOOL AND OUT THE SIDE AS SHOWN. (LEAVE SLACK LOOP LONG)

- ROW 1
- ROW 2
- ROW 3
- ROW 4
- ROW 5
- ROW 6
- ROW 7
- ROW 8
- ROW 9
- ROW 10
- ROW 11
- ROW 12

CABLE ROUTING
STEP 2

COMMSCOPE, INC.

© 2016 COMMSCOPE, INC. CONFIDENTIAL
NOTICE: THESE DRAWINGS AND SPECIFICATIONS ARE THE PROPRIETARY PROPERTY OF COMMSCOPE, INC. AND MAY BE USED ONLY FOR THE SPECIFIC PURPOSE AUTHORIZED IN WRITING BY COMMSCOPE, INC.

TITLE
CONVERSION KIT, NGF-TB,
96\144, RIGHT UP

ALL DIMS AND TOLERANCES .XX:±N/A
ARE INCHES UNLESS .XXX:±N/A
OTHERWISE SPECIFIED ANGULAR:±N/A

C SIZE	DRAWING NUMBER 300001771965	C REV
-----------	--------------------------------	----------

DO NOT SCALE DRAWING

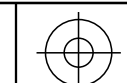
ENGR: JOSE MENDOZA
DWN: HERMAN SAENZ

SHT. 4 OF 8

A

B

C



DIMENSIONS IN INCHES
THIRD ANGLE PROJECTION

A

B

C

D

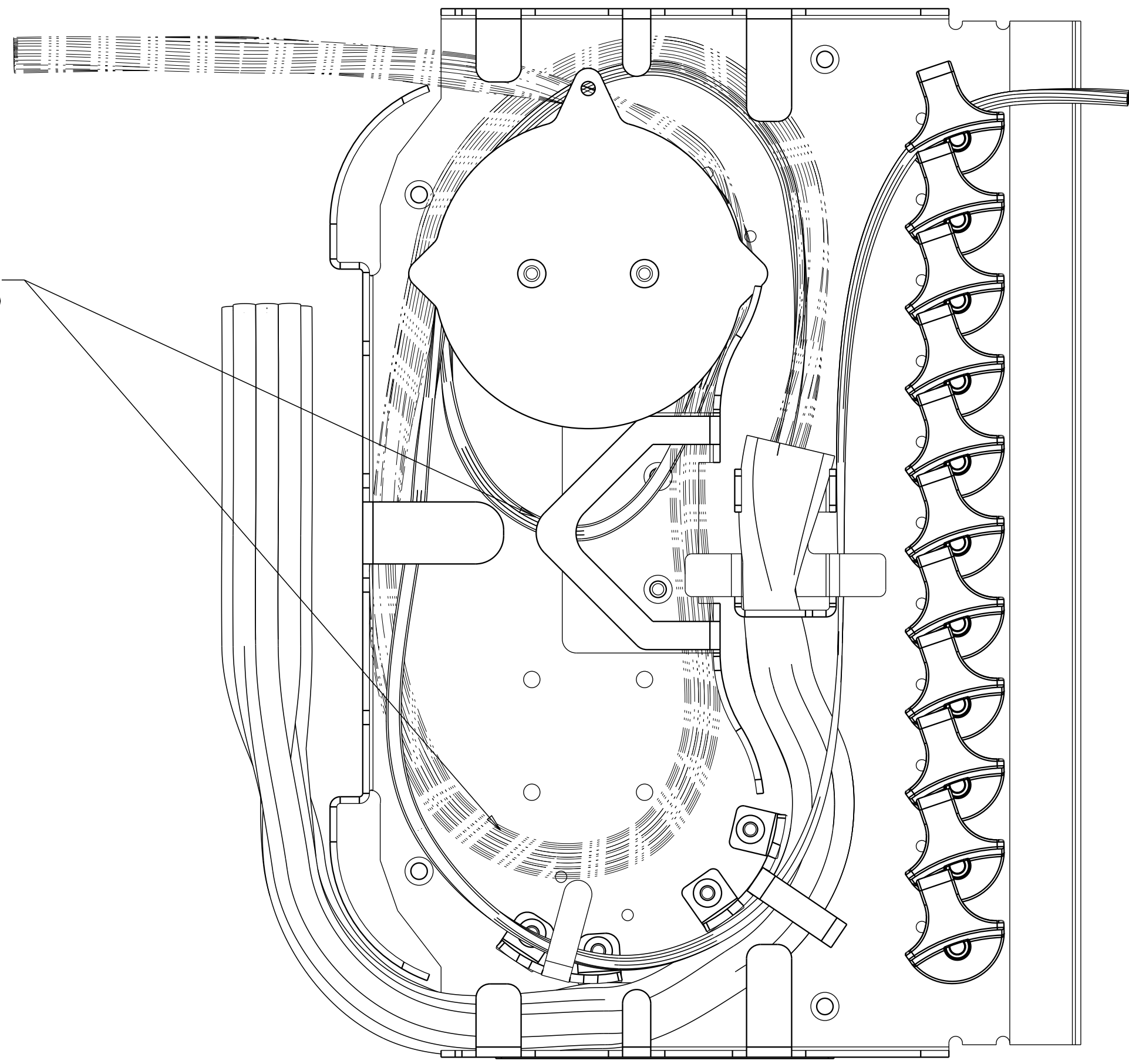
1

2

3

4

ADJUST SLACK LOOP
AS REQUIRED TO
ROUTE FIBERS



- ROW 1
- ROW 2
- ROW 3
- ROW 4
- ROW 5
- ROW 6
- ROW 7
- ROW 8
- ROW 9
- ROW 10
- ROW 11
- ROW 12

* START WITH ROW 1 SEE CONNECTION
TABLE (F/N 986) FOR CORRECT FIBERS.
ROUTE FIBERS AS SHOWN TO
ROW 1

CABLE ROUTING
STEP 3

COMMSCOPE, INC.

© 2016 COMMSCOPE, INC. CONFIDENTIAL
NOTICE: THESE DRAWINGS AND SPECIFICATIONS
ARE THE PROPRIETARY PROPERTY OF
COMMSCOPE, INC. AND MAY BE USED ONLY FOR THE
SPECIFIC PURPOSE AUTHORIZED IN WRITING BY
COMMSCOPE, INC.

TITLE
CONVERSION KIT, NGF-TB,
96\144, RIGHT UP

ALL DIMS AND TOLERANCES .XX:±N/A
ARE INCHES UNLESS .XXX:±N/A
OTHERWISE SPECIFIED ANGULAR:±N/A

C SIZE	DRAWING NUMBER 300001771965	C REV
-----------	--------------------------------	----------

DO NOT SCALE DRAWING

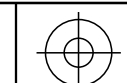
ENGR: JOSE MENDOZA
DWN: HERMAN SAENZ

SHT. 5 OF 8

A

B

C



**DIMENSIONS IN INCHES
THIRD ANGLE PROJECTION**

A

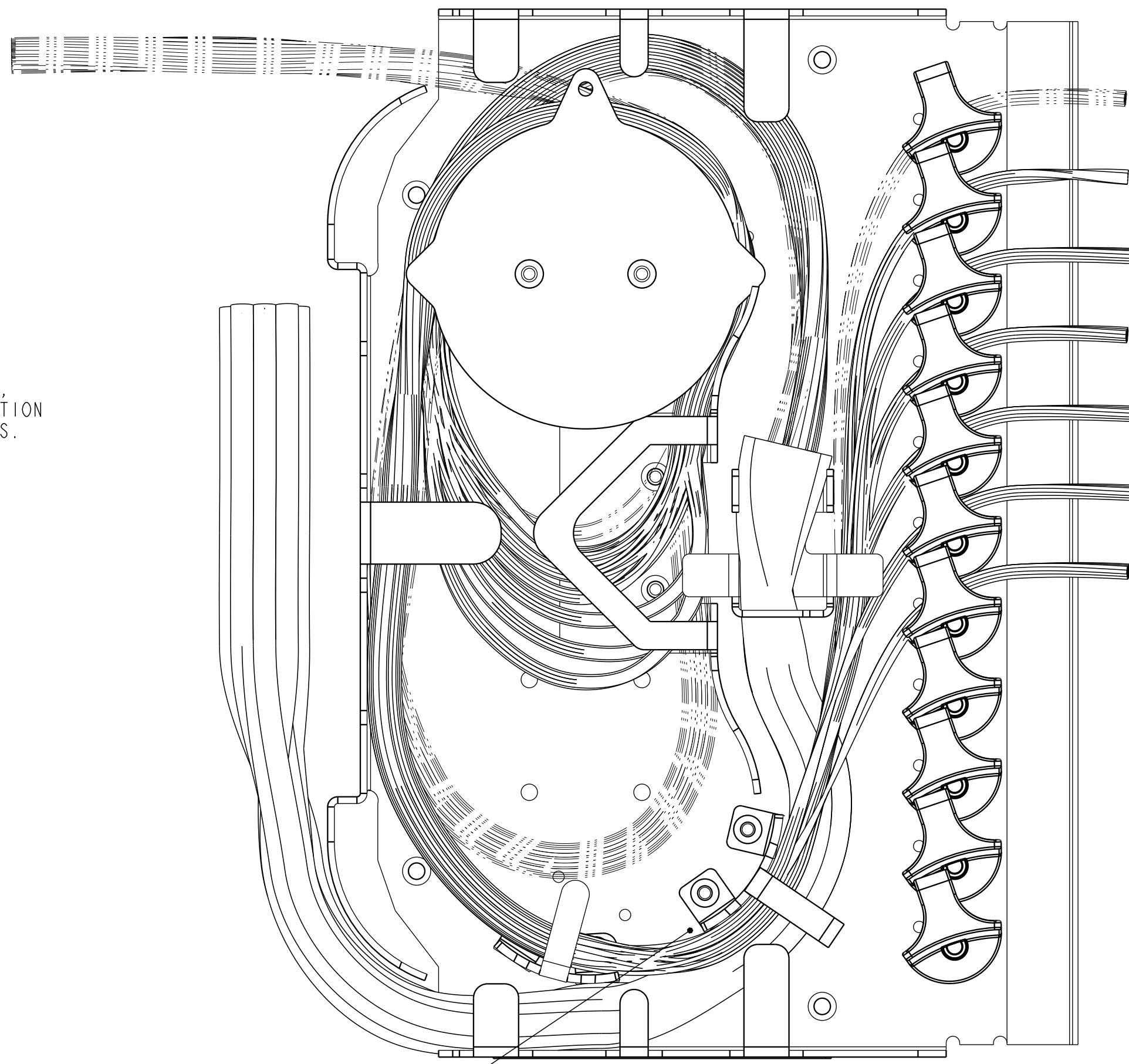
B

C

D

NOTES:

* ROUTE ROW 2 AS SHOWN.
CONTINUE WITH ROWS 3, 4,
5, 6, AND 7. SEE CONNECTION
TABLE FOR CORRECT FIBERS.



- ROW 1
- ROW 2
- ROW 3
- ROW 4
- ROW 5
- ROW 6
- ROW 7
- ROW 8
- ROW 9
- ROW 10
- ROW 11
- ROW 12

ROWS 1-7 ROUTE TO THE
INSIDE OF RADIUS LIMITER

CABLE ROUTING
STEP 4

COMMSCOPE, INC.

© 2016 COMMSCOPE, INC. CONFIDENTIAL
NOTICE: THESE DRAWINGS AND SPECIFICATIONS
ARE THE PROPRIETARY PROPERTY OF
COMMSCOPE, INC. AND MAY BE USED ONLY FOR THE
SPECIFIC PURPOSE AUTHORIZED IN WRITING BY
COMMSCOPE, INC.

TITLE
CONVERSION KIT, NGF-TB,
96\144, RIGHT UP

ALL DIMS AND TOLERANCES .XX:±N/A
ARE INCHES UNLESS .XXX:±N/A
OTHERWISE SPECIFIED ANGULAR:±N/A

C
SIZE
DRAWING NUMBER
300001771965
C
REV

DO NOT SCALE DRAWING

ENGR: JOSE MENDOZA
DWN: HERMAN SAENZ

SHT. 6 OF 8



DIMENSIONS IN INCHES
THIRD ANGLE PROJECTION

A

B

C

1

2

3

4

1

2

3

4

A

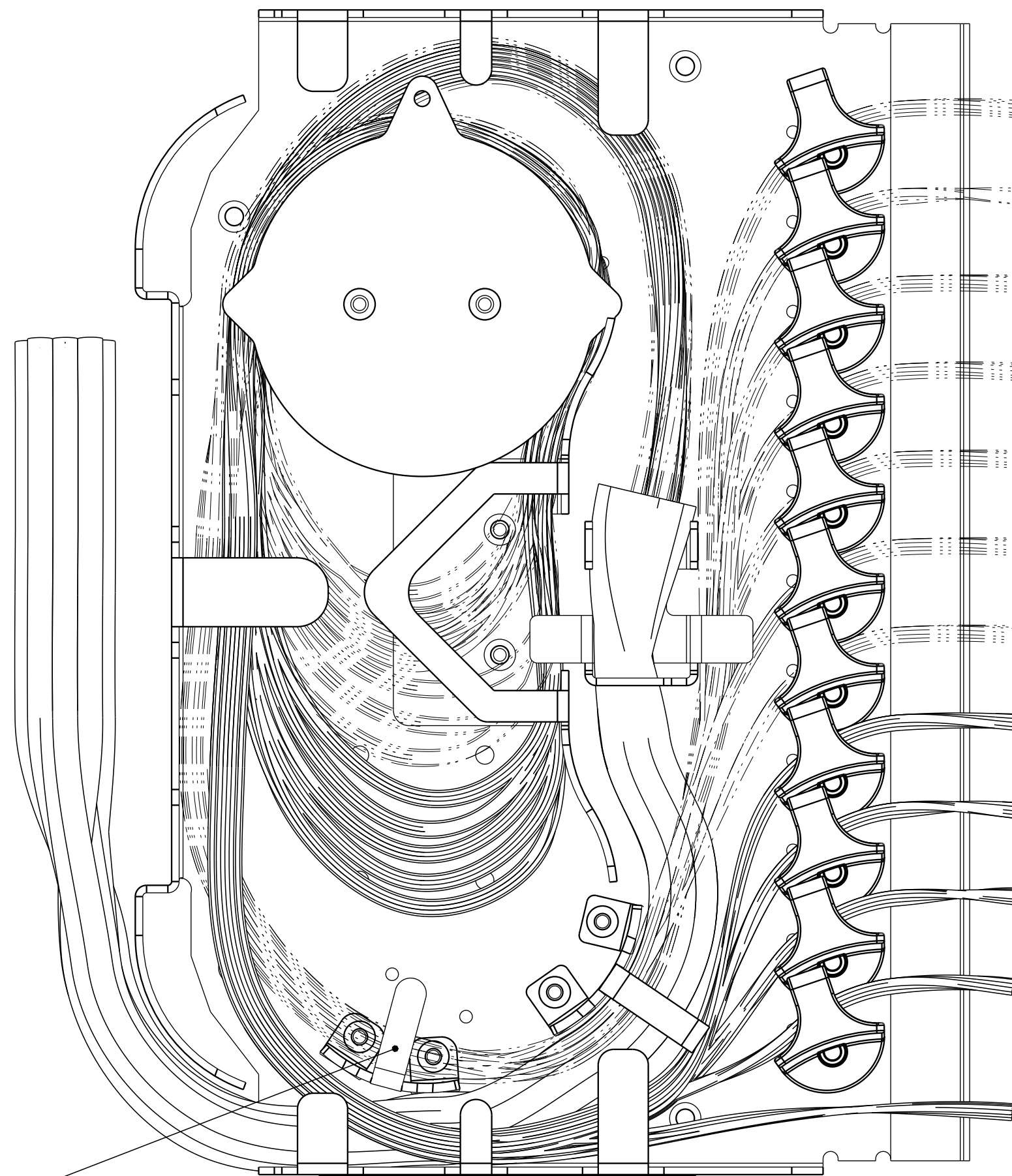
B

C

D

NOTES:

* ROUTE ROW 8 AS SHOWN
CONTINUE WITH 9, 10, 11,
AND 12. SEE CONNECTION TABLE
FOR CORRECT FIBERS.



ROW 1

ROW 2

ROW 3

ROW 4

ROW 5

ROW 6

ROW 7

ROW 8

ROW 9

ROW 10

ROW 11

ROW 12

ROWS 8-12 ROUTE TO THE
OUTSIDE OF RADIUS LIMITER

CABLE ROUTING
STEP 5

COMMSCOPE, INC.

© 2016 COMMSCOPE, INC. CONFIDENTIAL
NOTICE: THESE DRAWINGS AND SPECIFICATIONS
ARE THE PROPRIETARY PROPERTY OF
COMMSCOPE, INC. AND MAY BE USED ONLY FOR THE
SPECIFIC PURPOSE AUTHORIZED IN WRITING BY
COMMSCOPE, INC.

TITLE
CONVERSION KIT, NGF-TB,
96\144, RIGHT UP

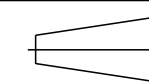
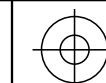
ALL DIMS AND TOLERANCES .XX:±N/A
ARE INCHES UNLESS .XXX:±N/A
OTHERWISE SPECIFIED ANGULAR:±N/A

C
SIZE
DRAWING NUMBER
300001771965
C
REV

DO NOT SCALE DRAWING

ENGR: JOSE MENDOZA
DWN: HERMAN SAENZ

SHT. 7 OF 8



DIMENSIONS IN INCHES
THIRD ANGLE PROJECTION

A

B

C

1

2

3

4

1

2

3

4

A

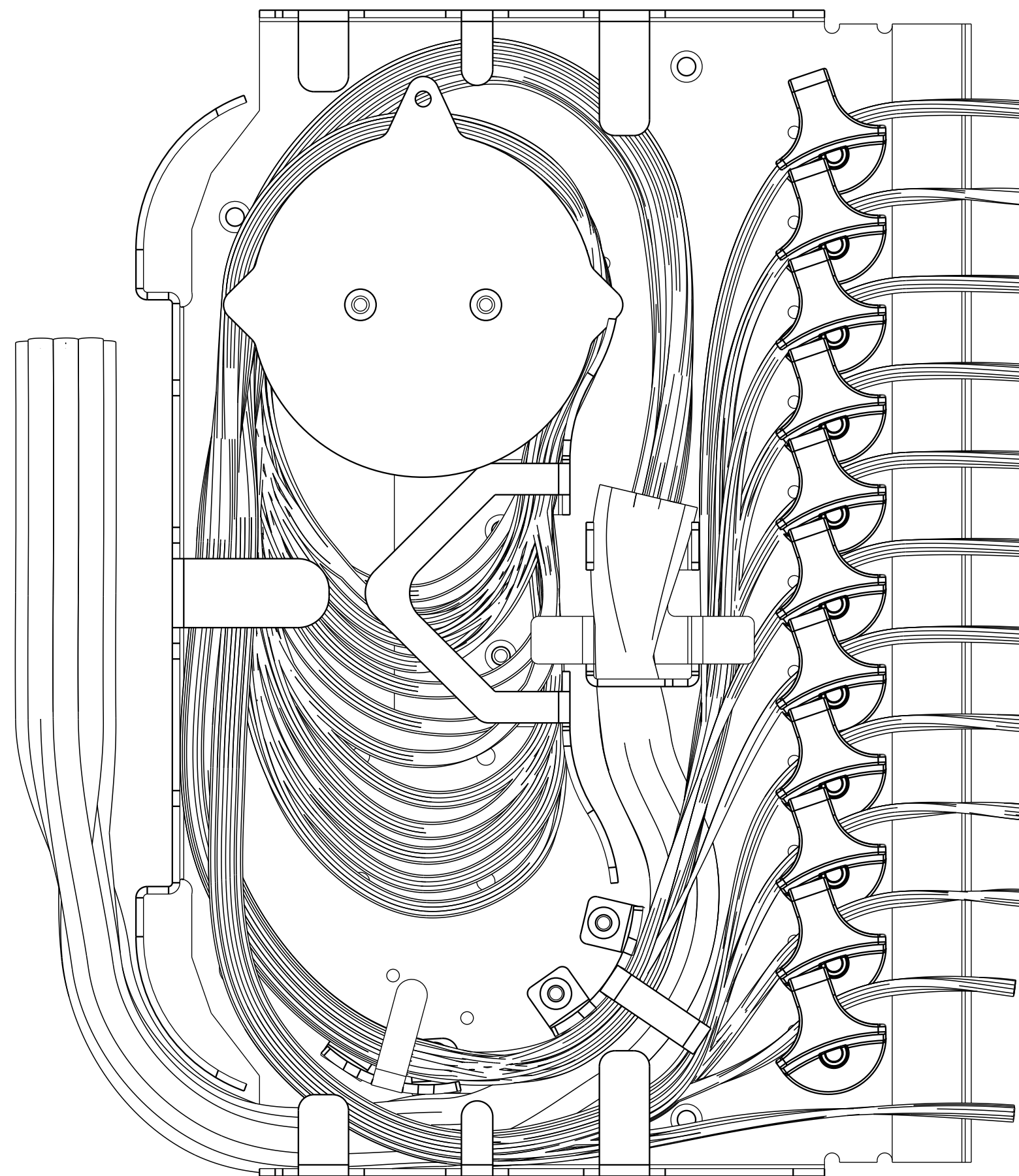
B

C

D

NOTES:

- * AFTER INSTALLING CABLE, EXTEND ALL ADAPTER PACKS. ADJUST SLACK LOOP AS NECESSARY.
- * PUSH ADAPTER PACKS BACK IN, CHECK FIBER FOR BENDS. REDRESS FIBERS IF NECESSARY.



FINISHED CABLE ROUTING

COMMSCOPE, INC.

© 2016 COMMSCOPE, INC. CONFIDENTIAL
 NOTICE: THESE DRAWINGS AND SPECIFICATIONS ARE THE PROPRIETARY PROPERTY OF COMMSCOPE, INC. AND MAY BE USED ONLY FOR THE SPECIFIC PURPOSE AUTHORIZED IN WRITING BY COMMSCOPE, INC.

ALL DIMS AND TOLERANCES .XX:±N/A
 ARE INCHES UNLESS .XXX:±N/A
 OTHERWISE SPECIFIED ANGULAR:±N/A

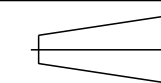
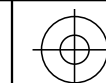
DO NOT SCALE DRAWING

ENGR: JOSE MENDOZA
 DWN: HERMAN SAENZ

TITLE CONVERSION KIT, NGF-TB,
 96\144, RIGHT UP

SIZE C	DRAWING NUMBER 300001771965	REV C
--------	-----------------------------	-------

SHT. 8 OF 8



**DIMENSIONS IN INCHES
 THIRD ANGLE PROJECTION**

A

B

C