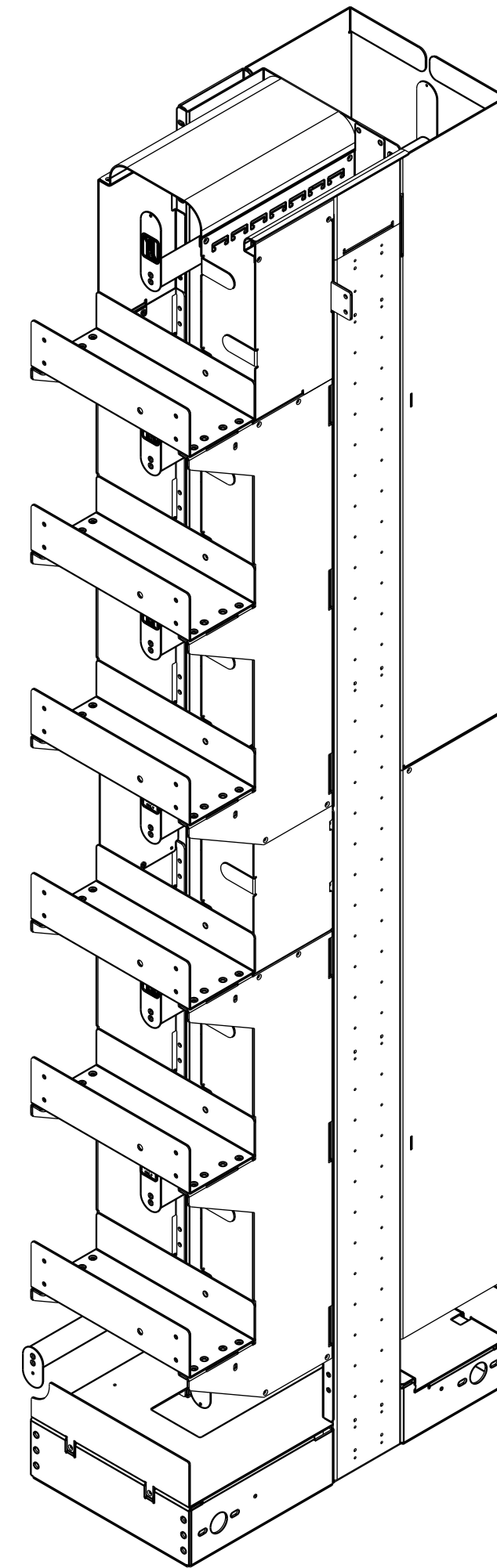
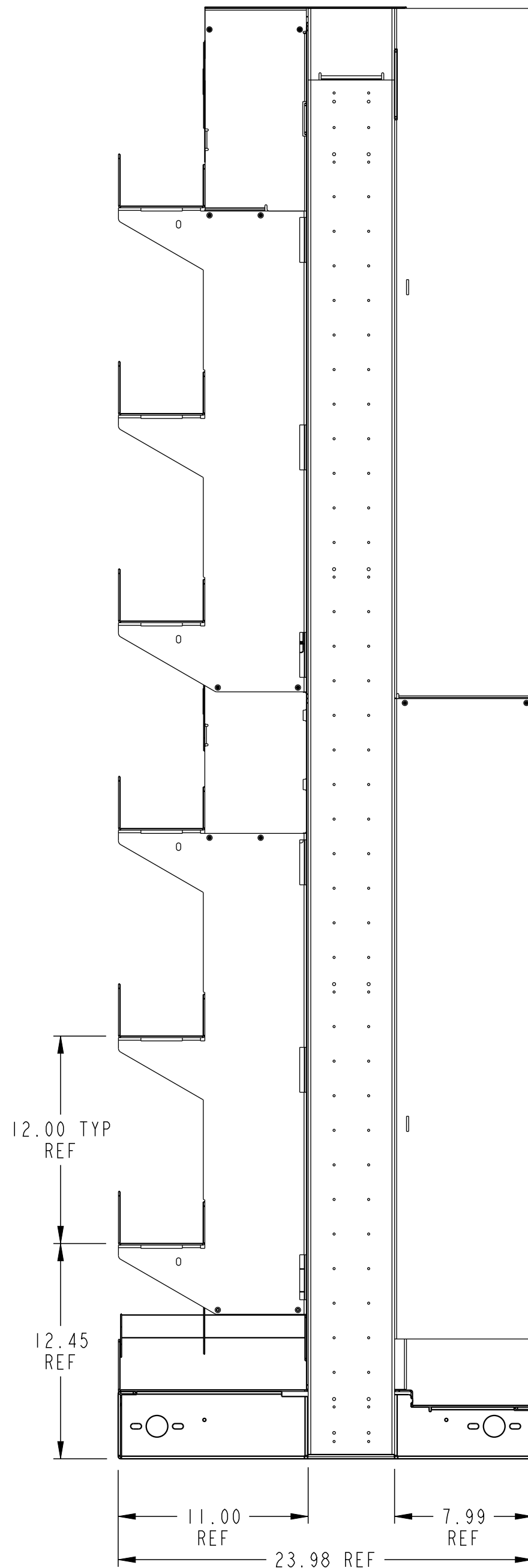
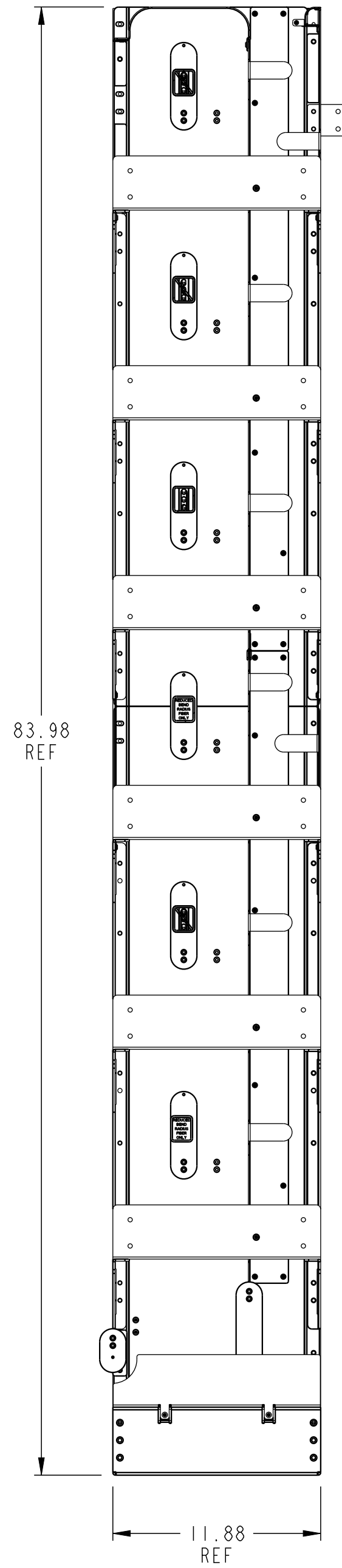
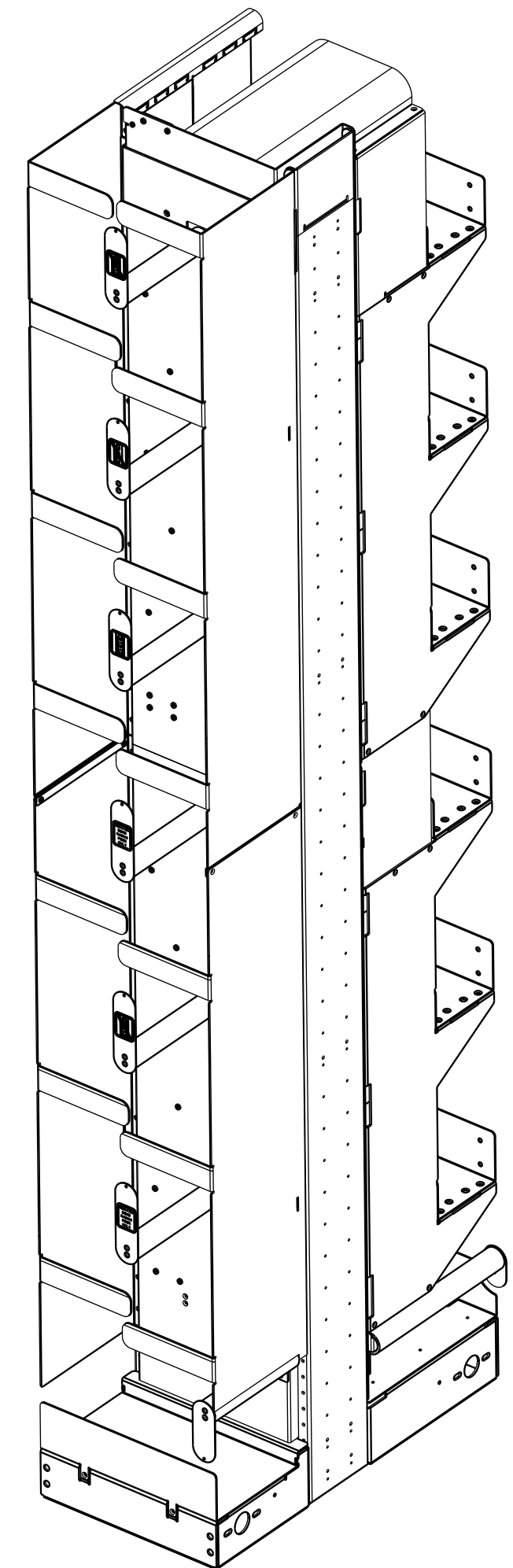


REV.	MCO	DWN	DATE
D	20343622	JCA	18-JUL-13
E	8000020611	LASR	02-MAR-17



REAR VIEW



FRONT VIEW

NG4-ACCFOTSP
CATALOG NUMBER

© 2016 COMMSCOPE, INC. CONFIDENTIAL
 NOTICE: THESE DRAWINGS AND SPECIFICATIONS
 ARE THE PROPRIETARY PROPERTY OF
 COMMSCOPE, INC. AND MAY BE USED ONLY FOR THE
 SPECIFIC PURPOSE AUTHORIZED IN WRITING BY
 COMMSCOPE, INC.

TITLE
 STORAGE PANEL NG4,
 INSTALL DRW

ALL DIMS AND TOLERANCES .XX:±N/A
 ARE INCHES UNLESS .XXX:±N/A
 OTHERWISE SPECIFIED ANGULAR:±N/A

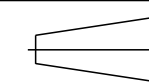
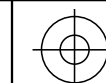
C SIZE
 DRAWING NUMBER
 300001763173

DO NOT SCALE DRAWING

ENGR: JIM SOLHEID
 DWN: C. HERNANDEZ

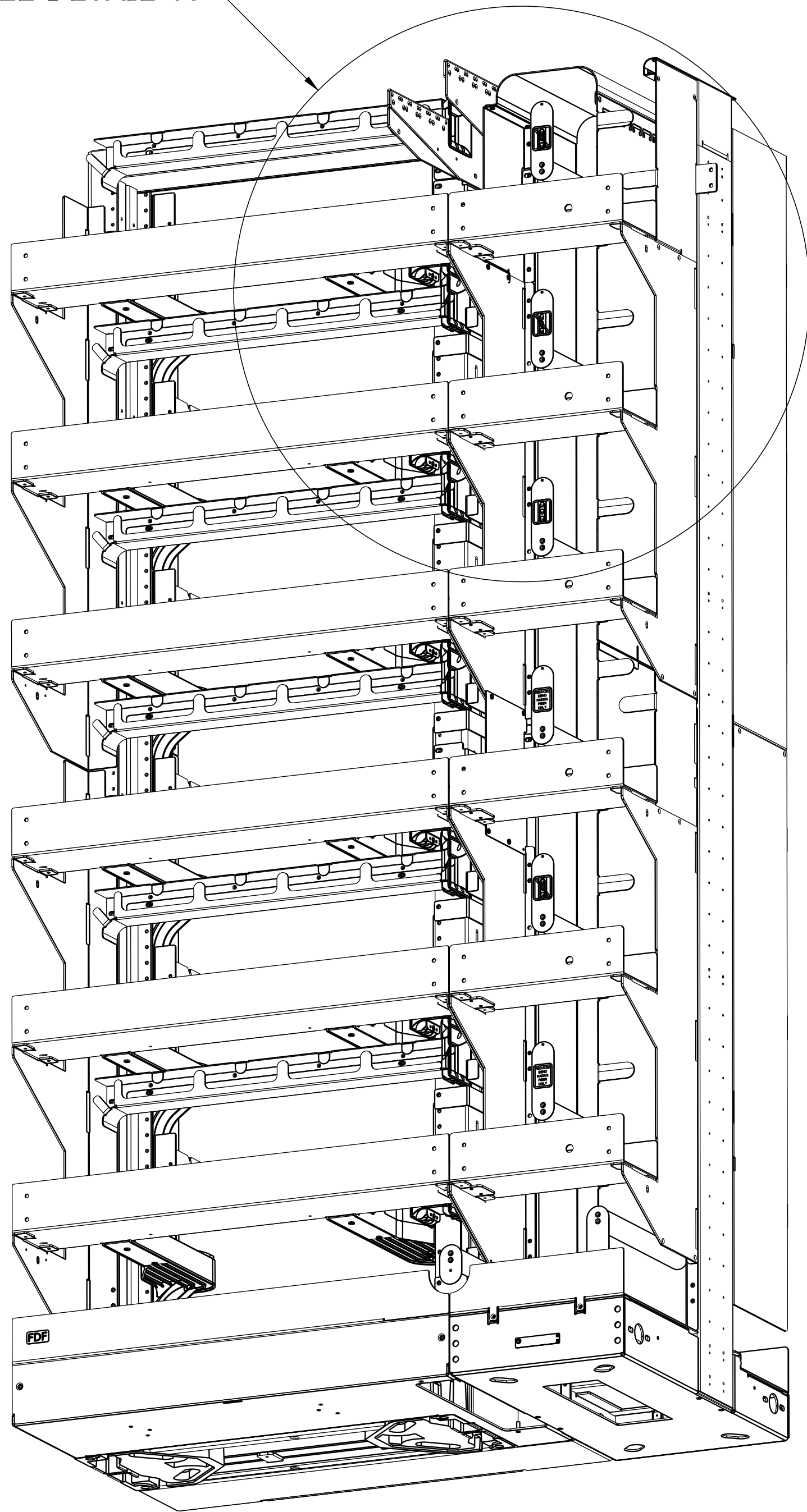
SHT. 1 OF 3

COMMSCOPE, INC.



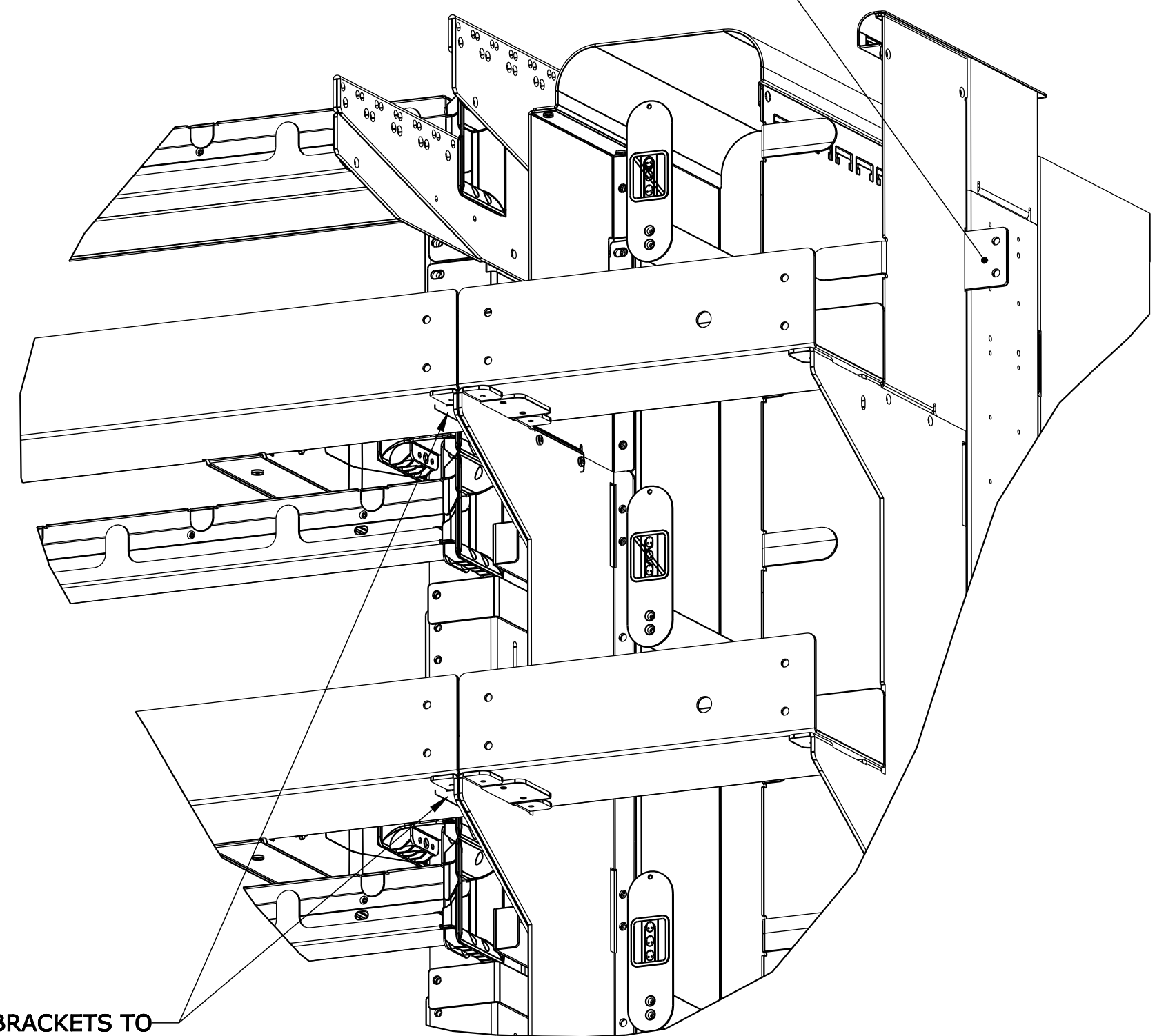
**DIMENSIONS IN INCHES
 THIRD ANGLE PROJECTION**

SEE DETAIL A



BACK ISO VIEW

BRACKET IS ONLY USED IF THERE IS AN NG4 END GUARD. USE SCREW #12-24 (QTY 4) AND STAR WASHER #12 (QTY 4).



INSTALL SUPPLIED BRACKETS TO TIE STORAGE BAY TROUGHS TO NG4 FRAME TROUGHS. USE SCREWS #10-32 (QTY 4) (6 PLACES)

DETAIL A
SCALE 0.250

COMMSCOPE, INC.

© 2016 COMMSCOPE, INC. CONFIDENTIAL
NOTICE: THESE DRAWINGS AND SPECIFICATIONS ARE THE PROPRIETARY PROPERTY OF COMMSCOPE, INC. AND MAY BE USED ONLY FOR THE SPECIFIC PURPOSE AUTHORIZED IN WRITING BY COMMSCOPE, INC.

TITLE
STORAGE PANEL NG4,
INSTALL DRW

ALL DIMS AND TOLERANCES .XX:±N/A
ARE INCHES UNLESS .XXX:±N/A
OTHERWISE SPECIFIED ANGULAR:±N/A

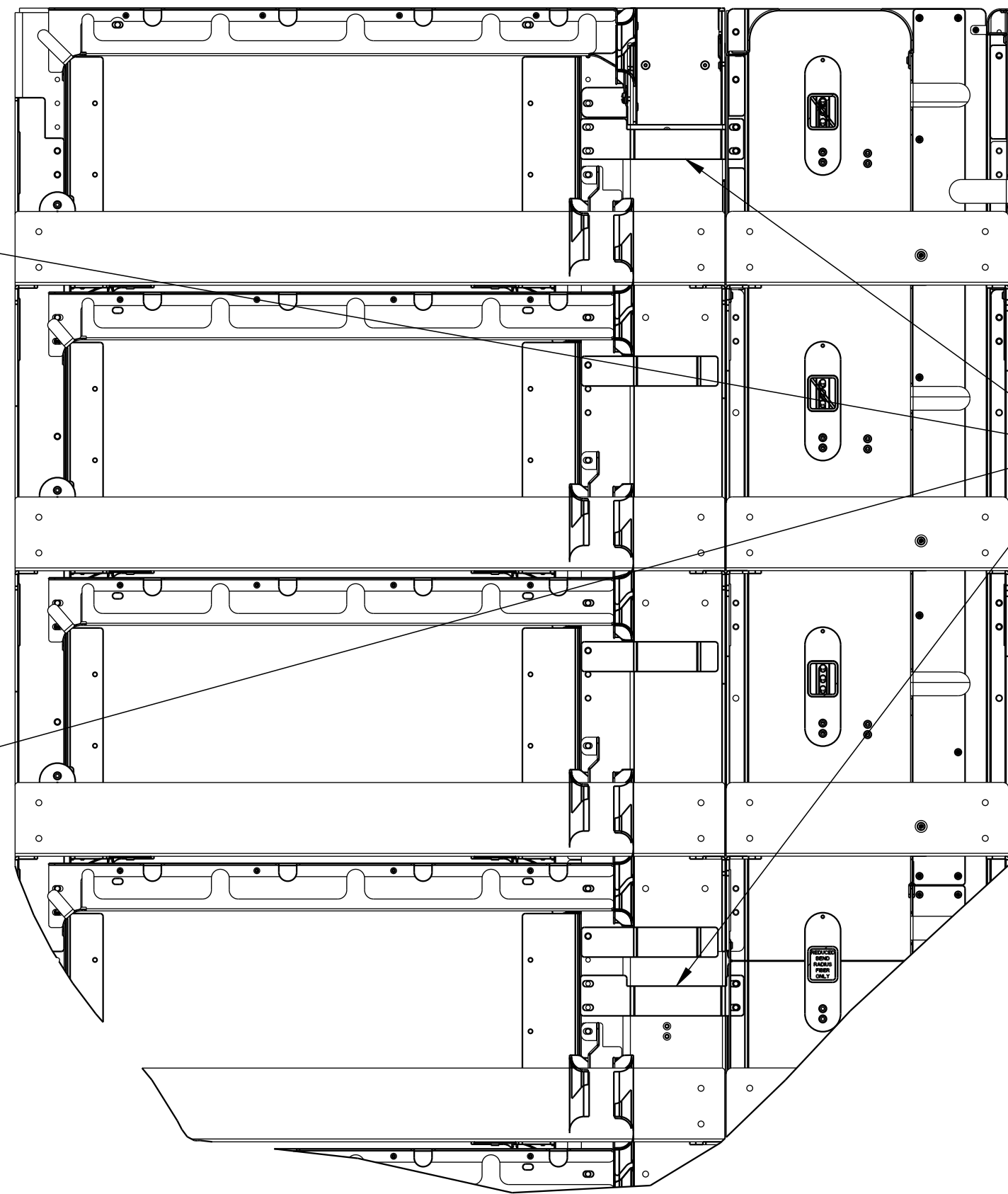
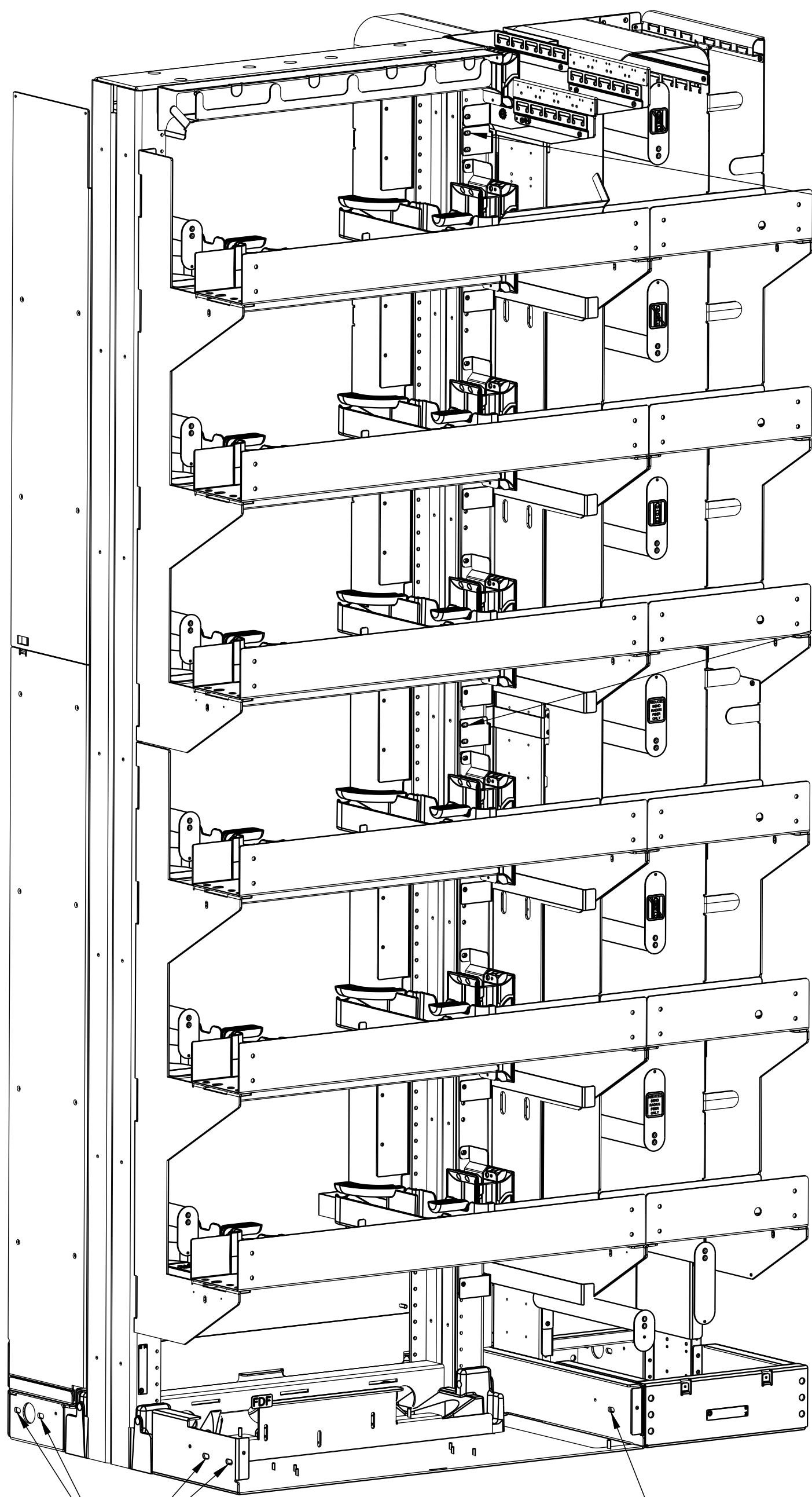
C SIZE DRAWING NUMBER
300001763173 E REV

DO NOT SCALE DRAWING

ENGR: JIM SOLHEID
DWN: C. HERNANDEZ

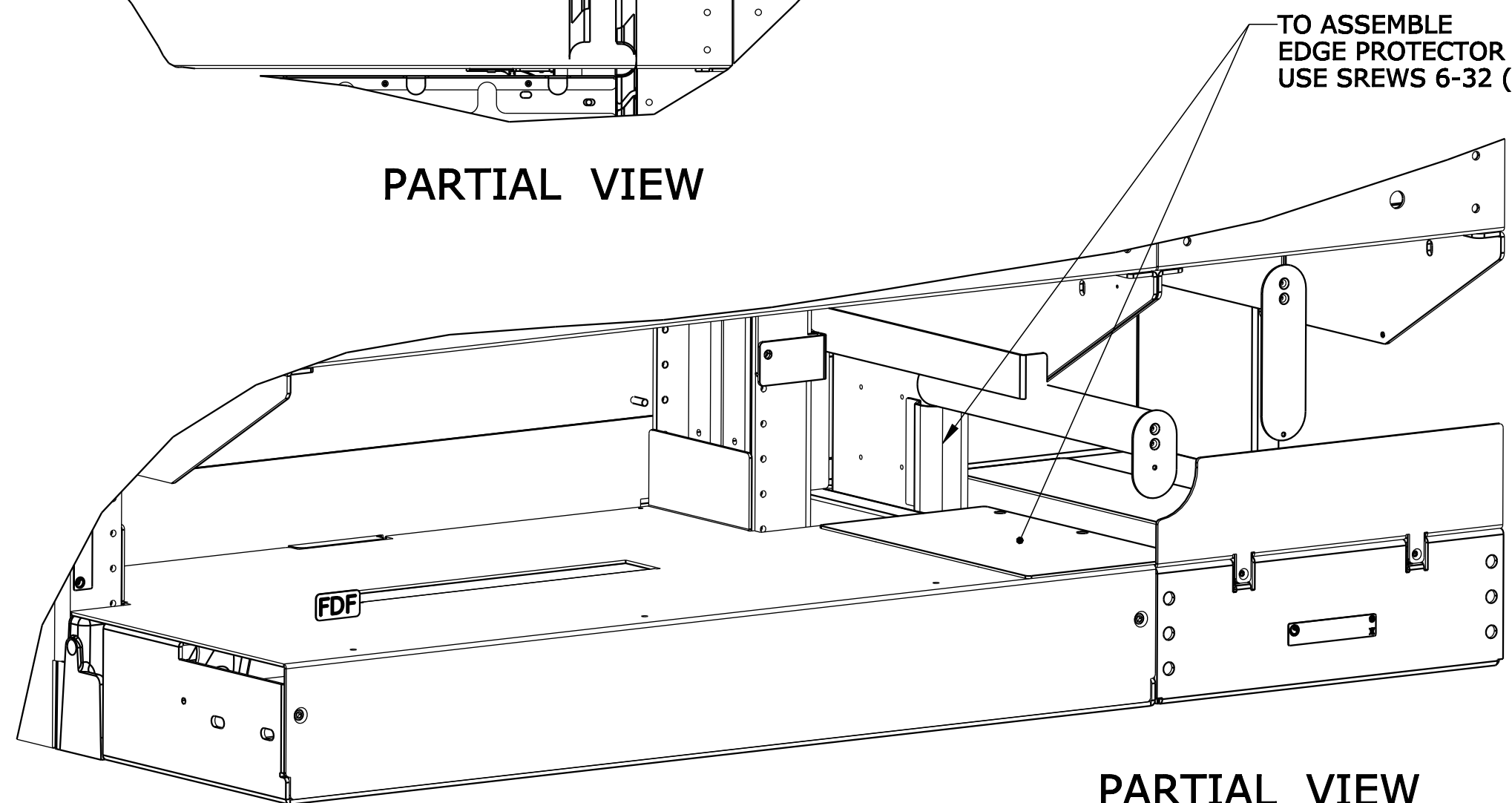
SHT. 2 OF 3

DIMENSIONS IN INCHES
THIRD ANGLE PROJECTION



PARTIAL VIEW

INSTALL SUPPLIED TIE BRACKETS TO SECURE FOTSP TO NG4 FRAMES. USE SCREWS #12-24 (QTY 4) AND STARWASHER #12 (QTY 4) (2 PLACES)



PARTIAL VIEW

TO ASSEMBLE EDGE PROTECTOR AND COVER USE SREWS 6-32 (QTY 5)

TO ASSEMBLE ENDGUARD USE 1/4-20 HEX BOLT (QTY 4), 1/4 WASHER FLAT (QTY 4), 1/4 LOCKWASHER (QTY 4), 1/4-20 HEX NUT (QTY 4) (OPPOSITE SIDE)

TO ASSEMBLE FOTSP USE 1/4-20 HEX BOLT (QTY 4), 1/4 WASHER FLAT (QTY 4), 1/4 LOCKWASHER (QTY 4), 1/4-20 HEX NUT (QTY 4) (THIS SIDE)

SCALE 0.250

COMMSCOPE, INC.

© 2016 COMMSCOPE, INC. CONFIDENTIAL
 NOTICE: THESE DRAWINGS AND SPECIFICATIONS ARE THE PROPRIETARY PROPERTY OF COMMSCOPE, INC. AND MAY BE USED ONLY FOR THE SPECIFIC PURPOSE AUTHORIZED IN WRITING BY COMMSCOPE, INC.

ALL DIMS AND TOLERANCES .XX:±N/A ARE INCHES UNLESS .XXX:±N/A OTHERWISE SPECIFIED ANGULAR:±N/A

DO NOT SCALE DRAWING

ENGR: JIM SOLHEID
 DWN: C. HERNANDEZ

TITLE STORAGE PANEL NG4, INSTALL DRW

DRAWING NUMBER 300001763173

SHT. 3 OF 3

DIMENSIONS IN INCHES
 THIRD ANGLE PROJECTION