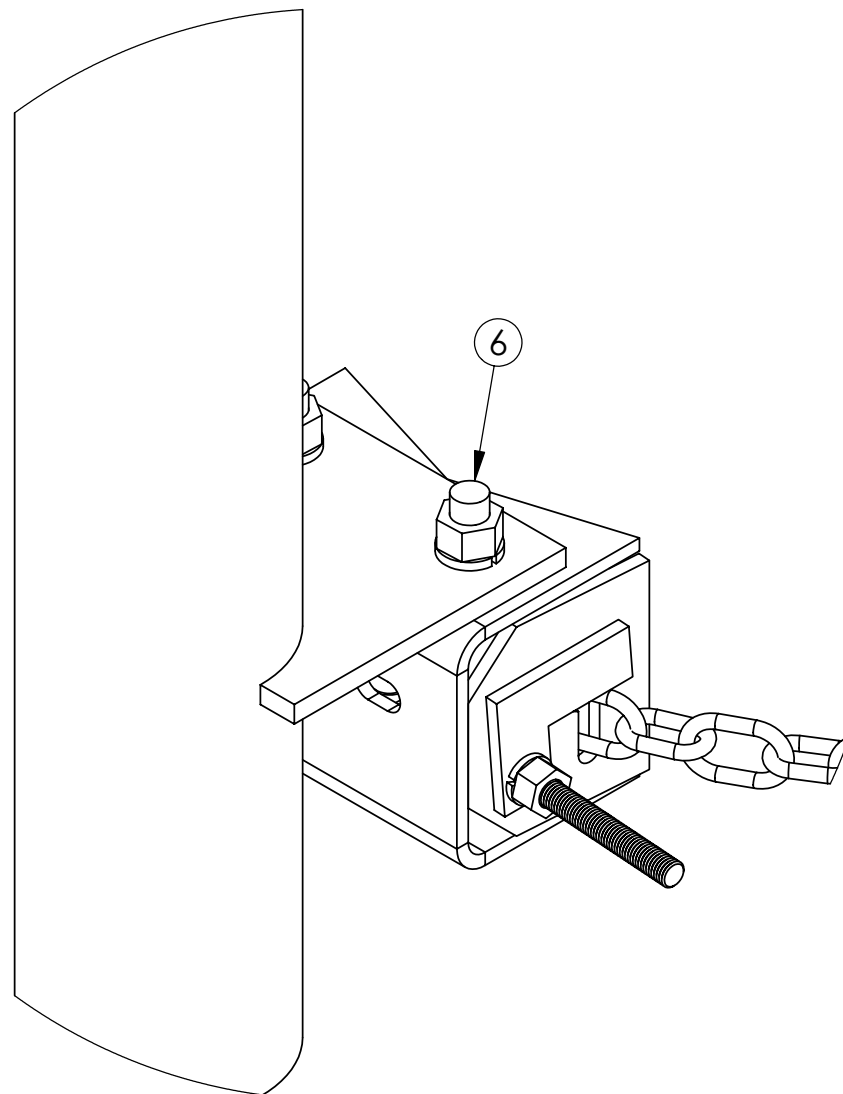
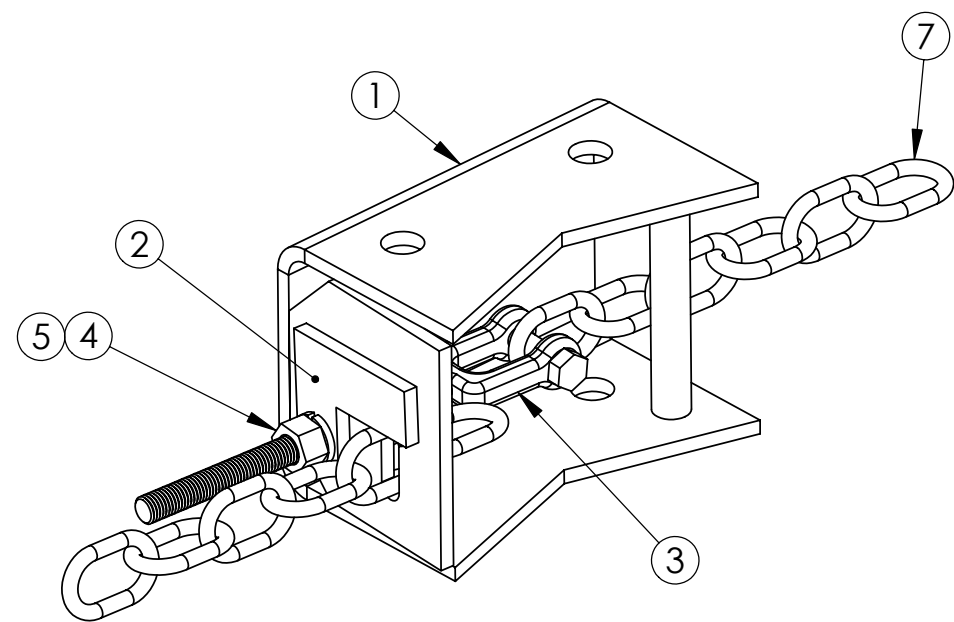


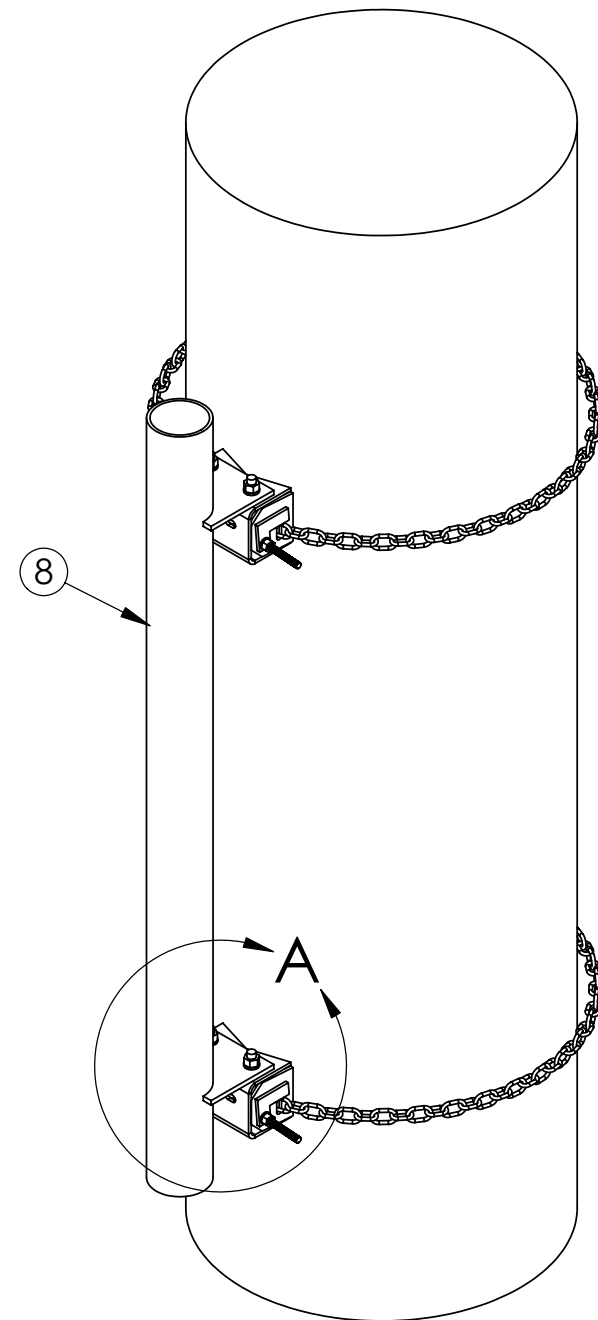
ITEM	PART NO.	DESCRIPTION	QTY.	WEIGHT
1	CM.01	CHAIN MOUNT ANCHOR	2	5.95 LBS
2	CM.03	CHAIN LOCK	2	0.27 LBS
3	CM.04	1/2" RIGHT HAND THREAD JAW	2	0.55 LBS
4	GWL-04	1/2" GALV LOCK WASHER	2	0.01 LBS
5	GN-04	1/2" GALV HEX NUT (C2)	2	0.04 LBS
6	GB-0516A	5/8" X 1-3/4" GALV BOLT KIT (A325)	4	0.25 LBS
7	G4-0-XXX	G-40 CHAIN (SEE TABLE)	2	
8	MT-XXX	PIPE MOUNT (SEE TABLE)		

PART NUMBER	WEIGHT	PIPE MOUNT	QTY	CHAIN	CHAIN LENGTH
CM-L30-B	26.14 LBS	NONE	0	G4-0-96	8ft
CM-L30-63	90.64 LBS	MT-395	1	G4-0-96	8ft
CM-L60-B	38.14 LBS	NONE	0	G4-0-192	16ft
CM-L60-63	102.64 LBS	MT-395	1	G4-0-192	16ft

REVISIONS				
REV.	ZONE	DESCRIPTION	BY	DATE
A		INITIAL RELEASE	AW	12/16/04



DETAIL A



NOTES:

- ATTACH THE PIPES OR PIPE MOUNTS TO THE BRACKETS PRIOR TO ADDING THE JAW- BOLT/CHAIN ASSEMBLY

These drawings and specifications are the proprietary property of ANDREW CORPORATION and may be used only for the specific purpose authorized in writing by Andrew Corporation.

ALL DIMENSIONS ARE IN INCHES U.O.S.  
TOLERANCES UNLESS OTHERWISE SPECIFIED:  
.X = .06 ANGLES 2°  
.XX = .03 FRACTIONS 1/32  
.XXX = .010

REMOVE BURRS AND BREAK EDGES .005

DO NOT SCALE THIS PRINT

DRAWN BY: AW	SHEET: 1 of 1
CHECKED BY: TP	SCALE: NTS
DATE: 12/16/04	MATERIAL: A36
REVISION: A	FINISH: GALV A123
	WEIGHT: SEE TABLE

PART NUMBER: <b>CM-L SERIES</b>
DESCRIPTION: LIGHT DUTY CHAIN MOUNT
DRAWING TYPE: ASSEMBLY DRAWING

ORLAND PARK, IL. 60462 U.S.A.