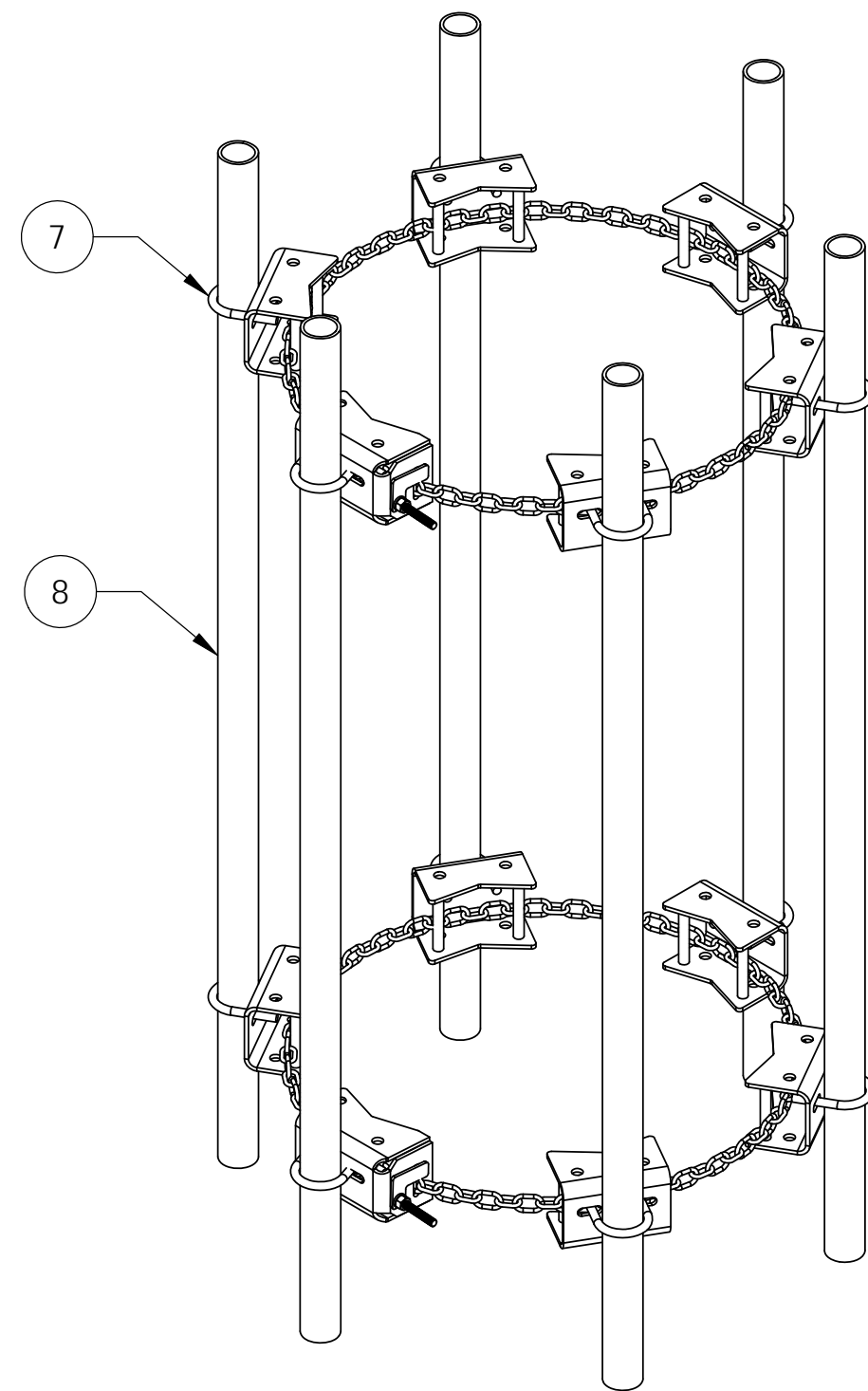
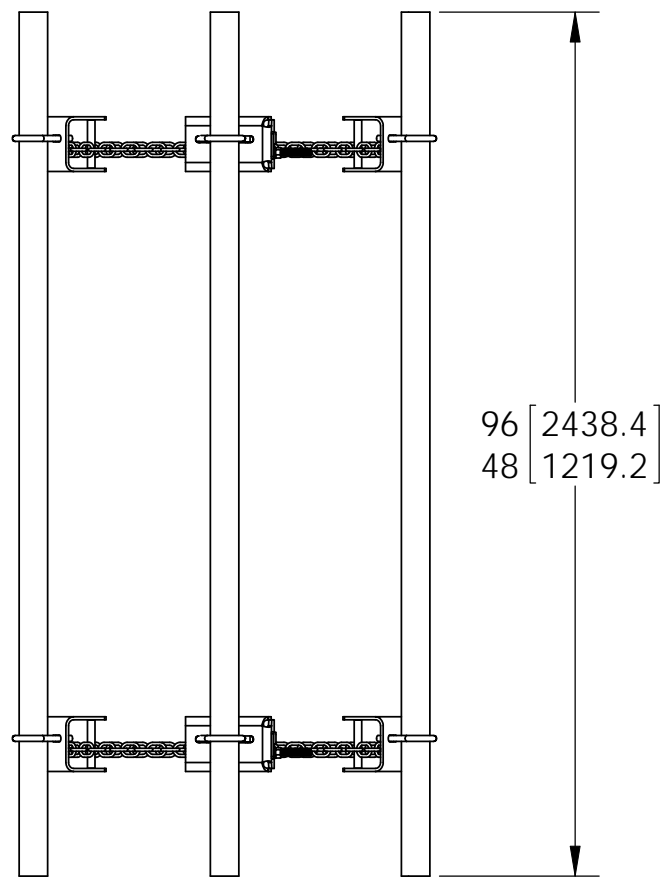
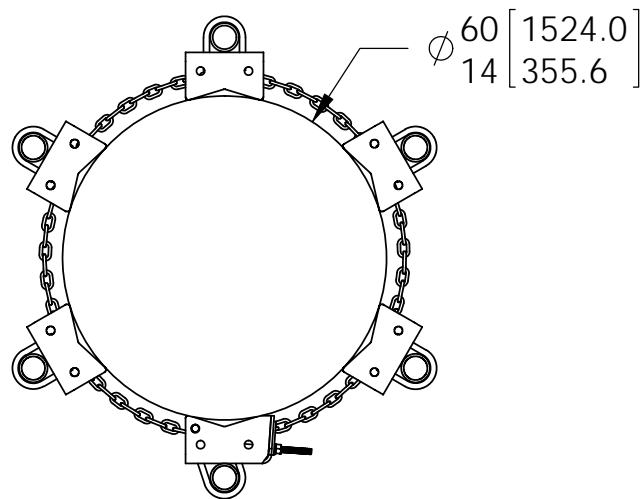
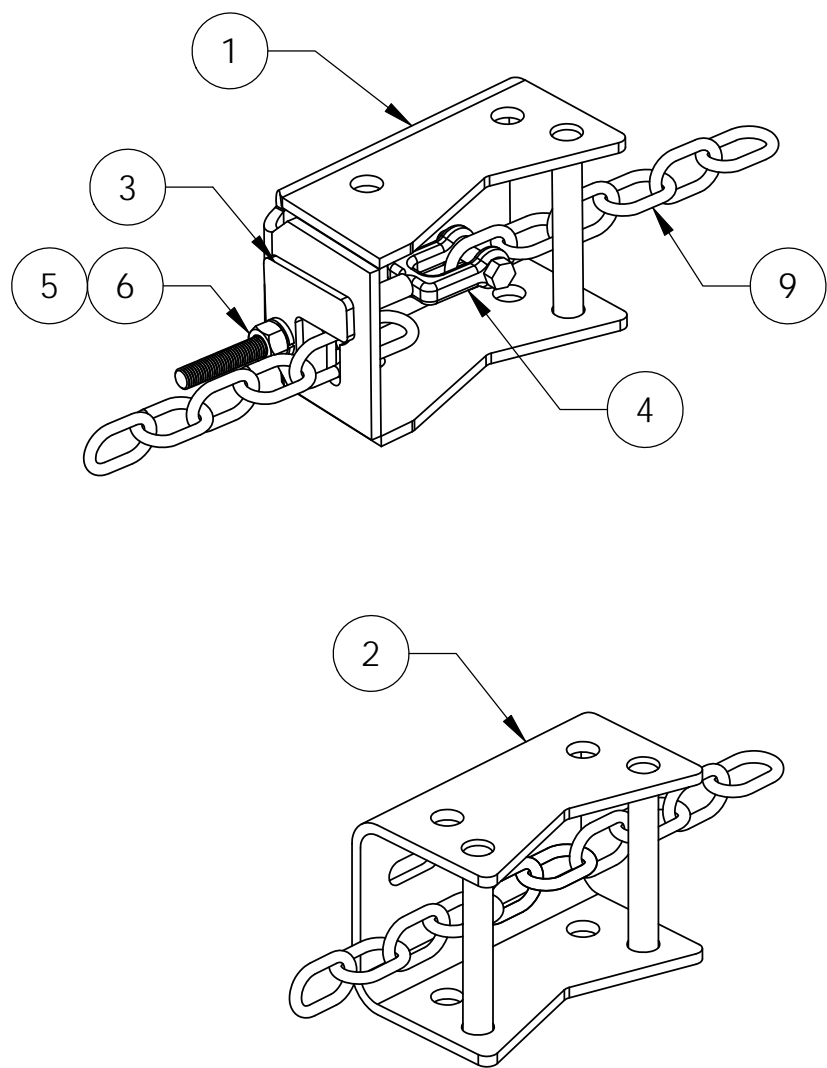



ITEM	PART NO.	DESCRIPTION	QTY.	WEIGHT
1	CM01	Chain Mount Anchor	2	6.17 LBS
2	CM.02	CHAINMOUNT SLIDER	10	5.34 LBS
3	CM.03	CHAIN LOCK	2	0.20 LBS
4	CM.04	1/2" X 6" Under Jaw Turnbuckle	2	0.68 LBS
5	GWL-04	1/2" GALV LOCK WASHER	2	0.01 LBS
6	GN-04	1/2" GALV HEX NUT	2	0.02 LBS
7	GUB-4240	1/2" X 2-1/2" X 4" GALV U-BOLT	12	0.57 LBS
8	MT-XXX	Ø 2-3/8" O.D. PIPE (SEE TABLE)	-	
9	G-4-XXX	CHAIN (SEE TABLE)	2	

REVISIONS				
REV.	ZONE	DESCRIPTION	BY	DATE
A		INITIAL RELEASE	ACG	01/17/06
B		ADDED NEW KIT	ACG	10/26/06
C		UPDATE BOM	OGG	9/21/2010

PART NUMBER	WEIGHT	PIPE MOUNT	QTY	CHAIN	CHAIN LENGTH
CM-606-B	99 LBS	NONE	0	G4-0-192	16ft
CM-606-48	201 LBS	MT-650	6	G4-0-192	16ft
CM-606-72	231 LBS	MT-651	6	G4-0-192	16ft
CM-606-96	275 LBS	MT-651-96	6	G4-0-192	16ft



NOTES:
1. ALL METRIC DIMENSIONS ARE IN BRACKETS.

<small>These drawings and specifications are the proprietary property of ANDREW CORPORATION and may be used only for the specific purpose authorized in writing by Andrew Corporation.</small> ALL DIMENSIONS ARE IN INCHES U.O.S. TOLERANCES UNLESS OTHERWISE SPECIFIED: .X = ± .12 ANGLES ±2° .XX = ± .06 FRACTIONS ±1/32 .XXX = ± .003 REMOVE BURRS AND BREAK EDGES .005 DO NOT SCALE THIS PRINT	DRAWN BY: ACG	SHEET: 1 of 1	PART NUMBER: CM-606 SERIES
	CHECKED BY: TP	SCALE: NTS	DESCRIPTION: 6-SECTOR CHAIN MOUNT
	DATE: 01/17/06	MATERIAL: A36, A53	DRAWING TYPE: ASSEMBLY DRAWING
	REVISION: C	FINISH: GALV A123	
	WEIGHT: 253.28 LBS	ORLAND PARK, IL. 60462 U.S.A.	