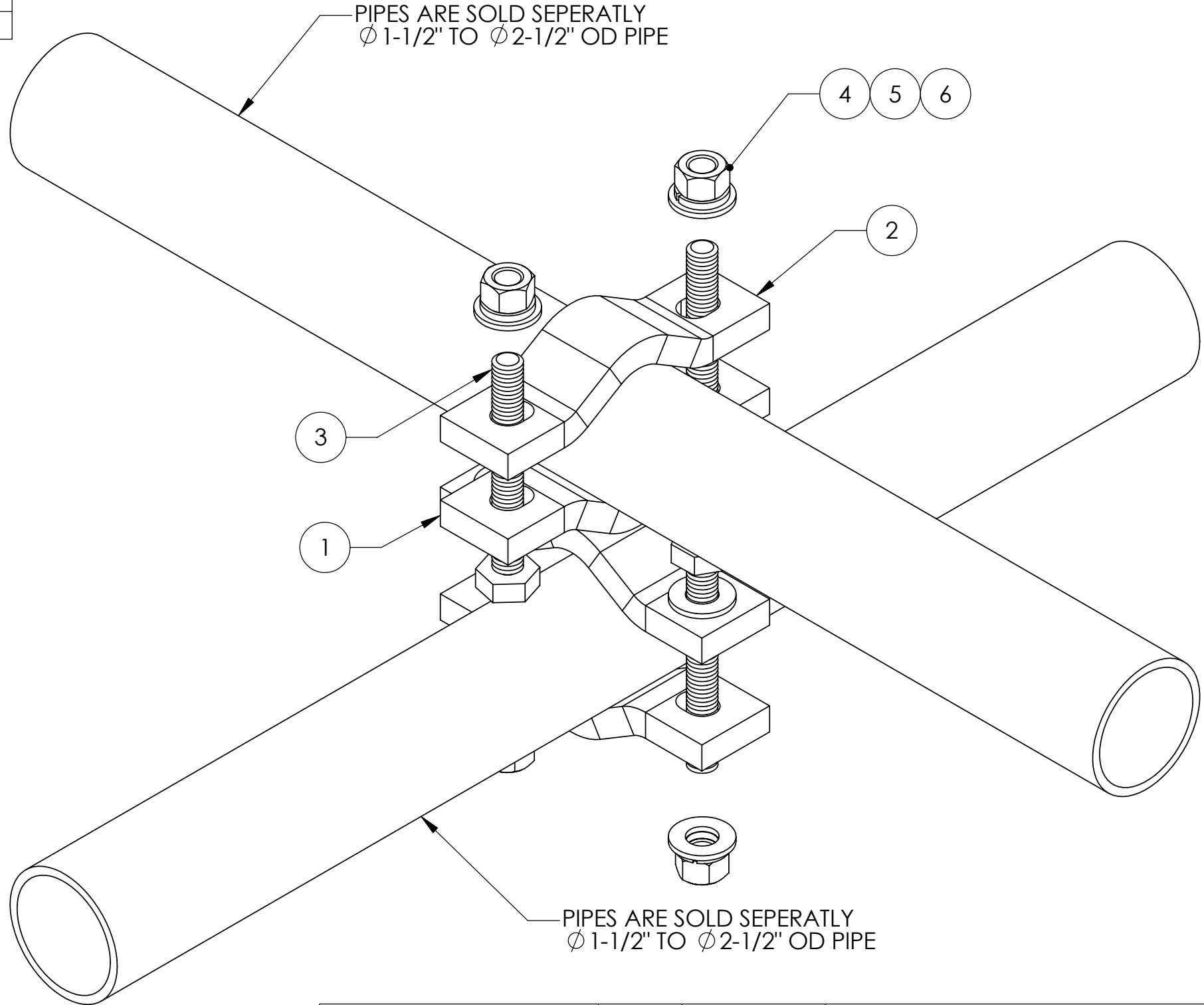
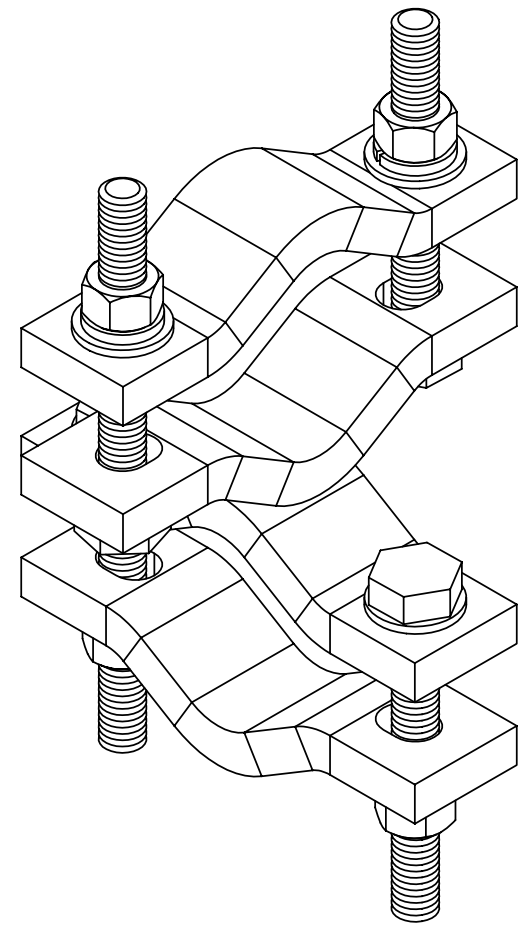


ITEM	PART NO.	DESCRIPTION	QTY.	WEIGHT
1	CROSS	DISH TO SMALL CROSSOVER CLAMP	1	2.40 LBS
2	SCP10	SMALL DISH CLAMP HALF	2	1.20 LBS
3	1204FTB	1/2" x 4" FULL THREAD GALV. BOLT	4	0.23 LBS
4	GN-04	1/2" GALV HEX NUT	4	0.33 LBS
5	GWL-04	1/2" GALV LOCK WASHER	4	0.01 LBS
6	GWF-04	1/2" GALV FLAT WASHER	8	0.07 LBS

REVISIONS				
REV.	ZONE	DESCRIPTION	BY	DATE
A		INITIAL RELEASE	ML	02/29/00
B		REVISED & REDRAWN	JTS	04/09/01
C		UPDATE PART LIST	ACG	08/15/06



NOTES:
 1. JOINS TWO $\phi 1-1/2"$ TO $\phi 2-1/2"$ O.D. ROUND MEMBERS.

<small>These drawings and specifications are the proprietary property of ANDREW CORPORATION and may be used only for the specific purpose authorized in writing by Andrew Corporation.</small> ALL DIMENSIONS ARE IN INCHES U.O.S. TOLERANCES UNLESS OTHERWISE SPECIFIED: .X = $\pm .06$ ANGLES $\pm 2'$.XX = $\pm .03$ FRACTIONS $\pm 1/32$.XXX = $\pm .010$ REMOVE BURRS AND BREAK EDGES .005 DO NOT SCALE THIS PRINT	DRAWN BY: ACG	SHEET: 1 of 1	PART NUMBER: CC-100
	CHECKED BY: TP	SCALE: NTS	DESCRIPTION: CROSSOVER CLAMP
	DATE: 06/22/05	MATERIAL: A36	DRAWING TYPE: ASSEMBLY DRAWING
	REVISION: C	FINISH: GALV A123	WEIGHT: 6.09 LBS

