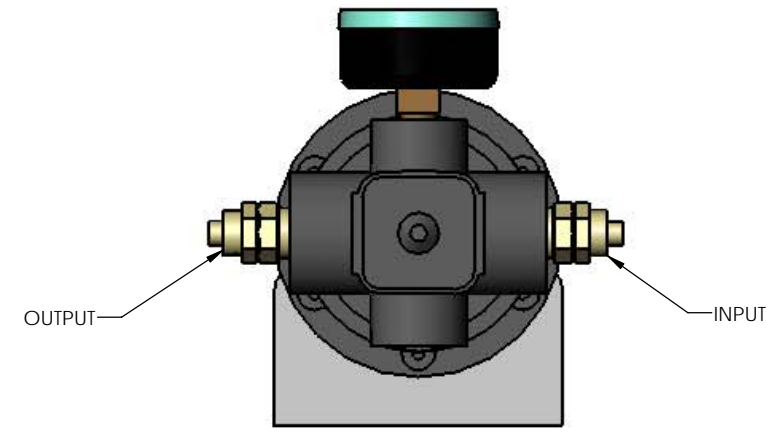
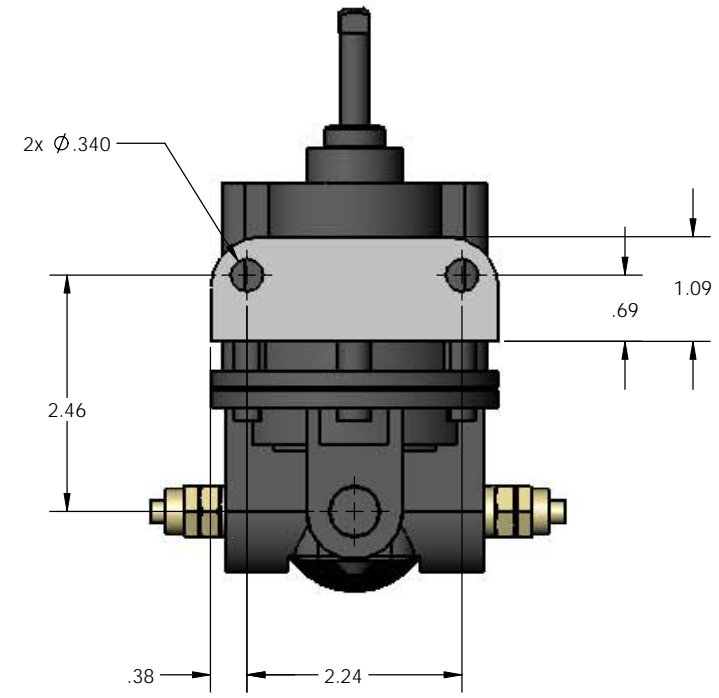
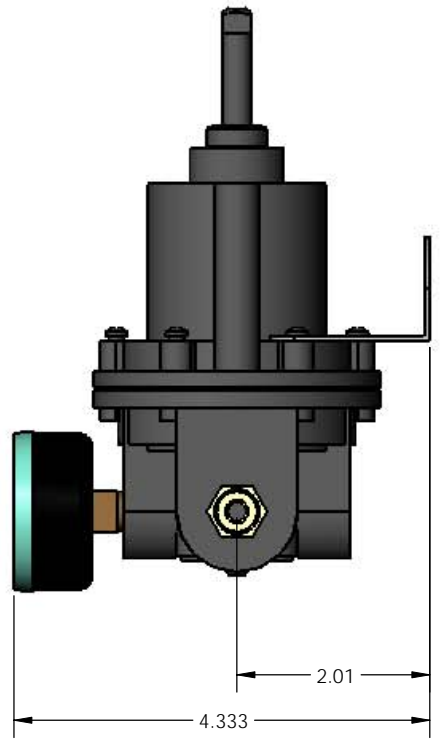
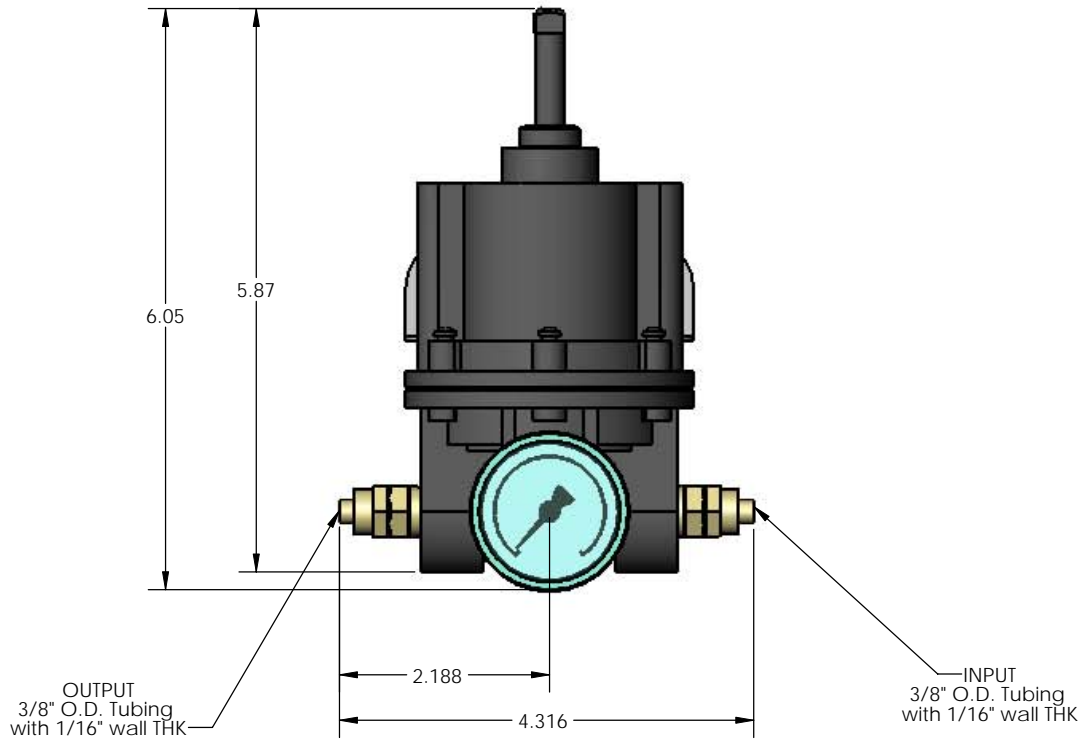
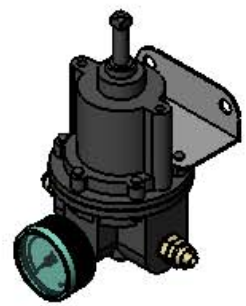
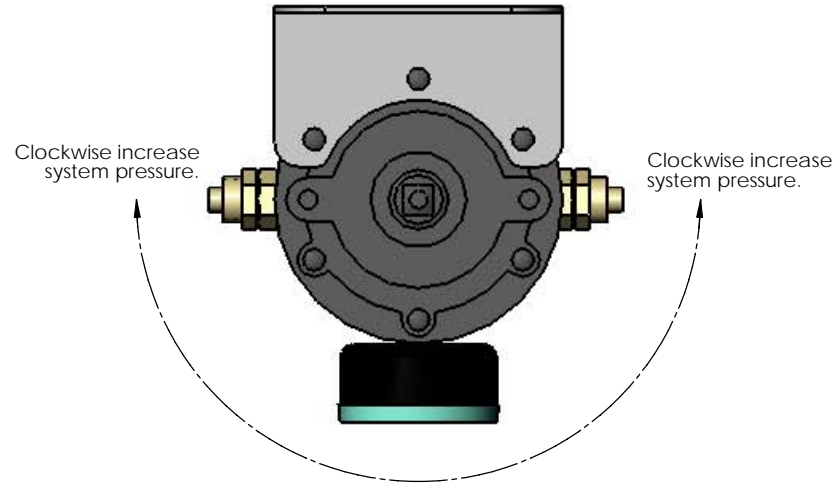


NOTES:

REVISIONS			
REV	DESCRIPTION	DATE	APPROVED



**DIMENSIONS ARE FOR REFERENCE ONLY**

MATERIAL	DENSITY:	UNLESS OTHERWISE SPECIFIED DIMENSIONS ARE IN INCHES INTERPRET PER ANSI Y14.5M-1994	THIRD ANGLE PROJECTION		WESTCHESTER, IL. 60154 U.S.A.	
	MASS:					
FINISH	TOLERANCES		DRAWN BY: SBB 17NOV08	SIZE	CAGE CODE	DOCUMENT NO.
	1 PLACE .X ±	2 PLACE .XX ±		D		
	3 PLACE .XXX ±	ANGLES ±	ECN	DRAWING		
	ALL SURFACES ✓	AUTH. GROUP	MODEL	VERSION	STATUS	REVISION
NOTICE: These drawings and specifications are the proprietary property of ANDREW CORPORATION and may be used only for the specific purpose authorized in writing by Andrew.						
			VERSION	STATUS	REVISION	SHEET
						1 OF 1