



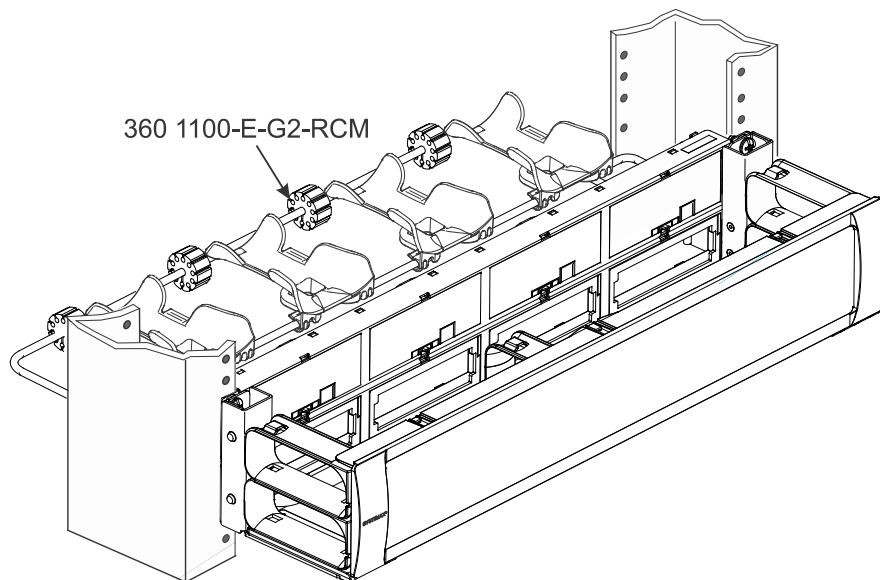
## SYSTIMAX 360™ 1100 Evolve G2 Rear Cable Management System Instructions

### General

The **SYSTIMAX 360™ 1100 Evolve G2** rear cable management system provides for the secure management of MPO fiber subunit cables that terminate into 360 **InstaPATCH®** modules or 360 Distribution Panels in a mixed-media application.

Ordering information is listed below:

Material ID	Part No.	Description
760175919	360 1100-E-G2-RCM	360 1100 Evolve G2 rear cable management



**SYSTIMAX 360™ 1100 Evolve G2 Rear Cable Management System  
Installed in a Mixed-Media Application**

### How to Contact Us

- To find out more about **CommScope®** products, visit us on the web at <http://www.commscope.com/>
- For technical assistance:
  - Within the United States, contact your local account representative or technical support at 1-800-344-0223. Outside the United States, contact your local account representative or Authorized Business Partner.
  - Within the United States, report any missing/damaged parts or any other issues to **CommScope** Customer Claims at 1-866-539-2795. Outside the United States, contact your local account representative or Authorized Business Partner.

## Parts List

Verify parts against the parts list below:

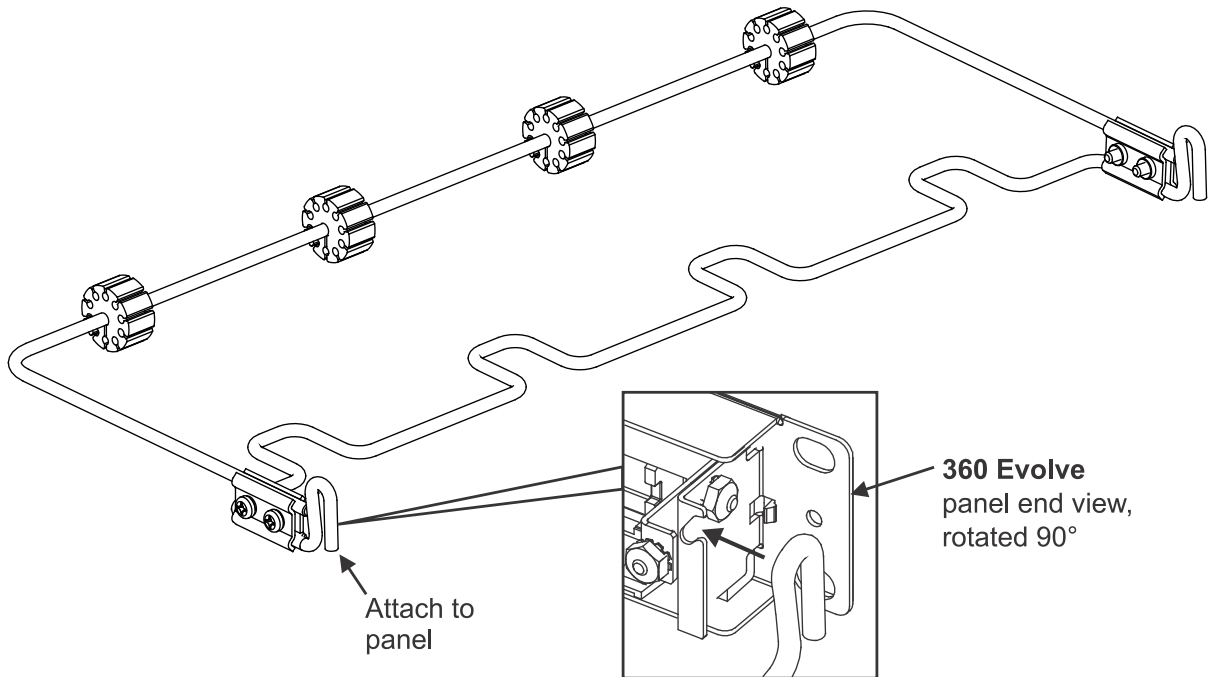
Quantity	Description
1	Fiber management bar
4	Fiber routing clips
1	Roll of hook and loop strip
1	Instruction sheet



### Important Safety Cautions

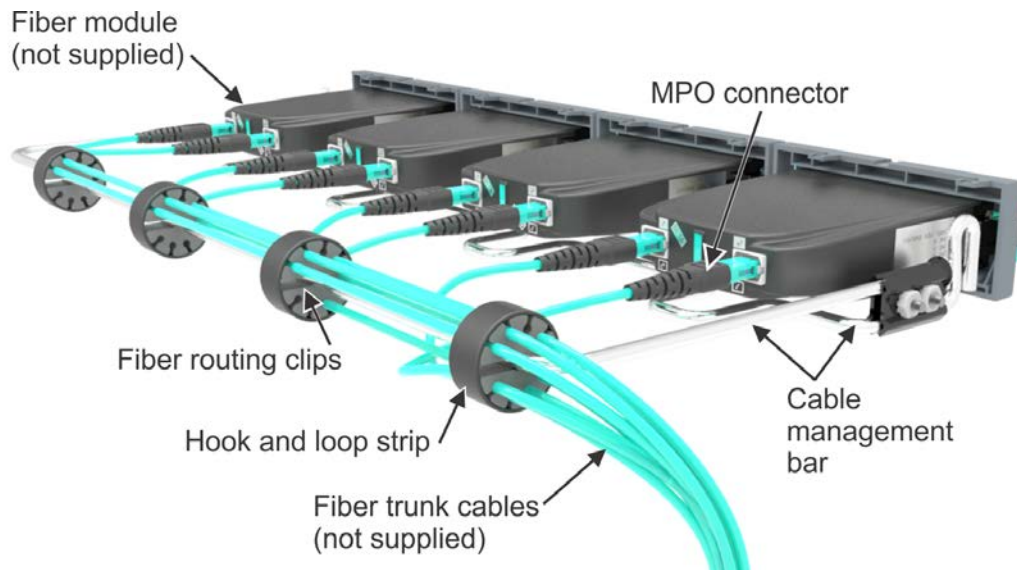
- To reduce the risk of fire, electric shock, and injury to persons, read, understand, and adhere to the following instructions as well as any warnings marked on the product.
- Remote risk of electric shock. Never install the product in wet locations or during lightning storms. Never touch uninsulated communication wires or terminals.
- Disconnected optical components may emit invisible optical radiation that can damage your eyes. Never look directly into an optical component that may have a laser coupled to it. Serious and permanent retinal damage is possible. If accidental exposure to laser radiation is suspected, consult a physician for an eye examination.
- Wear safety glasses to install the shelf. Although standard safety glasses provide no protection from potential optical radiation, they offer protection from accidental airborne hardware and cleaning solvents.
- Fiber optic trunk cable and jumper performance is sensitive to bending, pulling, and crushing. Minimum bend radius must be maintained during installation per the manufacturer's specification. Appropriate pulling socks must be used during installation, and pulling forces shall not exceed manufacturer's recommendations. MPO terminated trunk cables may use ribbonized fiber optic cable, which has a preferential bend axis. Use caution to avoid kinking trunk cables.
- Prior to installation, clean the trunk cable and jumper connectors per the manufacturer's recommendations.
- All wiring that connects to this equipment must meet applicable local and national building codes and network wiring standards for communication cable.

## Step 1 – Install Fiber Trunk Cable Management Bar on Rear of Panel



1. Attach fiber management bar to rear of panel, immediately behind fiber row.
  - Place hook at either end of bar into slot in bracket at ends of panel as shown.

## Step 2 – Install and Route Fiber Trunk Cables



1. Terminate MPO connectors into modules or panels.
2. Slip fiber routing clips over fiber clips management bar approximately where required.
3. Spread open a slot position provided on fiber routing clip and secure fiber cable inside.
4. Repeat until all cables are secured and adjust position of clips as required for a smooth routing.
5. When a satisfactory routing is completed, wrap a strip of hook and loop fastener around each fiber routing clip to secure cables.