



Cable Runway Grounding Kit Instructions

General

The cable runway grounding kit includes all materials necessary to install a grounding circuit between two sections of ladder rack cable runway.

Ordering information is listed below:

Material ID	Part No.	Description
760109124	CRGND	Cable runway grounding kit

How to Contact Us

- To find out more about **CommScope®** products, visit us on the web at <http://www.commscope.com/>
- For technical assistance:
 - Within the United States, contact your local account representative or technical support at 1-800-344-0223. Outside the United States, contact your local account representative or Authorized Business Partner.
 - Within the United States, report any missing/damaged parts or any other issues to CommScope Customer Claims at 1-866-539-2795. Outside the United States, contact your local account representative or Authorized Business Partner.

Tools Required

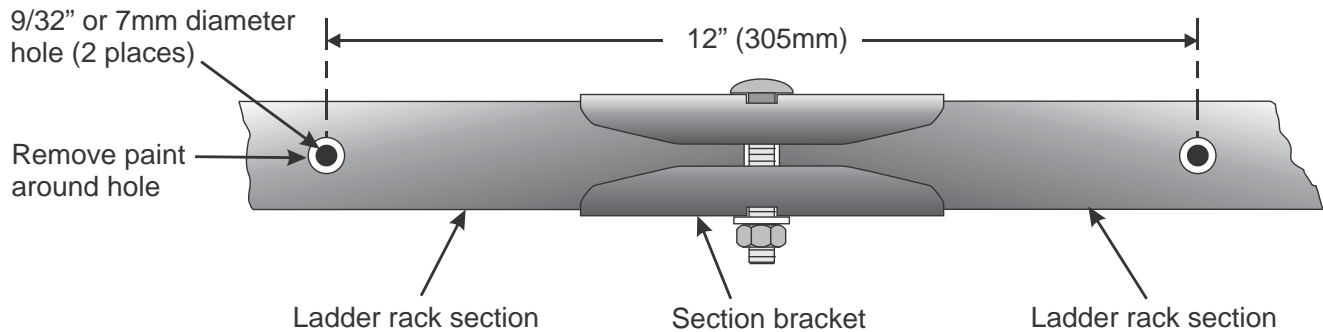
- Driver with 7/16" socket
- 7/16" open end wrench or adjustable wrench
- Drill with 9/32" or 7mm drill bit

Parts List

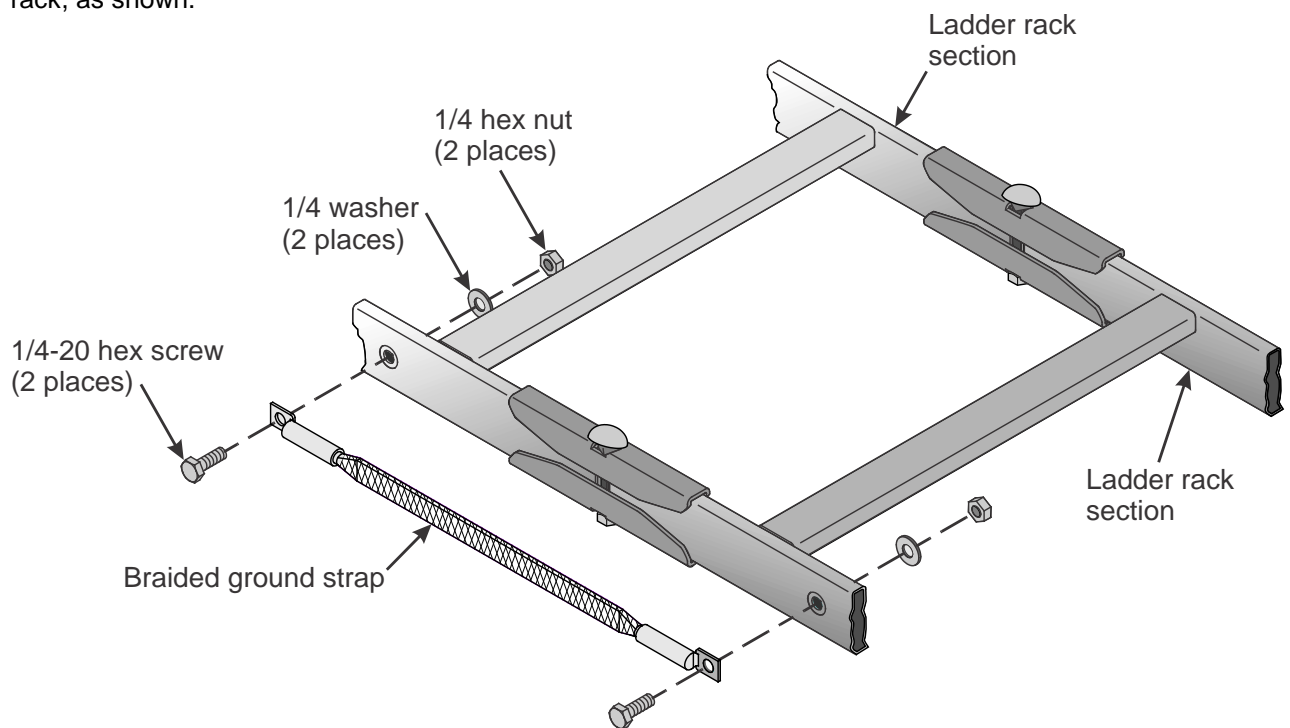
Verify parts against the parts list below:

Quantity	Description
1	Braided ground strap
2	1/4-20 hex screws
2	1/4" flat washers
2	1/4" hex nuts

Prepare Ladder Rack Sections and Install Ground Kit



1. Drill two 9/32 inch or 7mm diameter holes 12 inches (305mm) apart through one side rail of two adjoining ladder rack sections.
2. Remove paint over an area of approximately 0.5 inch (13mm) around holes on both sections of ladder rack, as shown.



3. Using the provided hardware, attach the braided ground strap to two joined sections of ladder rack. Be sure to span two rack sections.
4. Use a wrench and driver to secure the braided ground strap to the ladder rack.