



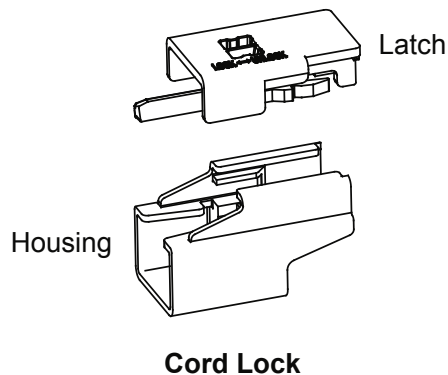
SecureMAX Cord Lock Instructions

General

The **SYSTIMAX® SecureMAX** cord locks are compatible with GS8E-, GS10E-, and GSXP-type patch cords only. The cord lock key is required to release the cord lock.

Ordering information is listed below:

Material ID	Part No.	Description
760099424	SM-CL	Cord lock
760099432	SM-CL-KEY	Cord lock key

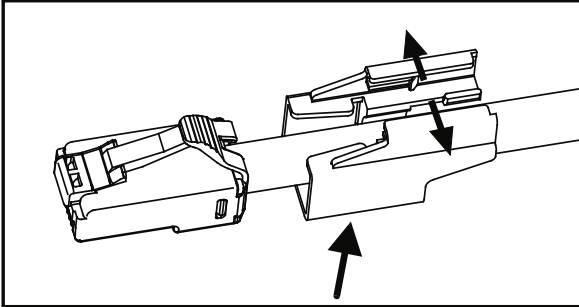


How to Contact Us

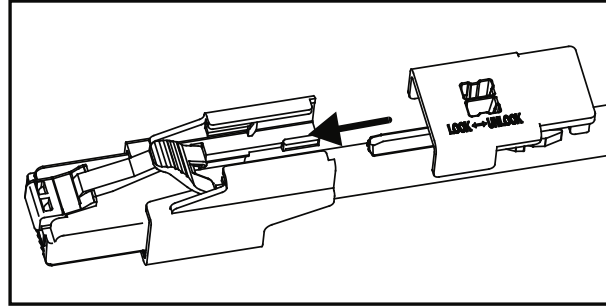
- To find out more about **CommScope®** products, visit us on the web at <http://www.commscope.com/>
- For technical assistance:
 - Within the United States, contact your local account representative or technical support at 1-800-344-0223. Outside the United States, contact your local account representative or Authorized Business Partner.
 - Within the United States, report any missing/damaged parts or any other issues to CommScope Customer Claims at 1-866-539-2795. Outside the United States, contact your local account representative or Authorized Business Partner.

Step 1 – Assemble Cord Lock onto a SYSTIMAX RJ45 Plug

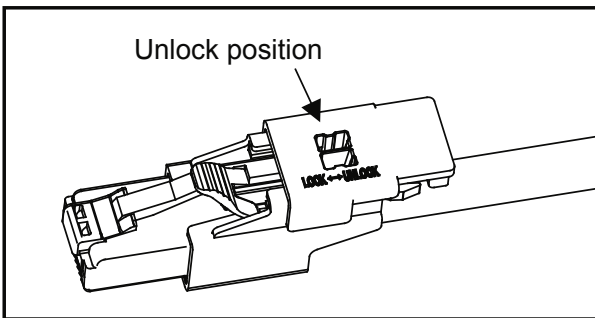
Note: If being installed on a connected patch cord, it is not necessary to disconnect the cord for this step.



1. Insert housing section over patch cord as shown and slide over RJ45 plug.

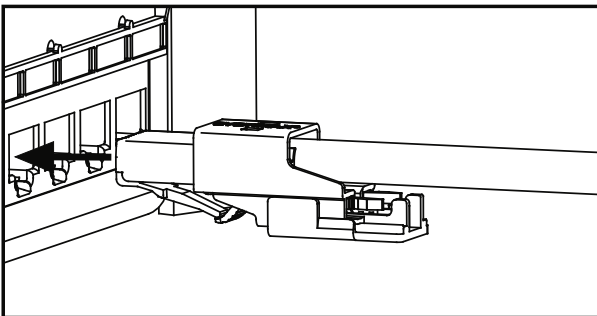


2. Position latch section as shown and slide over housing to the Unlock position.

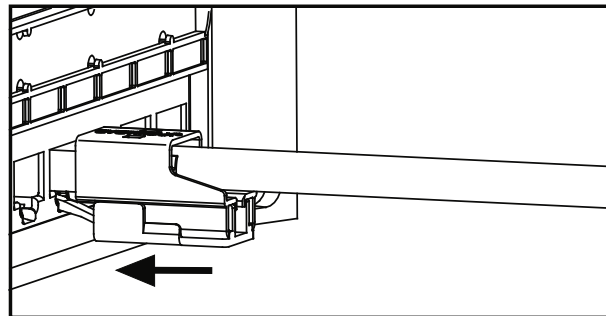


3. Latch section in the Unlock position over housing.

Step 2 – Connecting Cord Lock

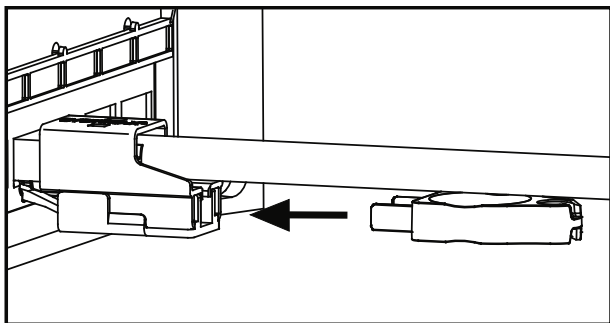


1. Connect **SYSTIMAX** patch cord into application.

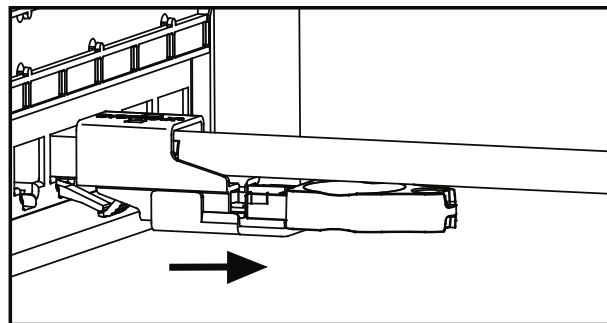


2. Slide latch section towards application until an audible click is heard. The cord lock is now installed.

Step 3 – Disconnecting Cord Lock



1. Insert key into latch section of cord lock until an audible click is heard.



2. Slide latch section towards key to the unlock position. Depress tab on patch cord and remove cord.