

5" (127 mm)



M208SMB Multimedia Box Installation

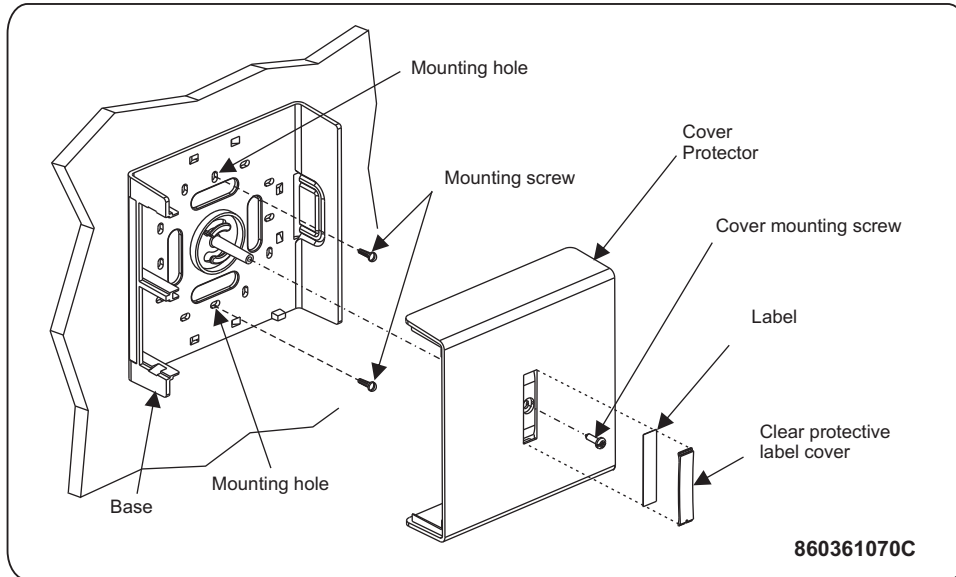
For a copy of the complete installation instructions for this product, please visit the website below.

<http://www.commscope.com/>



Issue 3, July 2009

3" (76 mm)



Notes:

1. Card outline, keylines and dimensions are for reference only and do not print.

**CommScope Solutions Properties, LLC - Proprietary
Use pursuant to Company Instructions**

860361070C	MATERIAL ID None	DATE 7/28/2009
DESCRIPTION M208SMB Type Inst. Card		ENGR G. Spisany
SHEET 1 OF 1	ISSUE 3	SCALE 1:1
DRAWN D. Trinkle		

