



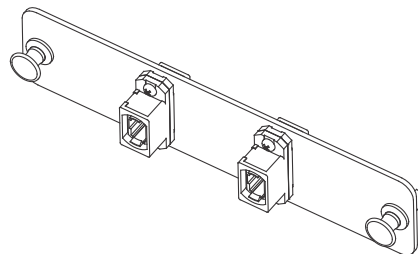
## RFE-PNL-Type Modular Panel Installation Instructions

### General

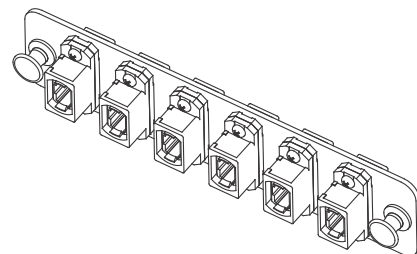
The RFE-PNL-2MPO, RFE-PNL-6MPO, and RFE-PNL-8MPO modular panels are fiber optic panels that feature MPO aligned-key adapters, and are designed for easy interchangeability with any of the preterminated modules. The modular panels are installed in a panel or shelf where array connectivity to equipment is required. The panels are available in a 2MPO, 6MPO, and 8MPO adapter capacity.

Ordering information is listed below:

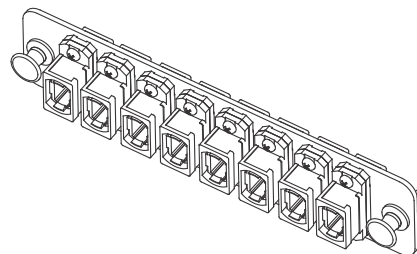
| Material ID | Description        |
|-------------|--------------------|
| 760015412   | RFE-PNL-2MPO Panel |
| 760034280   | RFE-PNL-6MPO Panel |
| 760056077   | RFE-PNL-8MPO Panel |



RFE-PNL-2MPO



RFE-PNL-6MPO



RFE-PNL-8MPO

### How to Contact Us

- To find out more about **CommScope®** products, visit us on the web at <http://www.commscope.com/>
- For technical assistance:
  - Within the United States, contact your local account representative or technical support at 1-800-344-0223. Outside the United States, contact your local account representative or Authorized Business Partner.
  - Within the United States, report any missing/damaged parts or any other issues to CommScope Customer Claims at 1-866-539-2795. Outside the United States, contact your local account representative or Authorized Business Partner.

## Parts List

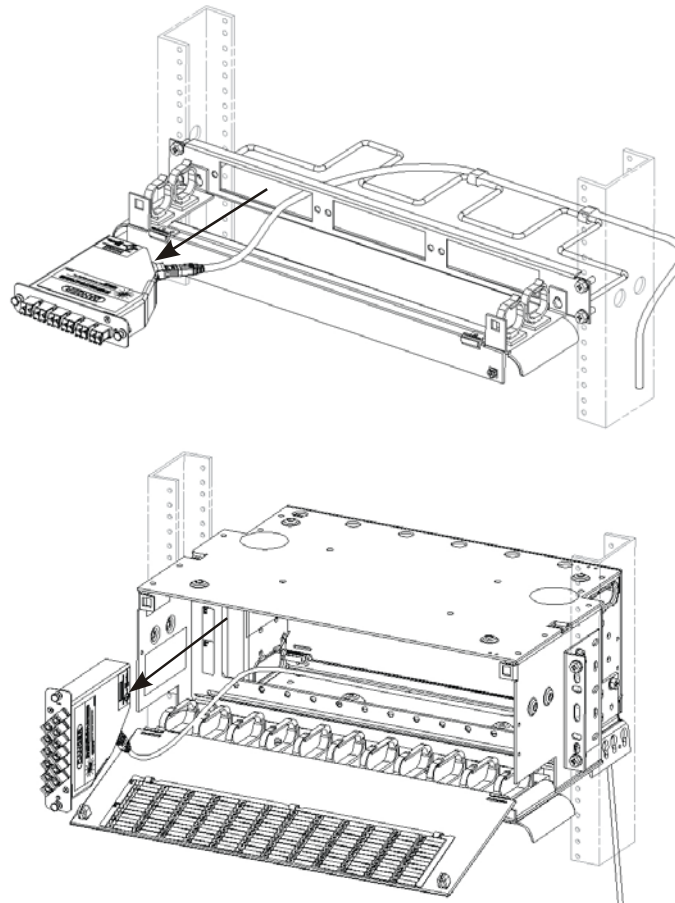
Verify parts against the parts list below:

| Quantity | Description                    |
|----------|--------------------------------|
| 1        | Panel                          |
| 1        | Installation instruction sheet |
| 1        | MPO cleaning instruction sheet |

## Separately Orderable Items

| Material ID | Cable Assembly Description  |
|-------------|---|
| Various     | <b>LazrSPEED™</b> 150 & 300 and <b>TeraSPEED™</b> IPR 12-fiber ribbon trunk cable, Plenum, MPO                |
| Various     | <b>LazrSPEED</b> 150 & 300 IPR 2 x 12-fiber ribbon trunk cable, Plenum, MPO                                   |
| Various     | <b>LazrSPEED</b> 150 & 300 and <b>TeraSPEED</b> IPD 24-, 48-, 72-, 96- and 144-fiber trunk cable, Plenum, MPO |
| Various     | <b>LazrSPEED</b> 150 & 300 and <b>TeraSPEED</b> IPR 12-fiber cross-connect cord, Plenum, MPO                  |
| Various     | <b>LazrSPEED</b> 300 <b>TeraSPEED</b> IPR 12-fiber equipment cord, Plenum, MPO                                |

## Step 1 – Remove Existing Module from Panel or Shelf

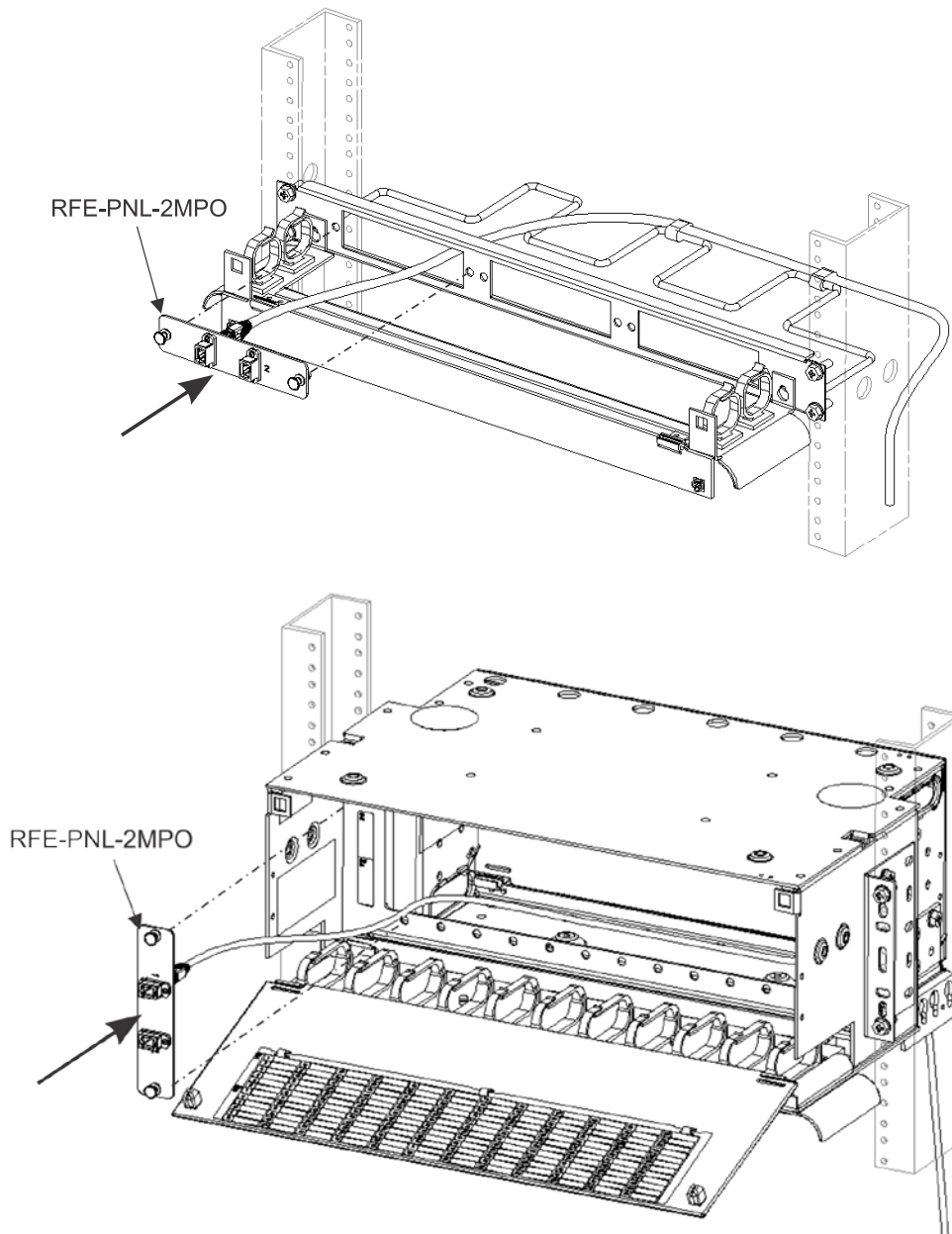


1. If necessary, loosen trunk cable(s) in rear of 1U panel, 1U shelf (not shown), or 4U shelf. Carefully pull existing module forward with trunk cable(s) attached.

2. Disconnect MPO connector(s) from module adapter(s), and remove module(s).
3. Replace MPO adapter dust cover on module adapter(s) to protect internal connector.

**Note:** All MPO to MPO connections **must** include a pinned male ferrule connector and an unpinned female ferrule connector. Any attempt to connect male-to-male or female-to-female will result in damage to the connectors.

## Step 2 – Install DM-2MPO, DM-6MPO, or DM-8MPO Panel(s)



1. Secure panel in 1U panel, 1U shelf, or 4U shelf.
2. If desired, loosely secure trunk cable(s) to rear of panel or shelf.