

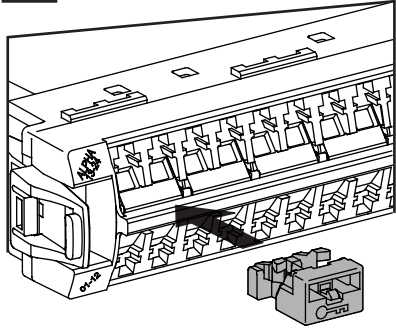
Duplex LC and RJ45 Port Blocker and Locking Patch Cord Instructions

The CommScope® Secure LC and RJ45 patching solution provides a color-coded locking system that prevents unauthorized access or disconnection of fiber and copper ports at the work outlet, patch panel, and switch. Visit us on the web at www.commscope.com

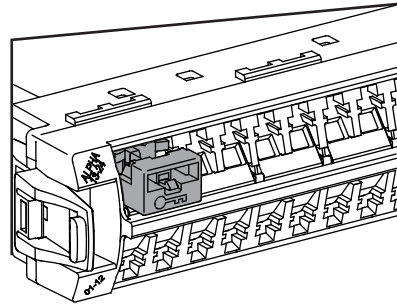
Duplex LC Fiber Port Blocker



Lock



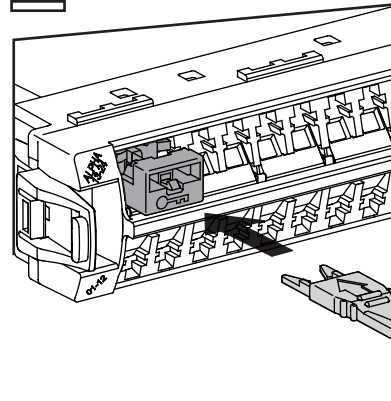
① Fully insert port blocker into adapter



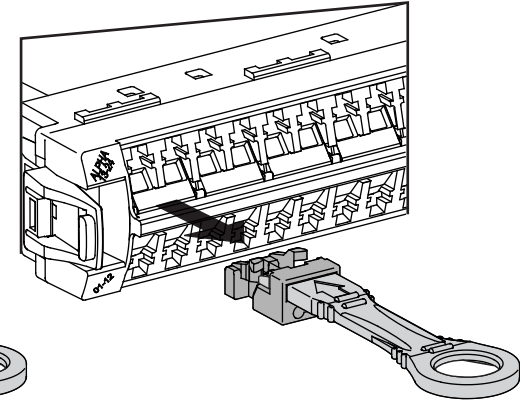
② Port is secure



Unlock



③ Insert key into port blocker to release

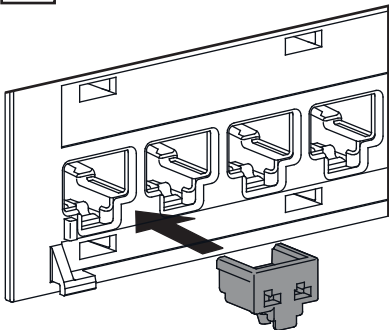


④ Remove port blocker and key from port

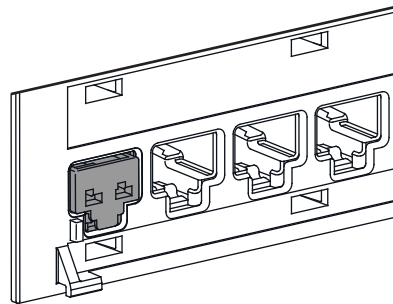
RJ45 Copper Port Blocker



Lock



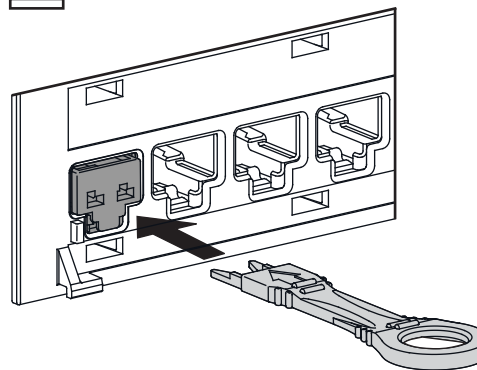
① Fully insert port blocker into adapter



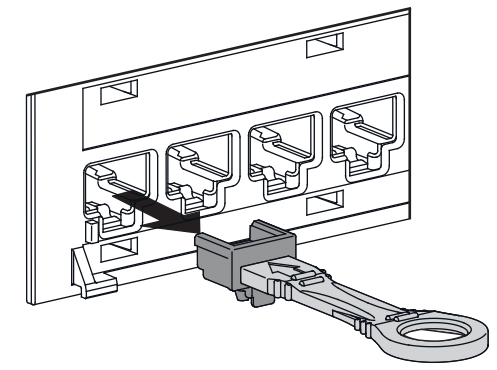
② Port is secure



Unlock



③ Insert key into port blocker to release



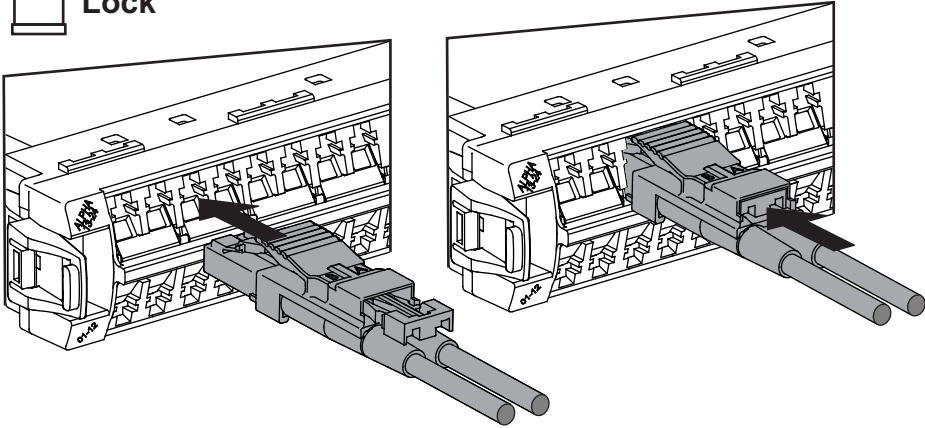
④ Remove port blocker and key from port



Duplex LC Fiber Locking Patch Cord



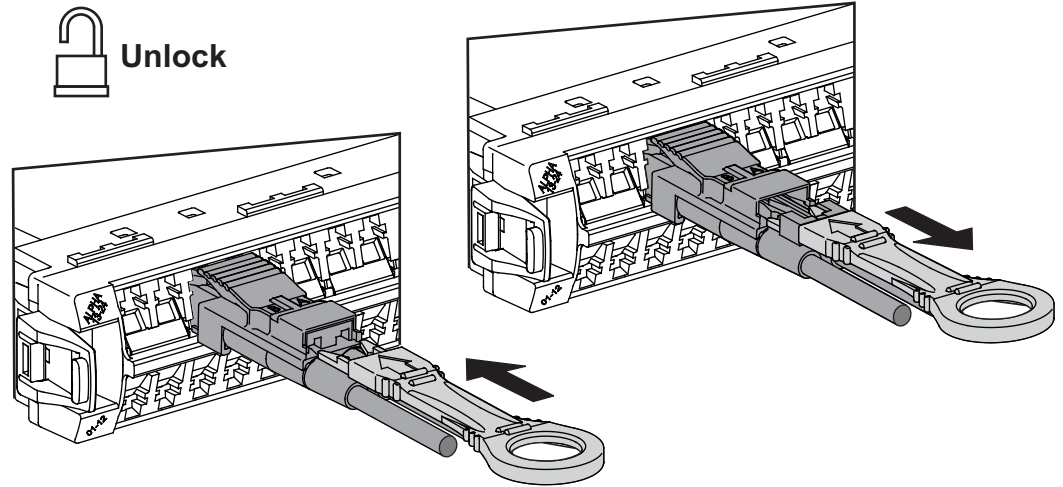
Lock



- ① Fully insert jumper into adapter with lock in the unlocked position
- ② Secure jumper by fully pressing in the lock to the locked position Port is secure



Unlock

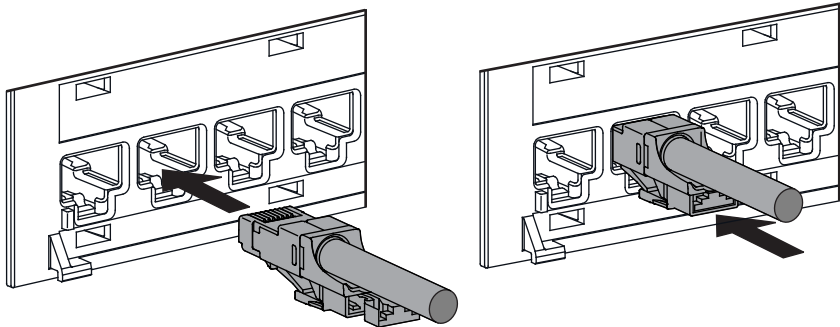


- ③ Insert key into jumper to release lock
- ④ Pull key and lock to the un-lock position and remove key

RJ45 Copper Locking Patch Cord



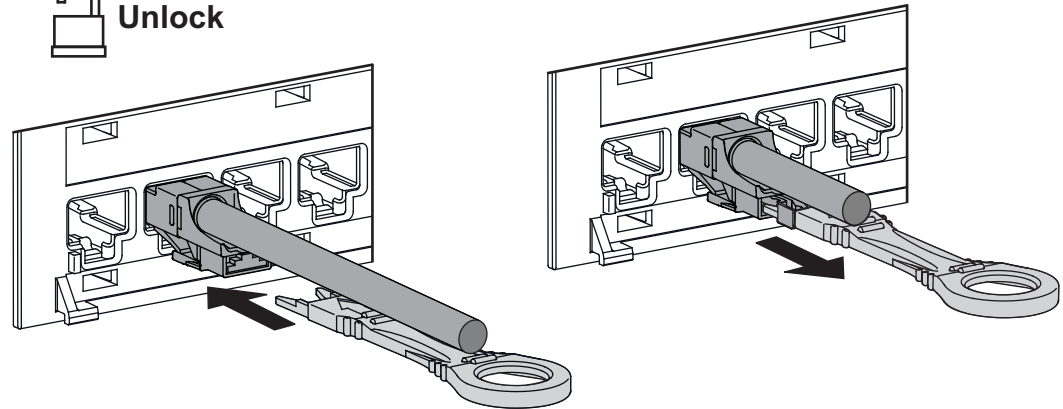
Lock



- ① Fully insert jumper into adapter with lock in the unlocked position
- ② Secure jumper by fully pressing in the lock to the locked position Port is secure



Unlock



- ③ Insert key into jumper to release lock
- ④ Pull key and lock to the un-lock position and remove key