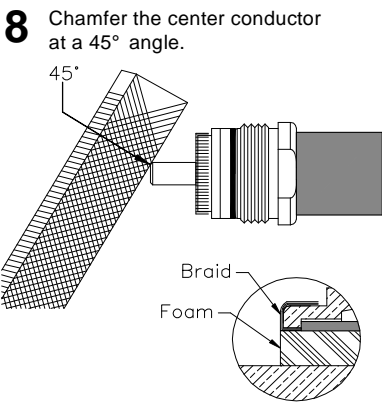
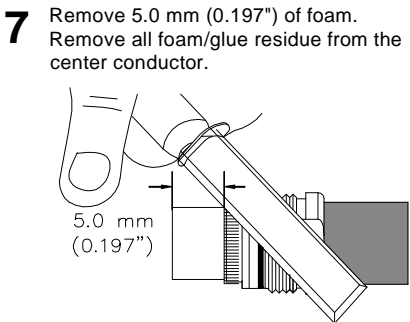
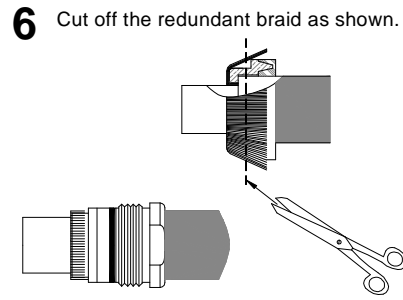
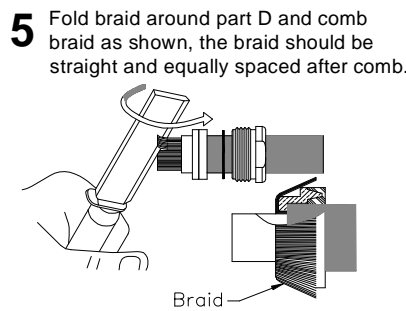
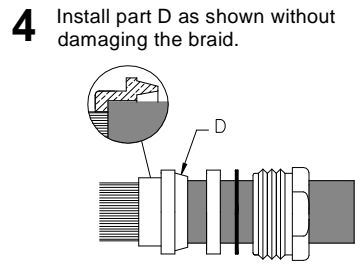
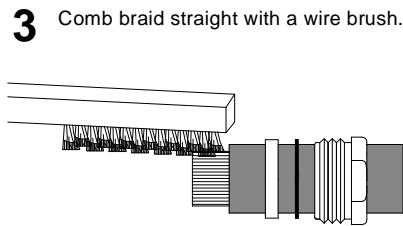
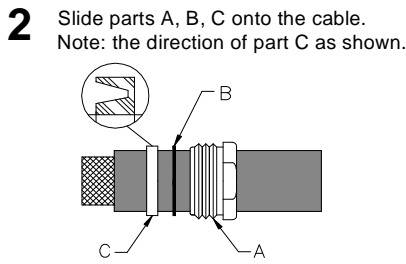
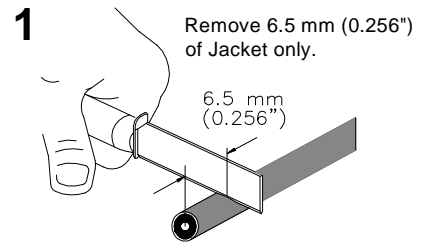
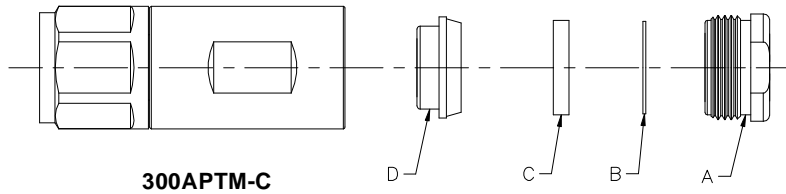
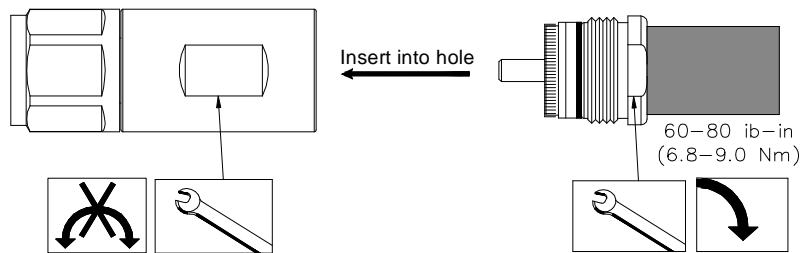


Installation Instructions Connector Attachment

For Braided Cable CNT-300
TNC Male, Captivated Pin,
Clamp-type Body: 300APTM-C



9 The cable attachment must be straight and aligned with the hole of connector inner contact. Insert cable attachment into connector body until stopped; the center conductor must be inserted into the connector inner contact fingers. Tighten the connection to the torque value of 60-80 lb-in (6.8-9.0 Nm). Note: Do not turn connector body, turn cable attachment. The V type part C are splitted into two pieces after part A installation.



部件名称 (Part Name)	表一 有毒有害物质或元素名称及含量标识格式					
	有毒有害物质或元素					
	铅 (Pb)	汞 (Hg)	镉 (Cd)	六价铬 (Cr6+)	多溴联苯 (PBB)	多溴二苯醚 (PBDE)
连接器 (Connector)	X	O	O	O	O	O

0: 表示有毒有害物质在该部件所有的均质材料中的含量均在SJ/T 11363-2006规定的限量要求以下。
X: 表示该有毒有害物质至少在该部件的某一均质材料中的含量超出SJ/T 11363-2006规定的限量要求。



Installation Training Available at Andrew Institute

Notice: Andrew disclaims any liability or responsibility for the results of improper or unsafe installation, in spection, maintenance, or removal practices

Andrew Corporation
3 Westbrook Corporate Center, Suite 900, Westchester, Illinois U.S.A. 60154
+1 (779) 435-8579 Fax (U.S.A.): 1-800-349-5444
www.andrew.com
Copyright © 2009 by Andrew Corporation

Customer Service, 24 hours
U.S.A., Canada, Mexico: 1-800-255-1479
U.K.: 0800 250055
Other Europe: +44 592 782 612
China: +86 512-6256-8805

