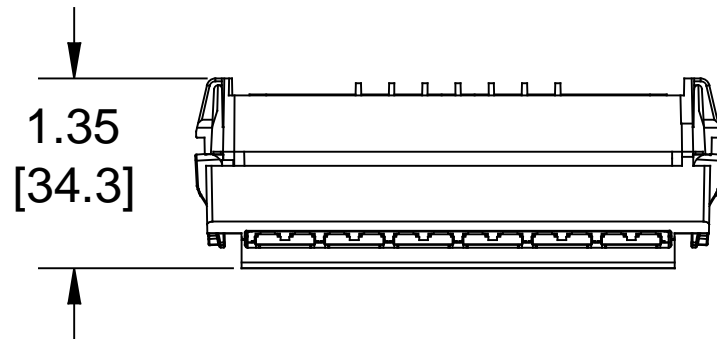
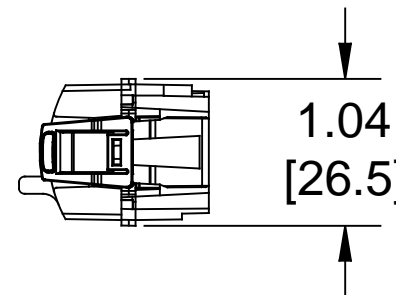
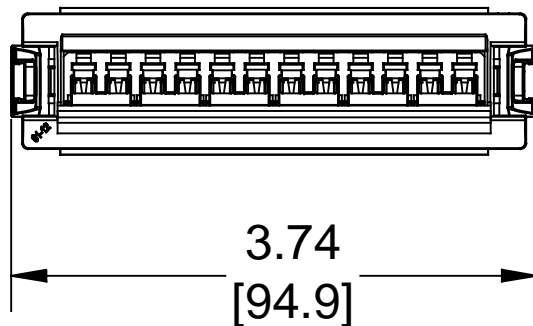


MATERIAL ID	DESCRIPTION
760230961	ASSEMBLY, BEZEL DMis



NOTES:

1. SEE SYSTIMAX CATALOG FOR PART NUMBER SUFFIXES TO INDICATE COLOR/PKG.
2. SEE SYSTIMAX CATALOG FOR COMPLETE LIST OF PARTS RELATED TO THE USE OF THIS PRODUCT.
3. DIMENSIONS ARE IN INCHES[MM].
4. PART INCLUDES:
(1) BEZEL ASSEMBLY, GREEN



360DPis-12LCA-SM	
COMMScope, INC OF NORTH CAROLINA	
SYSTIMAX® SOLUTIONS	
PT	DRAWN BY TZ
APPROVED BY	DATE 07-NOV-2016
REV	DWG NO 760230961

REV	DATE	ECR	DESCRIPTION
1	07-NOV-16		INITIAL ISSUE