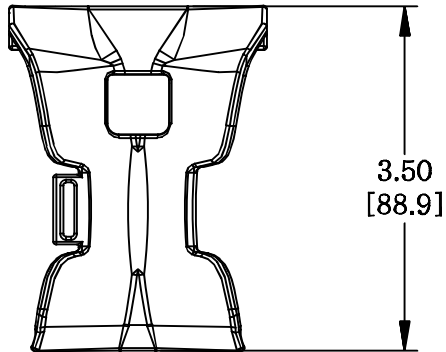
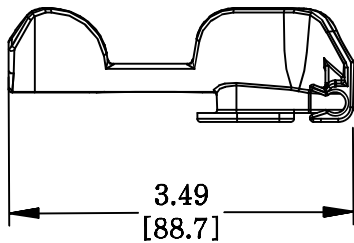
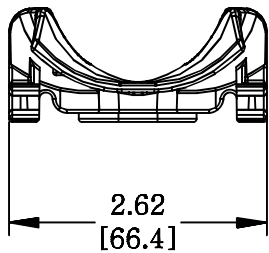


MATERIAL ID	DESCRIPTION
760229179	KIT,SADDLE AND STRAP



NOTES:

1. SEE SYSTIMAX CATALOG FOR PART NUMBER SUFFIXES TO INDICATE COLOR/PKG.
2. SEE SYSTIMAX CATALOG FOR COMPLETE LIST OF PARTS RELATED TO THE USE OF THIS PRODUCT.
3. DIMENSIONS ARE IN INCHES[MM].
4. PART INCLUDES:
 (4) TROUGH, 360 CABLE MANAGEMENT
 (1) STRAP, REAR CABLE MANAGEMENT (BAG OF 4)



KIT,SADDLE AND STRAP	
COMMScope, INC OF NORTH CAROLINA	
SYSTIMAX® SOLUTIONS	

1	4/12/16		INITIAL ISSUE	PL	DRAWN BY DJ	
REV	DATE	ECR	DESCRIPTION	APPROVED BY	DATE 4/12/2016	DWG NO 760229179