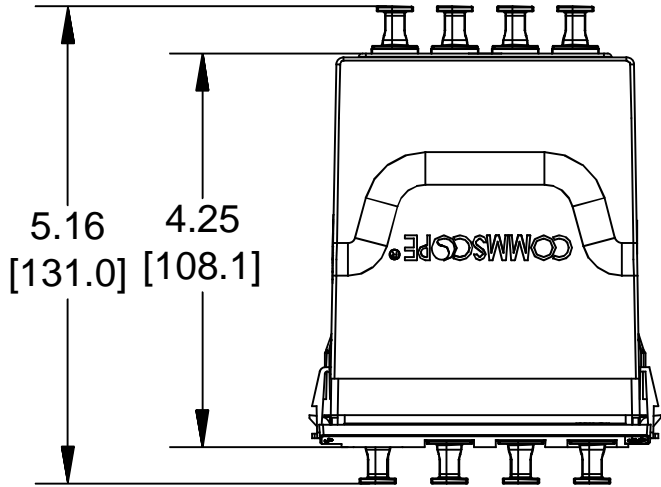
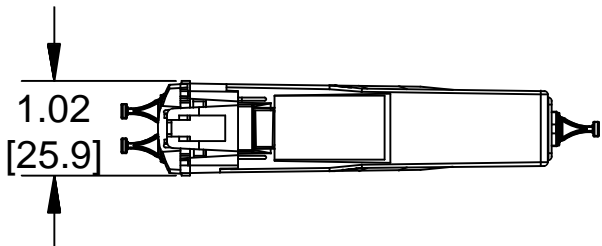
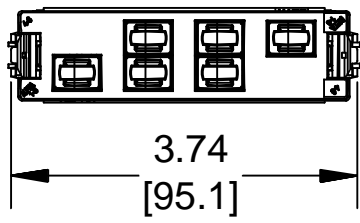


| MATERIAL ID | DESCRIPTION |
|-------------|-------------------------------------|
| 760220418 | ASSEMBLY, MODULE, 360CM SINGLE MODE |



NOTES:

1. SEE SYSTIMAX CATALOG FOR PART NUMBER SUFFIXES TO INDICATE COLOR/PKG.
2. SEE SYSTIMAX CATALOG FOR COMPLETE LIST OF PARTS RELATED TO THE USE OF THIS PRODUCT.
3. DIMENSIONS ARE IN INCHES[MM].
4. PART INCLUDES:
(1) MODULE ASSEMBLY



| | |
|---|---------------------|
| 360CM12-4X6-TS | |
| COMMScope, INC OF NORTH CAROLINA | |
| SYSTIMAX® SOLUTIONS | |
| DRAWN BY JW | |
| APPROVED BY | DATE 22-NOV-2016 |
| | DWG NO 760220418 |

| REV | DATE | ECR | DESCRIPTION | APPROVED BY |
|-----|-----------|-----|---------------|-------------|
| 1 | 22-NOV-16 | | INITIAL ISSUE | CTC |