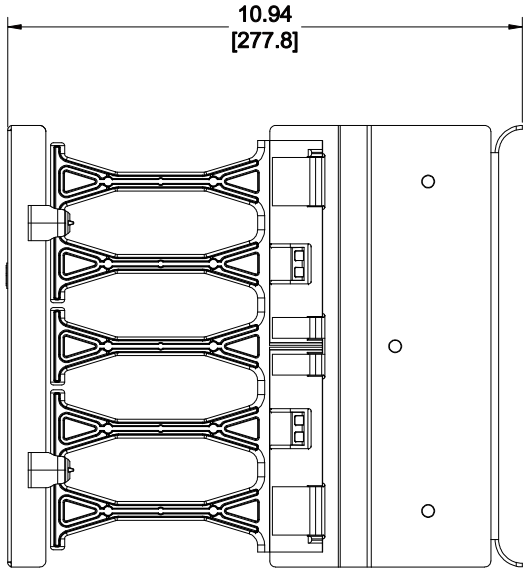
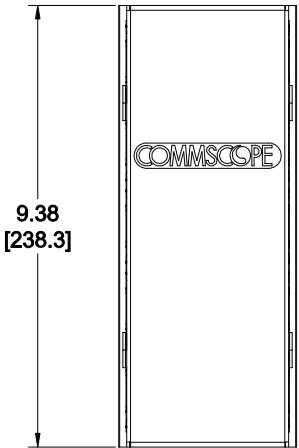
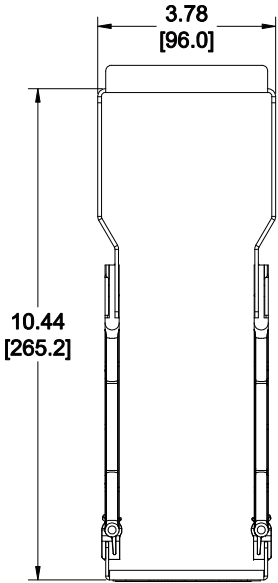


MATERIAL ID	DESCRIPTION
760164061	KIT, MINI VCM, 4U

NOTES:

- SEE COMMSCOPE CATALOG FOR PART NUMBER SUFFIXES TO INDICATE COLOR/PKG.
- SEE COMMSCOPE CATALOG FOR COMPLETE LIST OF PARTS RELATED TO THE USE OF THIS PRODUCT.
- DIMENSIONS IN PARENTHESES ARE IN METRIC.
- PART INCLUDES:
 - ASSEMBLY, COVER, OVERHEAD PATCH PANEL RACK, 4U
 - TROUGH, VCM, 4U OVERHEAD RACK
 - FINGER, CABLE MANAGEMENT, 5 FINGER SECTION
 - WASHER, FLAT, 1/4 SS .281 I.D. X .75 O.D.
 - SCREW, HHM, 1/4-20 X .500 LG SS
 - INSTRUCTIONS, OVERHEAD RACK



KIT, MINI VCM, 4U

COMMSCOPE, INC OF NORTH CAROLINA

1	2/13/12		INITIAL ISSUE	DSP	DRAWN BY JW	
REV	DATE	ECR	DESCRIPTION	APPROVED BY	DATE 2/13/2012	DWG NO 760164061