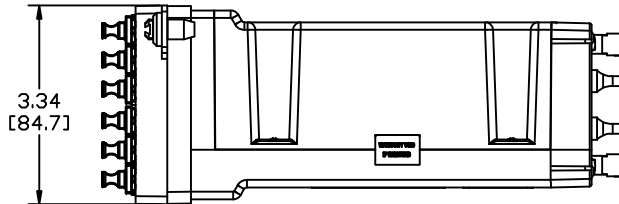
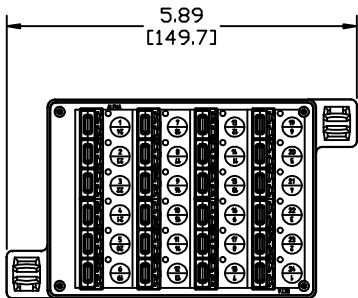
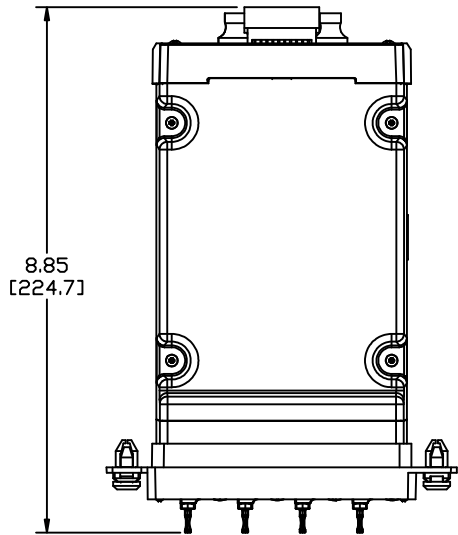


MATERIAL ID	DESCRIPTION
760093369	iPatch HD TS MODULE, 2U 24 PORT



NOTES:

1. SEE SYSTIMAX CATALOG FOR PART NUMBER SUFFIXES TO INDICATE COLOR/PKG.
2. SEE COMMScope CATALOG FOR COMPLETE LIST OF PARTS RELATED TO THE USE OF THIS PRODUCT.
3. DIMENSIONS IN PARENTHESES ARE IN METRIC.
4. PART INCLUDES:
(1) MODULE ASSEMBLY

iPatch HD TS 24 PORT MODULE	
COMMScope, INC OF NORTH CAROLINA	
SYSTIMAX SOLUTIONS	

REV	DATE	ECR	DESCRIPTION	APPROVED BY	DATE	DWG NO
1	04/13/10		INITIAL ISSUE			
					04/13/2010	760093369