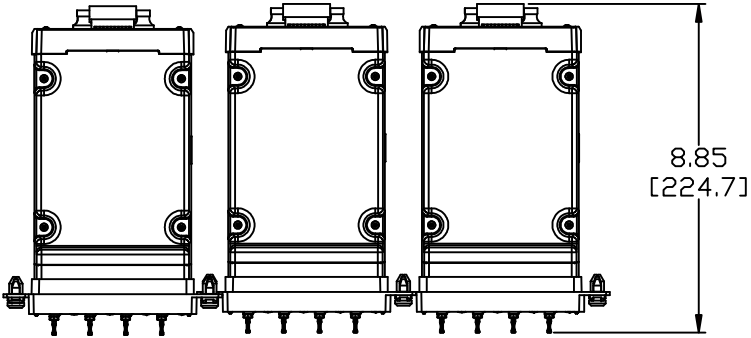
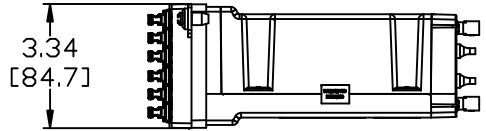
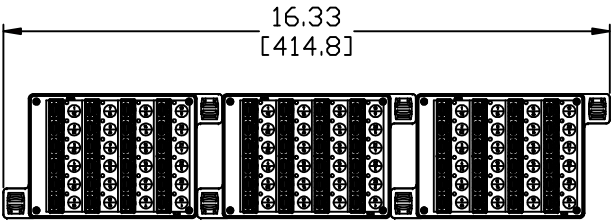


MATERIAL ID	DESCRIPTION
760093351	360 iPatch G2 HD LS MODULE (3 PACK)



- NOTES:
1. SEE SYSTIMAX CATALOG FOR PART NUMBER SUFFIXES TO INDICATE COLOR/PKG.
 2. SEE COMMScope CATALOG FOR COMPLETE LIST OF PARTS RELATED TO THE USE OF THIS PRODUCT.
 3. DIMENSIONS IN PARENTHESES ARE IN METRIC.
 4. PART INCLUDES:
(3) MODULE ASSEMBLIES



360-IP-HD-MOD-LC-LS-3	
COMMScope, INC OF NORTH CAROLINA	
SYSTIMAX SOLUTIONS	
DRAWN BY JW	DWG NO 760093351

REV	DATE	ECR	DESCRIPTION	APPROVED BY	DATE
1	04/12/10		INITIAL ISSUE		04/12/2010