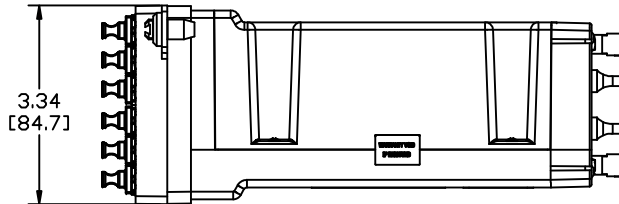
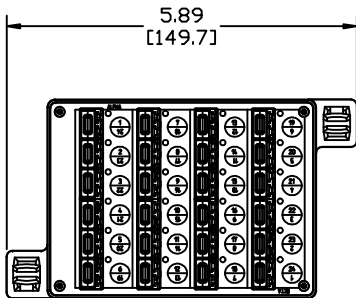
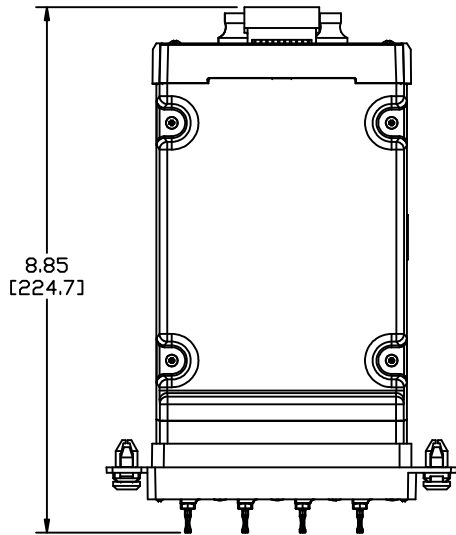


MATERIAL ID	DESCRIPTION
760093344	360 iPatch G2 HD LS MODULE



NOTES:

1. SEE SYSTIMAX CATALOG FOR PART NUMBER SUFFIXES TO INDICATE COLOR/PKG.
2. SEE COMMScope CATALOG FOR COMPLETE LIST OF PARTS RELATED TO THE USE OF THIS PRODUCT.
3. DIMENSIONS IN PARENTHESES ARE IN METRIC.
4. PART INCLUDES:
(1) MODULE ASSEMBLY

360-IP-HD-MOD-LC-LS	
COMMScope, INC OF NORTH CAROLINA	
SYSTIMAX SOLUTIONS	

1	04/08/10		INITIAL ISSUE		DRAWN BY JW	
REV	DATE	ECR	DESCRIPTION	APPROVED BY	DATE 04/08/2010	DWG NO 760093344