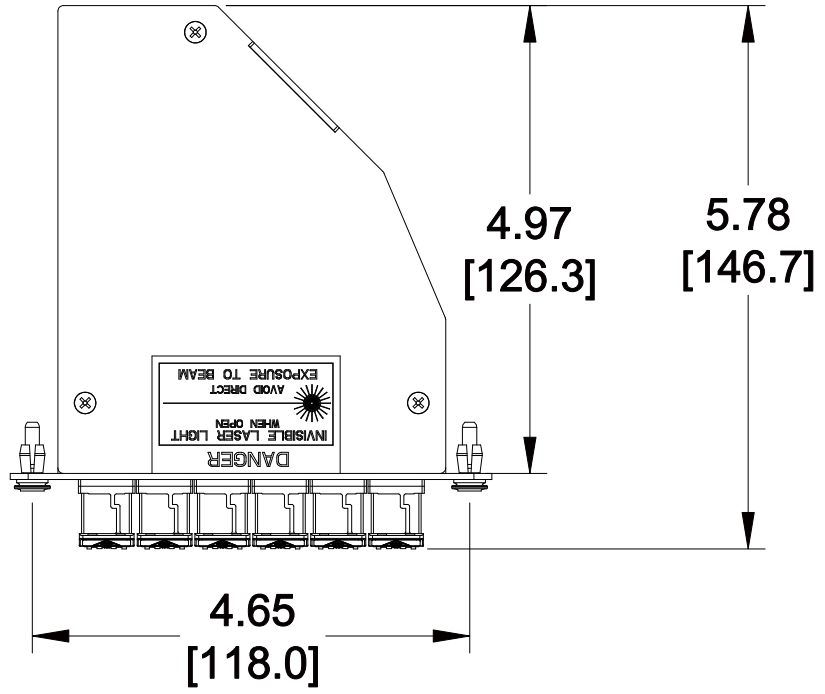
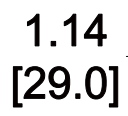
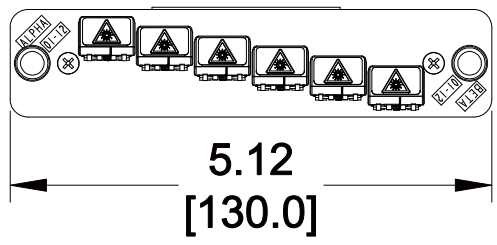


MATERIAL ID	DESCRIPTION
760088039	ReadyPATCH® LazrSPEED® KEYED MODULE, 12 LC PORTS, YELLOW



NOTES:

1. SEE COMMSCOPE CATALOG FOR PART NUMBER SUFFIXES TO INDICATE COLOR/PKG.
2. SEE COMMSCOPE CATALOG FOR COMPLETE LIST OF PARTS RELATED TO THE USE OF THIS PRODUCT.
3. DIMENSIONS IN PARENTHESES ARE IN METRIC.
4. PART INCLUDES:  
(1) ASSEMBLY, MODULE



RFE-MOD-012-5K-MPO-LC02-KYL

**COMMSCOPE, INC** OF NORTH CAROLINA

1	8/7/12		INITIAL ISSUE		DRAWN BY JW		
REV	DATE	ECR	DESCRIPTION	APPROVED BY	DATE 8/7/2012		DWG NO 760088039