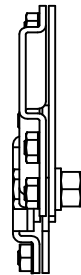
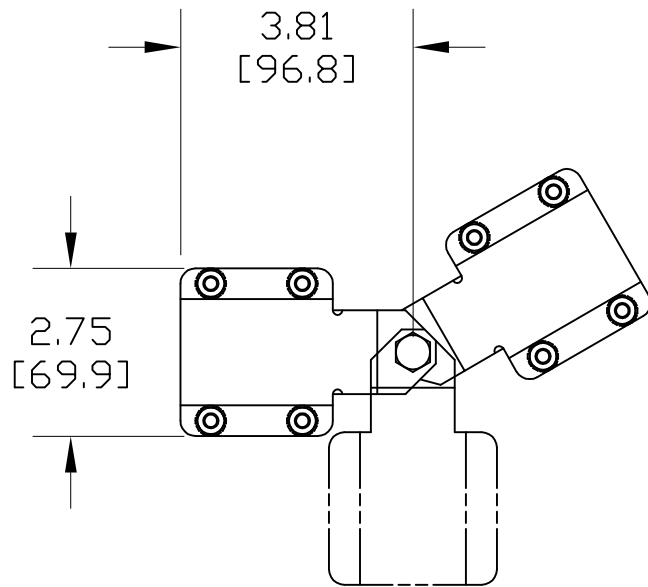


MATERIAL ID	DESCRIPTION	WEIGHT (lbs.)
760084129	VARIABLE ANGLE LADDER SPLICE	5.0

NOTES:

1. SEE COMMSCOPE CATALOG FOR PART NUMBER SUFFIXES TO INDICATE COLOR/PKG.
2. SEE COMMSCOPE CATALOG FOR COMPLETE LIST OF PARTS RELATED TO THE USE OF THIS PRODUCT.
3. DIMENSIONS IN PARENTHESES ARE IN METRIC.
4. PART INCLUDES:
(1) SPLICE KIT



CRVALS	
COMMSCOPE, INC HICKORY, NORTH CAROLINA	
DRAWN BY SEW	
DATE 1/25/08	
DWG NO. 760084129	

REV	DATE	ECR	DESCRIPTION	BY
1	1/25/08		INITIAL ISSUE	TWL