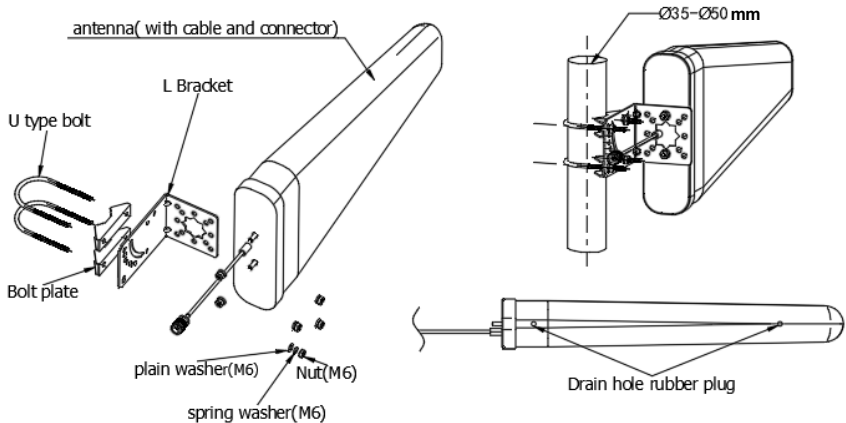


INSTALLATION INSTRUCTION FOR CMAX-YG-CPUSEW-I53



Installation Steps

- 1) The L clamp is installed on the antenna body with the nut (M6).
- 2) The U type bolt and bolt plate are fixed on the pole.
- 3) Install the antenna body with the L clamp on the U type bolt on the pole, then fix it with nuts.
- 4) When the antenna is installed outdoors, please pull out the rubber plug at the bottom of the antenna.

Note:

Cable min. bending radius: 40mm

© Copyright 2020 CommScope, Inc.

All rights reserved.

All information contained in this manual has been revised thoroughly. Yet CommScope accepts no liability for any omissions or faults.

CommScope reserves the right to change all hardware and software characteristics without notice.

Names of products mentioned herein are used for identification purposes only and may be trademarks and / or registered trademarks of their respective companies.

No parts of this publication may be reproduced, stored in a retrieval system, transmitted in any form or by any means, electronic, mechanical photocopying, recording or otherwise, without prior written permission of the publisher.

CommScope, 18-May-2020