

TFAM91/18/21-34



ION®-B Series Medium Power Remote Unit for GSM 900, GSM 1800, and UMTS

OBSOLETE

Product Classification

Product Type Remote unit

Product Brand ION®-B

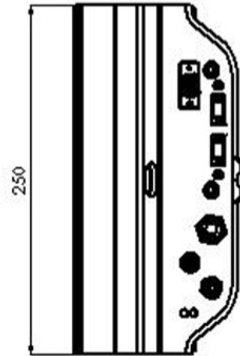
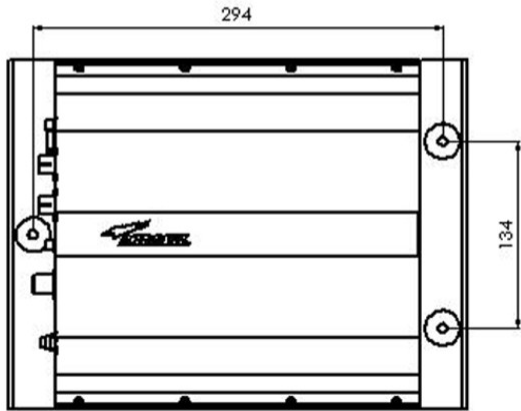
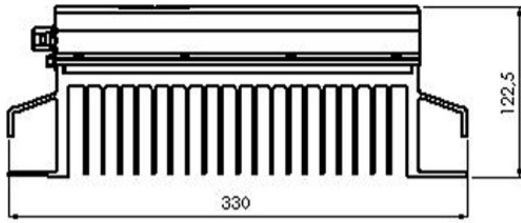
General Specifications

Note Detailed Product Specifications are available. Please contact your local CommScope representative.

Power Type Medium

Dimension Drawing

TFAM91/18/21-34



Electrical Specifications

Impedance

50 ohm

License Band

EGSM 900 | GSM 1800 | UMTS

Voltage Range

-60 to -36 Vdc

Electrical Specifications, Rx (Uplink)

Operating Frequency Band

1710 – 1785 MHz (GSM 1800) | 1920 – 1980 MHz (UMTS) | 880 – 915 MHz (EGSM 900)

Electrical Specifications, Tx (Downlink)

Operating Frequency Band

1805 – 1880 MHz (DCS 1800) | 2110 – 2170 MHz (UMTS) | 925 – 960 MHz (CEL 900)

Regulatory Compliance/Certifications

Agency

ISO 9001:2015

Classification

Designed, manufactured and/or distributed under this quality management system



Included Products

- TPSN3/28-80 – Power Supply Adapter ION®-B Series Remote Units, 80 W