

# TFAH-US85/19-14

---



ION®-B Series High Power Remote Unit for Cellular 850 and PCS 1900

**OBSOLETE**

## Product Classification

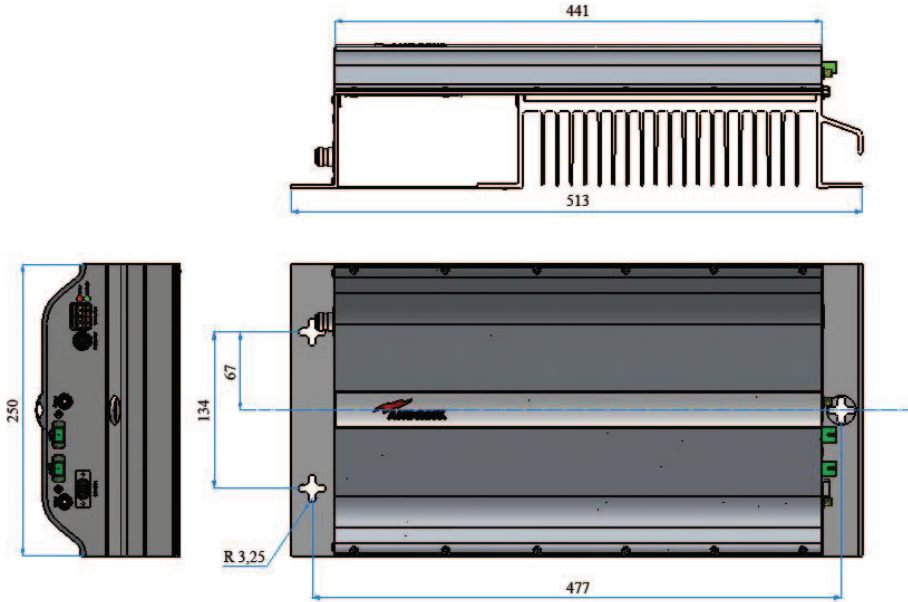
<b>Product Type</b>	Remote unit
<b>Product Brand</b>	ION®-B

## General Specifications

<b>Note</b>	Detailed Product Specifications are available. Please contact your local CommScope representative.
<b>Power Class</b>	High

## Dimension Drawing

# TFAH-US85/19-14



## Electrical Specifications

<b>Impedance</b>	50 ohm
<b>License Band</b>	CEL 850   PCS 1900
<b>Voltage Range</b>	85 to 265 Vac

## Electrical Specifications, Rx (Uplink)

<b>Operating Frequency Band</b>	1850 – 1910 MHz (PCS 1900)   824 – 849 MHz (CEL 850)
---------------------------------	--

## Electrical Specifications, Tx (Downlink)

<b>Operating Frequency Band</b>	1930 – 1990 MHz (PCS 1900)   869 – 894 MHz (CEL 850)
---------------------------------	--

## Regulatory Compliance/Certifications

Agency	Classification
--------	----------------

# TFAH-US85/19-14

---

ISO 9001:2015

Designed, manufactured and/or distributed under this quality management system



## Included Products

- TPSN1/28-80 – Power Supply Adapter ION®-B Series Remote Units, 80 W