

TFAH-US85/19-14



ION®-B Series High Power Remote Unit for Cellular 850 and PCS 1900

OBSOLETE

Product Classification

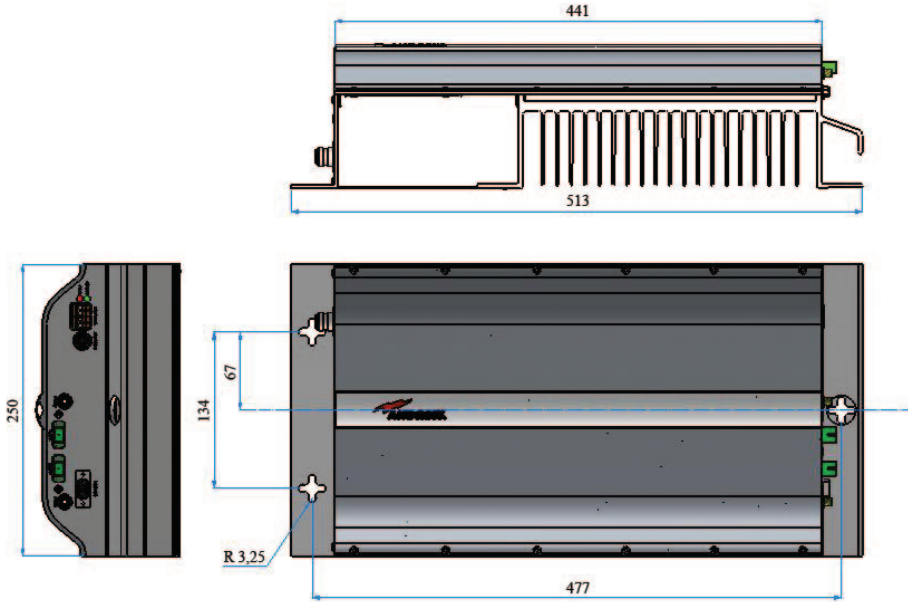
Product Type	Remote unit
Product Brand	ION®-B

General Specifications

Note	Detailed Product Specifications are available. Please contact your local CommScope representative.
Power Class	High

Dimension Drawing

TFAH-US85/19-14



Electrical Specifications

Impedance	50 ohm
License Band	CEL 850 PCS 1900
Voltage Range	85 to 265 Vac

Electrical Specifications, Rx (Uplink)

Operating Frequency Band	1850 – 1910 MHz (PCS 1900) 824 – 849 MHz (CEL 850)
---------------------------------	--

Electrical Specifications, Tx (Downlink)

Operating Frequency Band	1930 – 1990 MHz (PCS 1900) 869 – 894 MHz (CEL 850)
---------------------------------	--

Regulatory Compliance/Certifications

Agency	Classification
--------	----------------

TFAH-US85/19-14

ISO 9001:2015

Designed, manufactured and/or distributed under this quality management system



Included Products

- TPSN1/28-80 – Power Supply Adapter ION®-B Series Remote Units, 80 W

TPSN1/28-80



Power Supply Adapter ION®-B Series Remote Units, 80 W

Product Classification

Product Type	Power adapters
Product Brand	ION®-B

General Specifications

Note	Detailed Product Specifications are available. Please contact your local CommScope representative.
-------------	--

Dimension Drawing

Electrical Specifications

Output Power, maximum	80 W
------------------------------	------

Regulatory Compliance/Certifications

Agency	Classification
ISO 9001:2015	Designed, manufactured and/or distributed under this quality management system

