

Connectors

for HELIAX[®] EFX2-50 and LDF2-50 Coaxial Cable
SMA E2TSM and L2TSM connectors



Description

These connectors are designed for self-flaring of the outer conductor and soldering of the inner conductor to the inner conductor of the coaxial cable.

Tools and Materials Required for Assembly

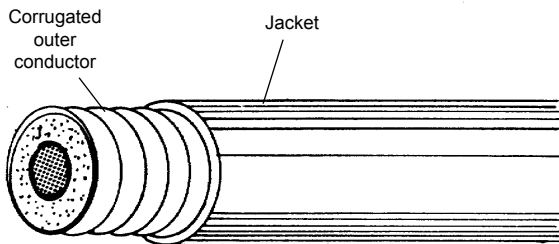
Scale	Damp cloth
Knife	Garnet cloth
Pliers	Soldering iron
Flat file	Silicon grease
Rosin flux	Hacksaw, fine-toothed blade
Soft solder	Two wrenches: 19/32" and one adjustable
Wire brush	

Notice

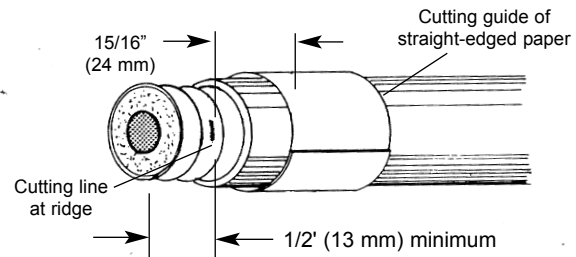
The installation, maintenance or removal of antenna systems requires qualified, experienced personnel. Andrew installation instructions have been written for such personnel. Antenna systems should be inspected once a year by qualified personnel to verify proper installation, maintenance and condition of equipment.

Andrew disclaims any liability or responsibility for the results of improper or unsafe installation practices.

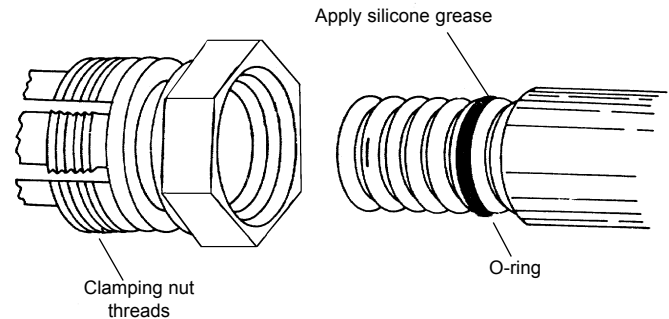
1 Prepare Cable. Straighten the end of the cable for at least 10 inches (254 mm) and remove some of the jacket with a knife to expose the outer conductor. Also deburr the sharp end of the outer conductor.



2 Mark Conductor and Remove Jacket. Scribe a cutting line with a knife on the ridge of exposed, corrugated outer conductor. Remove the jacket to the dimension shown, using a straight-edged piece of heavy paper wrapped around the cable to guide the cut.



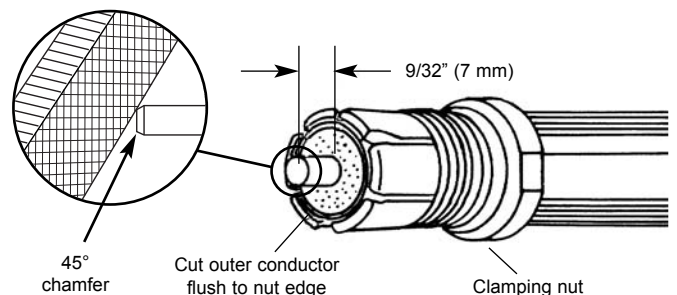
3 Clean Conductor and Add O-ring. Add the small O-ring gasket to the second, fully-exposed conductor groove from the jacket. Apply a thin coating of silicone grease (supplied) to the outer surface of the O-ring.
Note: clamping nut threads must be kept free of grease.



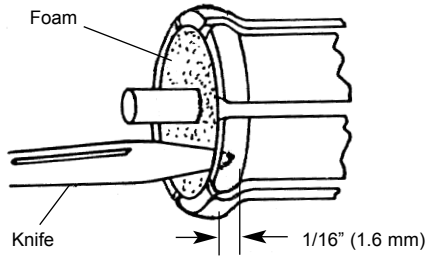
4 Add Clamping Nut and Cut Cable. Push the clamping nut fully onto the cable with a twisting motion so that the spring contacts snap into the conductor groove and the O-ring seats properly against the inside surface of the clamping nut. Check that the conductor cut line is aligned with the edge of the clamping nut.

Tightly grip the clamping nut and carefully cut through the outer conductor with a fine-toothed saw. The cut must be shallow so that the inner conductor is not damaged. Then pull off the outer conductor with pliers. Carefully clean all foam from the inner conductor with a knife.

Cut the inner conductor to the length shown and while deburring with a file chamfer the inner conductor

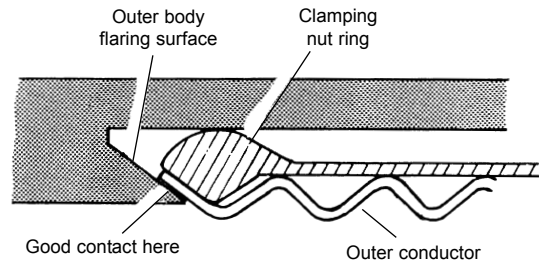


5 Separate Foam from Outer Conductor. Insert the tip of a knife to a depth of 1/16 inch (1.6 mm) between the foam and the outer conductor of the cable and separate them so that the outer conductor can be flared. Move the knife around the entire circumference of the outer conductor. Scrape away any foam clinging to the outer conductor and remove any burrs from the inside edge. Remove copper particles from the foam with a wire brush.



6 Flare Outer Conductor. Thread the connector outer body onto the clamping nut and tighten the connection with wrenches. Hold the clamping nut and turn only the outer body to 48 ± 4 lb_f-in (5.4 ± 0.5 N·m). The flaring surface of the outer body will flatten the outer conductor against the clamping nut ring. Disassemble the connection and inspect the flare to ensure good metal-to-metal contact on final assembly.

Internal Flaring Details of Connector Assembly

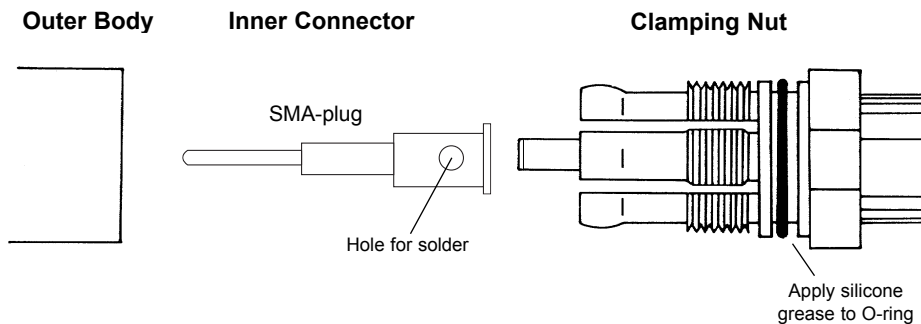



7 Install Inner Connector and Outer Body. Clean the inner connector with solvent and slide the inner connector onto the conductor.

Solder the connector in place using the solder hole provided. Cool the connection with a damp cloth and clean surface with garnet cloth. Make sure the connector is aligned with the axis of the cable and flush with the outer conductor.

The inner connector is different for each type of connector assembly as shown in the following illustration. Differences in outer body details have been deleted to simplify the illustration.

Add the large O-ring to the connector clamping nut. Apply a thin coating of silicone grease to the outer surface of the O-ring. Keep all connector threads free of grease. Thread the outer body onto the clamping nut and tighten the connection with wrenches. Hold the clamping nut and turn only the outer body 48 ± 4 lb_f-in (5.4 ± 0.5 N·m).



	表一 有毒有害物质或元素名称及含量标识格式					
	有毒有害物质或元素					
部件名称 (Part Name)	铅 (Pb)	汞 (Hg)	镉 (Cd)	六价铬 (Cr6+)	多溴联苯 (PBB)	多溴二苯醚 (PBDE)
连接器 (Connector)	X	O	O	O	O	O
O: 表示有毒有害物质在该部件所有的均质材料中的含量均在SJ/T 11363-2006规定的限量要求以下。 X: 表示该有毒有害物质至少在该部件的某一均质材料中的含量超出SJ/T 11363-2006规定的限量要求。						



Andrew Corporation

3 Westbrook Corporate Center, Suite 900, Westchester, Illinois U.S.A. 60154
 +1 (779) 435-8579 Fax (U.S.A.): 1-800-349-5444
 www.andrew.com

Copyright © 2007 by Andrew Corporation

Customer Service, 24 hours

U.S.A., Canada, Mexico: 1-800-255-1479
 U.K.: 0800 250055
 Other Europe: +44 592 782 612
 China: +86 512-6256-8805