

## SYSTIMAX<sup>®</sup> Unit Splitter Installation on Fiber Optic Cable

### General

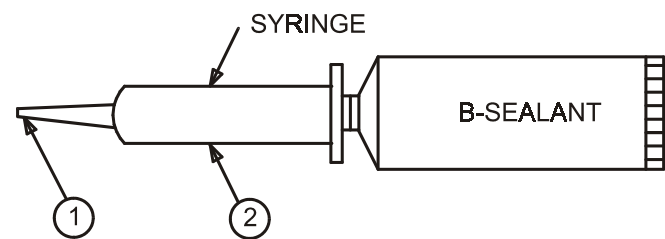
Unit splitters and B-sealant are used for water-blocking fiber optic cable ends. The B-sealant comes in a 3-ounce (85g) tube, enough to effectively water block approximately 5-10 cable ends.

### How to Contact Us

- To find out more about **SYSTIMAX**<sup>®</sup> Solutions, visit us on the web at <http://www.systemax.com/>
- For technical assistance regarding **SYSTIMAX** products:
  - Within the United States, contact your local account representative or **SYSTIMAX** technical support at 1-800-344-0223. Outside the United States, contact your local account representative or Authorized BusinessPartner.
  - Within the United States, report any missing or damaged parts to **SYSTIMAX** Customer Service in Omaha, NE, at 1-866-539-2795. Outside the United States, contact your local account representative or Authorized BusinessPartner.

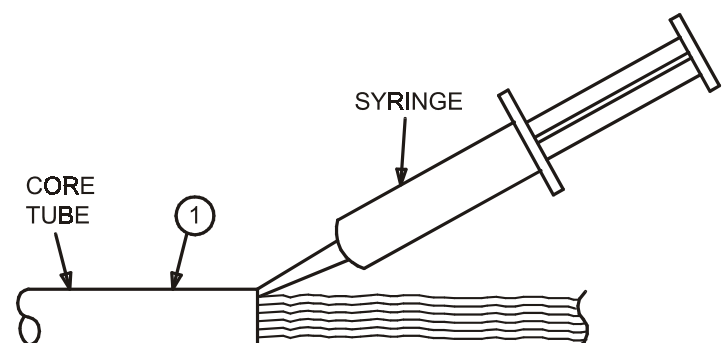
### Step 1–Fill Syringe

1. Using scissors, cut the tip off the syringe. Then remove the plunger.
2. Fill the syringe with B-sealant and replace the plunger into the syringe.



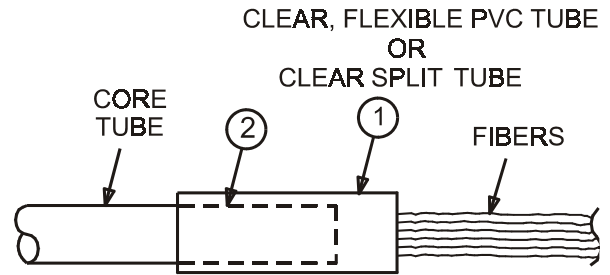
### Step 2–Inject Sealant

1. Inject one-half of the B-sealant in a fully loaded syringe into the end of the core tube. The sealant should surround the fibers inside the core tube.



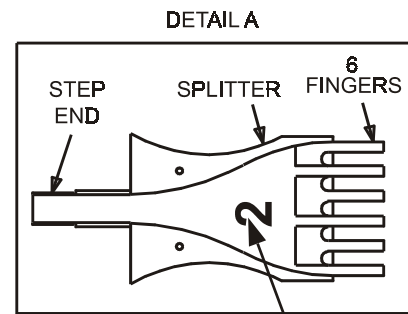
### Step 3—Install Clear Tube

1. Use the flexible, clear PVC Tube when all fiber ends are accessible and can be inserted into a tube. Use the split tube if the ends of some fibers can not be accessed as a result of mid or taut sheath cable preparation.
2. Coat the end of the core tube with B-sealant. Then, place the fibers through the split in the clear split tube, or in the end of the clear PVC tube and slide over the fibers and about 3/4 inch (19 mm) onto the core tube.



### Step 4—Install Blocking Splitter

1. Place the fiber bundles into the stepped end of the splitter (Detail A) and carefully slide the stepped end into the clear tube and the core tube. If using the split clear tube, turn the tube so the slit in the tube is opposite the opening in the stepped end of the splitter.
2. Fill slot in the stepped end of the splitter with B-sealant. *Do not fill past the end of the clear tube.*
3. Separate the fibers as required and insert the separated fibers through protective tubes.



"TWO" INDICATES FOR USE WITH SMALL LXE CABLE ONLY

**Important:** If two fibers of the same color are placed in the same protective tube, cut one fiber shorter than the other to maintain identification.

4. Place each of the separated fibers into a finger slot in the splitter and slide the protective tubes over the fingers.
5. Insert the cover pins into the holes in the splitter and snap the cover into place.

