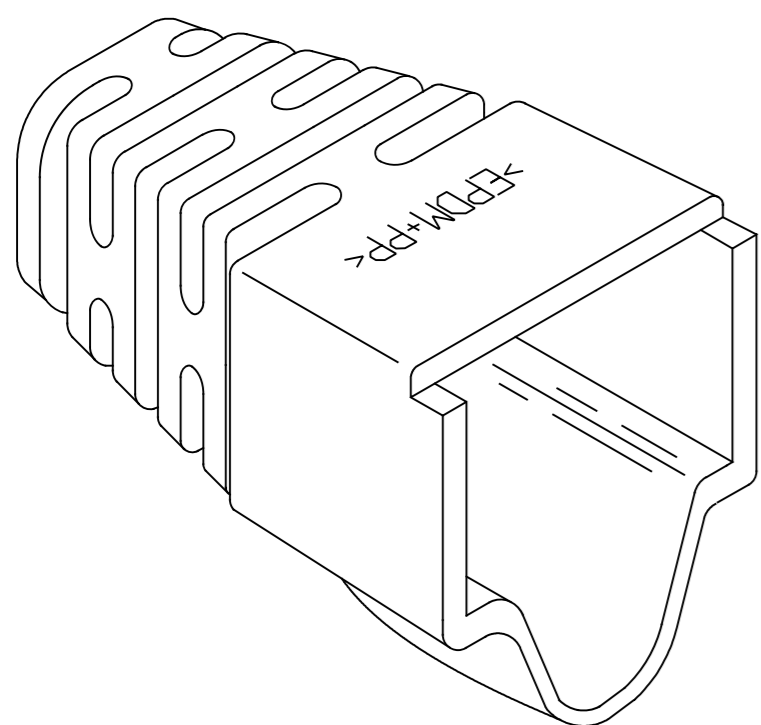
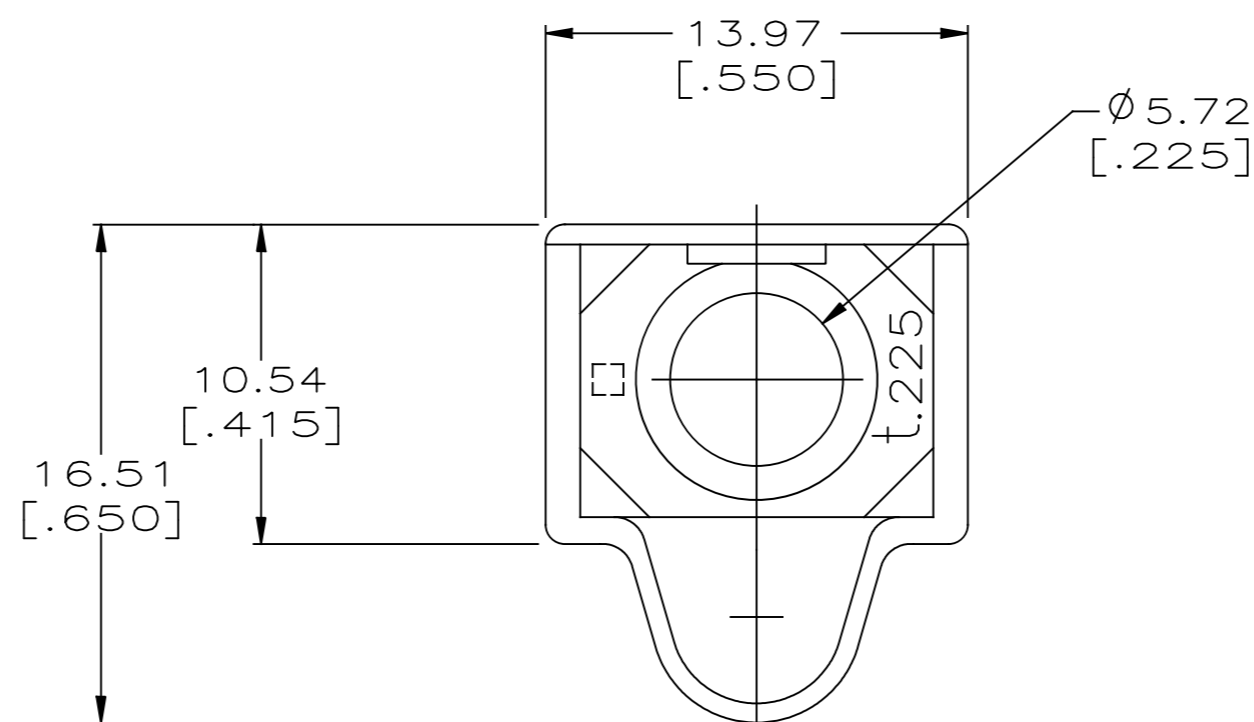
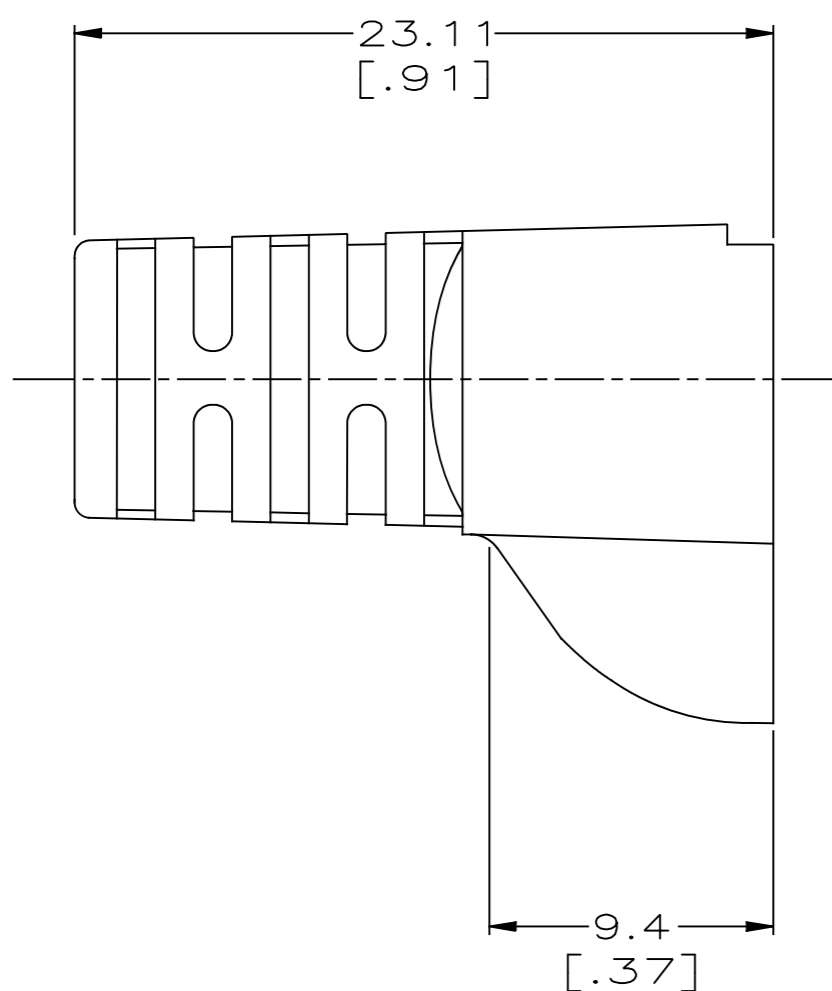


THIS DRAWING IS UNPUBLISHED. RELEASED FOR PUBLICATION  
 © 2016 Commscope, INC. Confidential  
 NOTICE: These drawings and specifications are the proprietary property of COMMSCOPE, INC. and may be used only for the specific purpose authorized in writing by COMMSCOPE, INC.

REVISIONS					
P	LTR	DESCRIPTION	DATE	DWN	APVD
C		ECO-13-012375	01AUG2013	JM	JG
D		REV PER BNS_CD_BRAND	20JAN2017	GG	DC



- 1 MATERIAL: ELASTOMER POLYOLEFIN, SEE TABLE FOR COLOR.
- 2 DIMENSIONS ARE NOMINAL UNLESS OTHERWISE SPECIFIED.
- 3. BOOT DESIGNED TO FIT CABLE DIAMETER OF .225 NOMINAL, SHIELDED MODULAR PLUGS AND EXTERNAL STRAIN RELIEF 558527-3.



NEMA GY	1-569876-0
VIOLET	569876-9
WHITE	569876-8
ORANGE	569876-7
YELLOW	569876-6
BLUE	569876-5
GREEN	569876-4
RED	569876-3
LT ALMOND	569876-2
BLACK	569876-1
COLOR	PART NUMBER

THIS DRAWING IS A CONTROLLED DOCUMENT.

DWN DL DRUMMOND 22 FEB 96	<b>COMMSCOPE, INC.</b> NAME BOOT, HOODED, $\emptyset$ .225				
CHK D. AHERON 07 MAR 96					
APVD B. ANTHONY 07 MAR 96					
PRODUCT SPEC APPLICATION SPEC					
DIMENSIONS: mm[INCHES]	TOLERANCES UNLESS OTHERWISE SPECIFIED: 0 PLC ± - 1 PLC ± - 2 PLC ± - 3 PLC ± - 4 PLC ± - ANGLES ± - FINISH -	SIZE A2	CAGE CODE -	DRAWING NO C=569876	RESTRICTED TO -
MATERIAL $\triangle$	WEIGHT -	SCALE 4:1	SHEET 1 of 1	REV D	CUSTOMER DRAWING

-569876