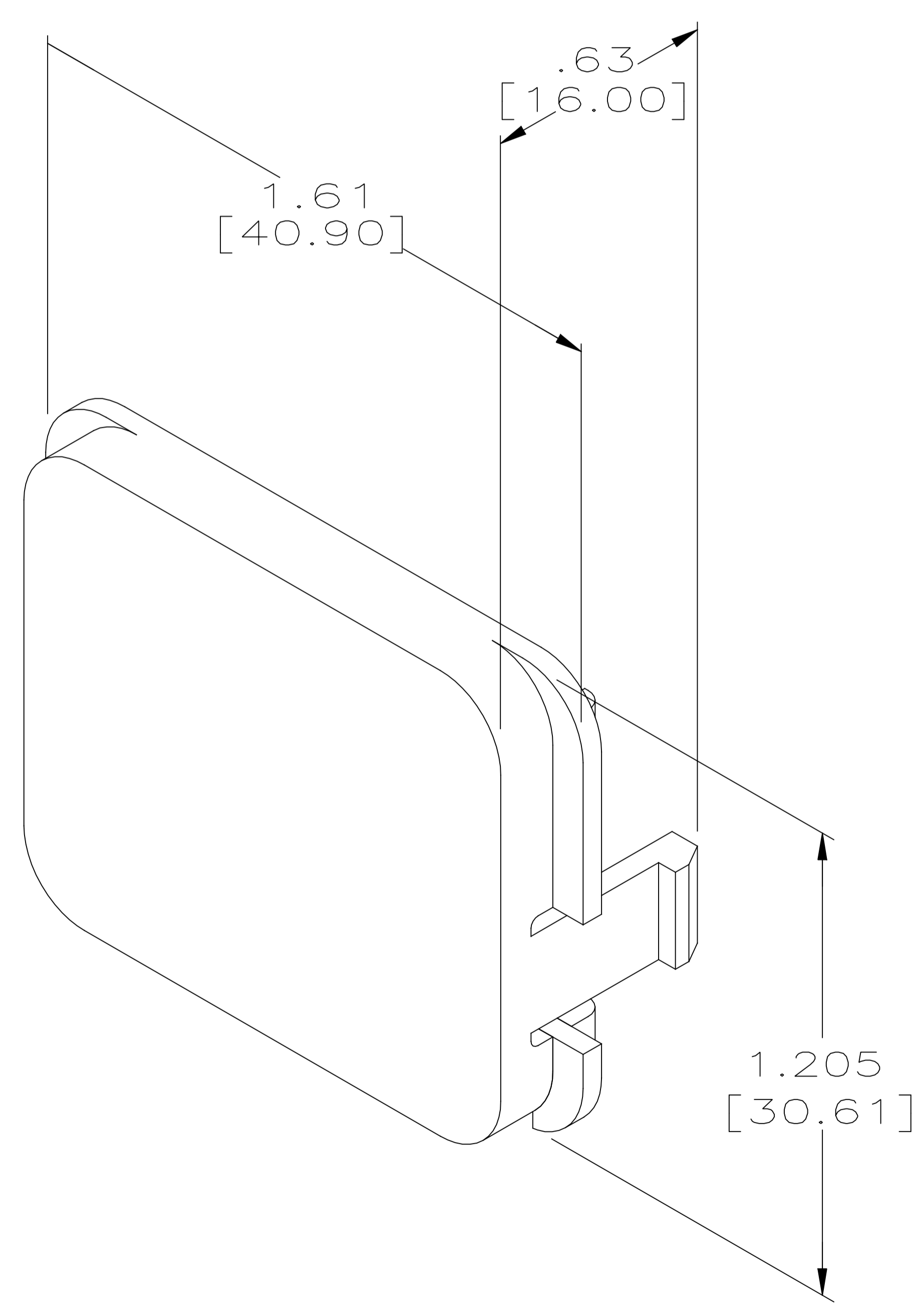


THIS DRAWING IS UNPUBLISHED. RELEASED FOR PUBLICATION - , - .

© 2016 Commscope, INC. Confidential NOTICE: These drawings and specifications are the proprietary property of COMMSCOPE, INC. and may be used only for the specific purpose authorized in writing by COMMSCOPE, INC.

LOC	DIST	REVISIONS					
		P	LTR	DESCRIPTION	DATE	DWN	APVD
HM	00		G	OBS -4; REV ECO-09-025607	24NOV09	LH	BM
			H	REV PER BNS_CD_BRAND	16JAN17	GG	DC



- ① DIMENSIONS ARE MAXIMUM.
- ② MATERIAL: ADAPTER- ABS MOLDING COMPOUND, SEE TABLE.
- 3. THIS INSERT IS DESIGNED TO MATE WITH AMP EDGE CONNECTOR KIT AND WALLBOX KITS.
- 4. DIMENSIONS IN BRACKETS [] ARE IN MILLIMETERS.
- 5. PACKAGED 100 INSERTS PER POLYBAG.

ELEC IVORY	1-555644-1
WHITE	555644-9
NEMA GRAY	555644-5
BLACK	555644-3
LIGHT ALMOND	555644-1
COLOR	

THIS DRAWING IS A CONTROLLED DOCUMENT.		DWN	R. NELSON	3-25-88	COMMSCOPE, INC.		
		CHK	A. CLARK	4-12-88			
		APVD	J. SCHLUNZ	4-21-88			
		NAME					
DIMENSIONS: INCHES		TOLERANCES UNLESS OTHERWISE SPECIFIED:		INSERT BLANK, AMP COMMUNICATION OUTLET			
		0 PLC ± - 1 PLC ± - 2 PLC ± - 3 PLC ± - 4 PLC ± - ANGLES ± -					
MATERIAL		FINISH		PRODUCT SPEC		RESTRICTED TO	
②		-		-		-	
CUSTOMER DRAWING				WEIGHT	-	SIZE	A3
				SCALE		2:1	SHEET
						1 OF 1	REV
						H	