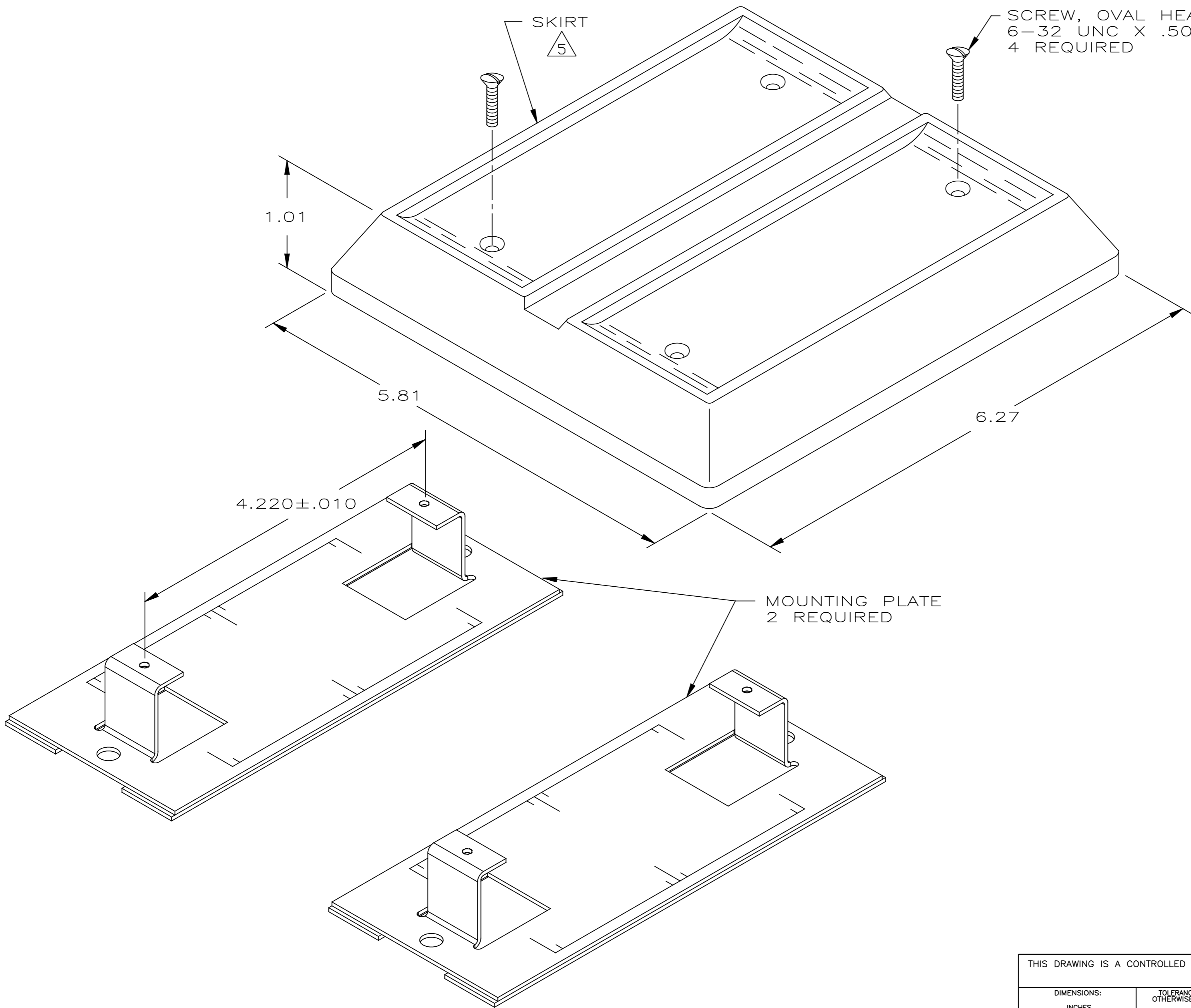


THIS DRAWING IS UNPUBLISHED. RELEASED FOR PUBLICATION  
 © 2016 Commscope, INC. Confidential NOTICE: These drawings and specifications are the proprietary property of COMMSCOPE, INC. and may be used only for the specific purpose authorized in writing by COMMSCOPE, INC.

REVISIONS					
P	LTR	DESCRIPTION	DATE	DWN	APVD
E1		REV; MCO-40026404MCO	20NOV2015	HG	RA
F		REV PER BNS_CD_BRAND	10MAR2017	GG	DC



1. ALL DIMENSIONS SHOWN ARE MAXIMUM UNLESS OTHERWISE SPECIFIED.
  - 2 MATERIAL:  
 SKIRT - FLAME RETARDANT PLASTIC.  
 HARDWARE - ZINC OR BLACK OXIDE PLATED CARBON STEEL.  
 MOUNTING PLATE - GALVANIZED CARBON STEEL.
  3. KIT SHIPPED UNASSEMBLED.
  4. APPLICATION: USE WITH UNDERCARPET COMMUNICATIONS CABLING SYSTEM. FLOOR FITTING ACCEPTS UP TO FOUR OF THE FOLLOWING (NOT INCLUDED):  
 -SL SERIES MODULAR JACK BRACKET 1499543-1, FOR USE WITH SL SERIES MODULAR JACKS OR SL SERIES MULTIMEDIA INSERTS.  
 -SL SERIES MODULAR JACK KIT 558054-1  
 -SL SERIES MODULAR JACK KIT 1933377-1
- 5 COVER HAS BREAKOUT TABS TO ACCOMMODATE MODULAR JACKS OR MULTIMEDIA INSERTS.

BLACK	BLACK	555287-1
SCREW COLOR	SKIRT COLOR	PART NO.

THIS DRAWING IS A CONTROLLED DOCUMENT.		DWN	L. HALL	04NOV03	<b>COMMSCOPE, INC.</b>  FLOOR FITTING KIT, COMMUNICATIONS, 4-PORT
DIMENSIONS: INCHES		CHK	G. BOWMAN	04NOV03	
TOLERANCES UNLESS OTHERWISE SPECIFIED:		APVD	G. BOWMAN	04NOV03	
0 PLC ± - 1 PLC ± - 2 PLC ± - 3 PLC ± - 4 PLC ± - ANGLES ± - FINISH -		PRODUCT SPEC		NAME	
MATERIAL		APPLICATION SPEC		SIZE	RESTRICTED TO
-		WEIGHT		A2	-
		CUSTOMER DRAWING		SCALE	NTS
		SHEET		1	of 1
		REV		F	

555287

A