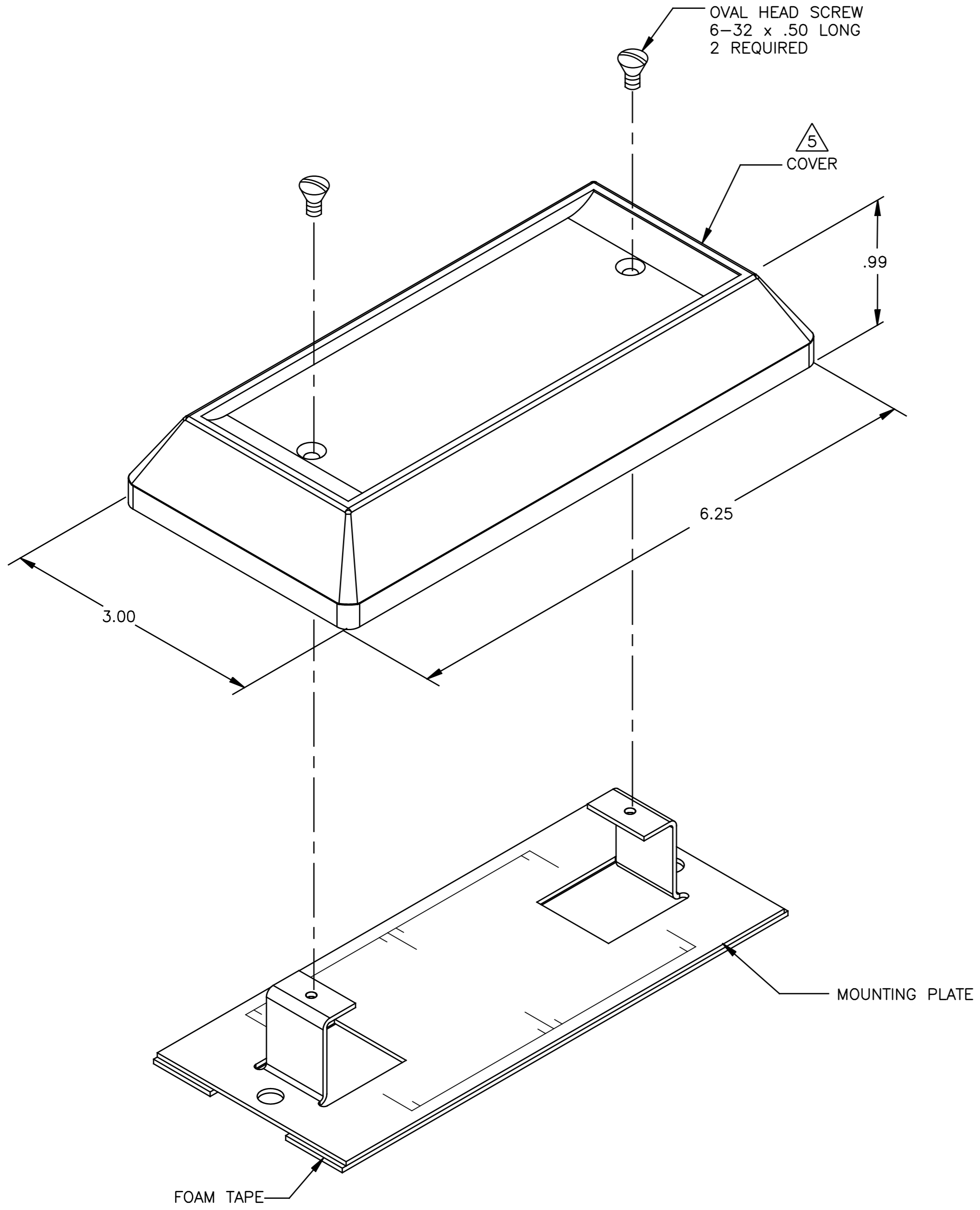


THIS DRAWING IS UNPUBLISHED. RELEASED FOR PUBLICATION
 © 2016 Connscope, INC. Confidential
 NOTICE: These drawings and specifications are the proprietary property of COMMSCOPE, INC. and may be used only for the specific purpose authorized in writing by COMMSCOPE, INC.

REVISIONS					
P	LTR	DESCRIPTION	DATE	DWN	APVD
C1		REV; MCO-40026404MCO	20NOV2015	HG	RA
D		REV PER BNS_CD_BRAND	10MAR2017	GG	DC



1. ALL DIMENSIONS SHOWN ARE FOR REFERENCE ONLY UNLESS OTHERWISE SPECIFIED.
2. MATERIAL : COVER – THERMOPLASTIC.
MOUNTING PLATE – GALVANIZED CARBON STEEL.
HARDWARE– ZINC PLATED STEEL.
3. THIS KIT SHIPPED NOT ASSEMBLED.
4. APPLICATION: USE WITH UNDERCARPET COMMUNICATIONS CABLING SYSTEM. FLOOR FITTING ACCEPTS UP TO FOUR OF THE FOLLOWING (NOT INCLUDED):
–SL SERIES MODULAR JACK BRACKET 1499543-1, FOR USE WITH SL SERIES MODULAR JACKS OR SL SERIES MULTIMEDIA INSERTS.
–SL SERIES MODULAR JACK KIT 558054-1
–SL SERIES MODULAR JACK KIT 1933377-1
5. COVER HAS BREAKOUT TABS TO ACCOMODATE MODULAR JACKS OR MULTIMEDIA INSERTS.

BLACK	BLACK	554206-1
SCREW COLOR	COVER COLOR	PART NUMBER

THIS DRAWING IS A CONTROLLED DOCUMENT.		DWN	9 JUN 83	COMMSCOPE, INC.		
		TH WOOTEN				
		CHK	23 JUN 83			
		MD FRIEL				
		APVD	30 JUN 83	NAME		
		G THRU		FLOOR FITTING KIT, COMMUNICATIONS, 2-PORT		
DIMENSIONS: INCHES		TOLERANCES UNLESS OTHERWISE SPECIFIED:		PRODUCT SPEC		
0 PLC		±	-	APPLICATION SPEC		
1 PLC		±	-	SIZE		
2 PLC		±	-	CAGE CODE		
3 PLC		±	-	DRAWING NO		
4 PLC		±	-	RESTRICTED TO		
ANGLES		±	-	A2		
FINISH		2		C=554206		
MATERIAL		2		SCALE 5:4		
				SHEET 1 of 1		
				REV D		
				CUSTOMER DRAWING		

554206

A