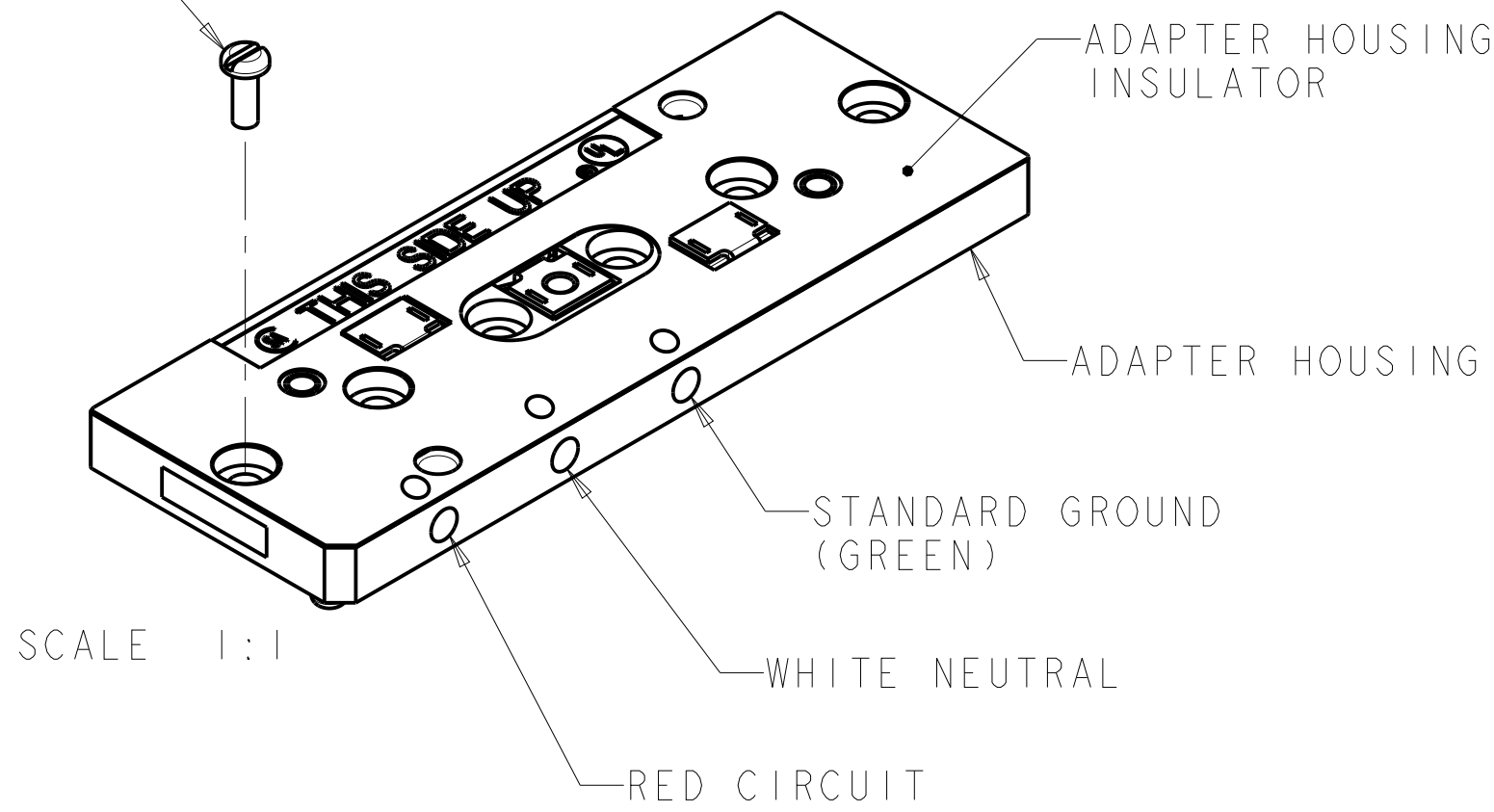


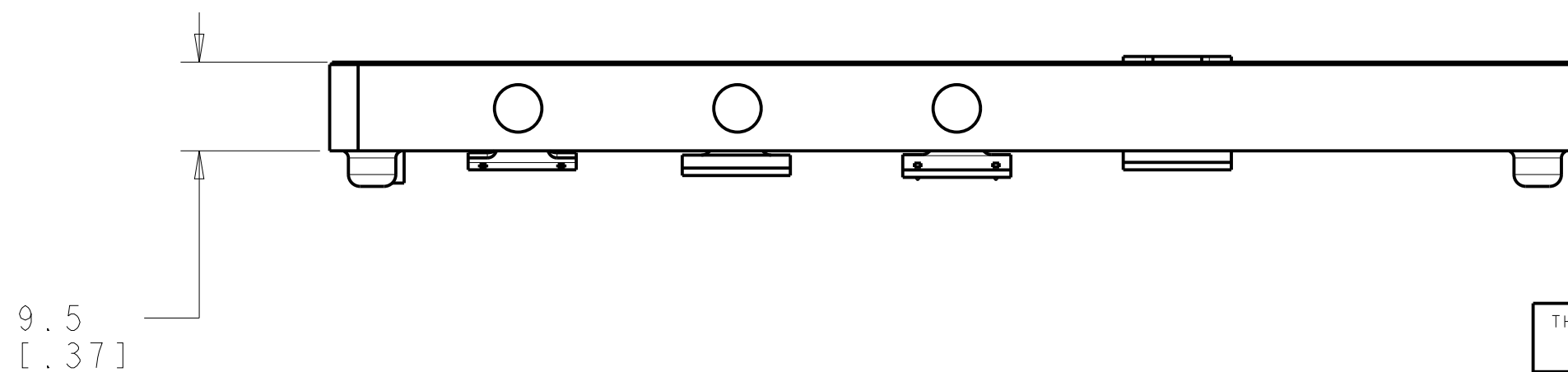
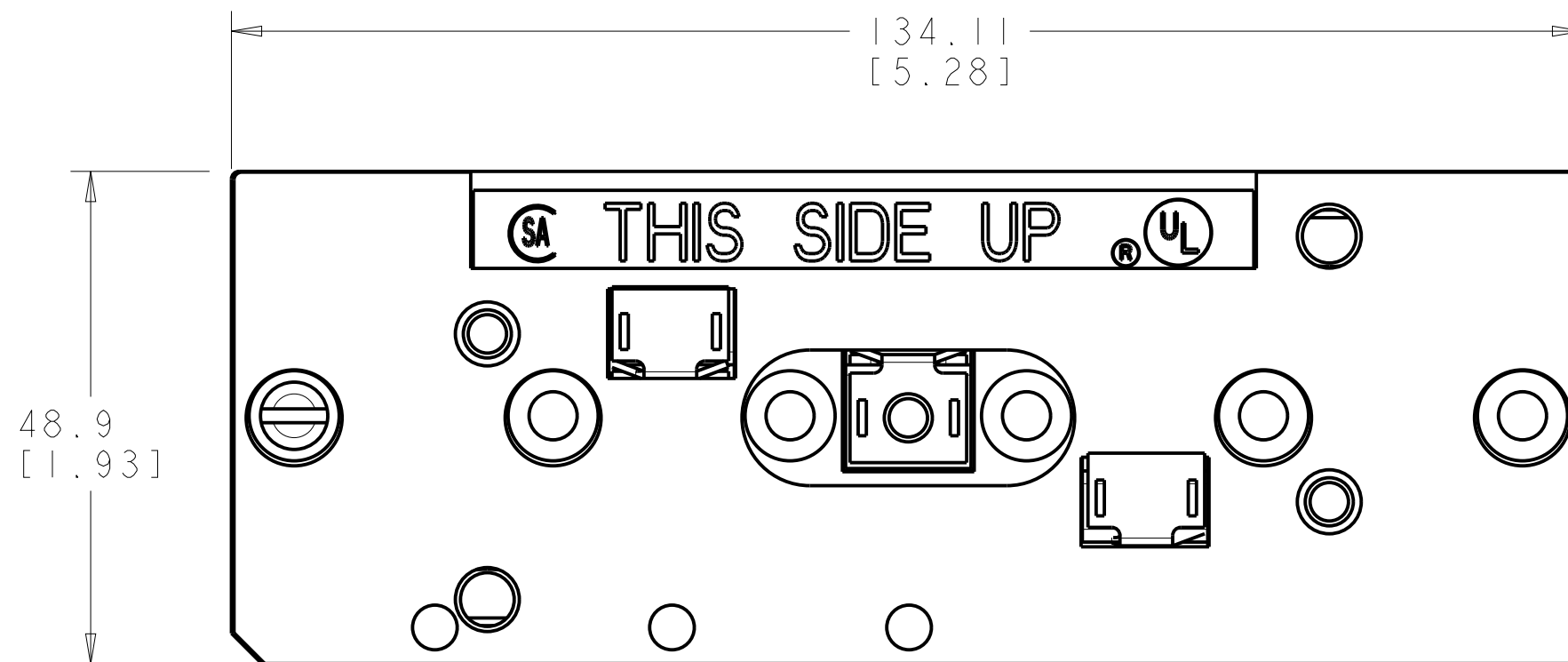
THIS DRAWING IS UNPUBLISHED. RELEASED FOR PUBLICATION 20
 © 2016 COMMSCOPE INC. CONFIDENTIAL NOTICE: THESE DRAWINGS AND SPECIFICATIONS ARE THE PROPRIETARY PROPERTY OF COMMSCOPE, INC. AND MAY BE USED ONLY FOR THE SPECIFIC PURPOSE AUTHORIZED IN WRITING BY COMMSCOPE, INC.

REVISIONS					
P	LTR	DESCRIPTION	DATE	DWN	APVD
E		REDRAWN; ECO-08-025554	30OCT2008	GG	SJ
F		REV PER ECN 8000018528	10JAN2017	GG	SA

SLOTTED PAN HEAD SCREW
6 REQUIRED



- 1. MATERIAL:
HOUSING - THERMOPLASTIC, BLACK.
INSULATOR - VULCANIZED FIBRE.
SCREW - ZINC PLATED CARBON STEEL.
- 2. ALL DIMENSIONS SHOWN ARE FOR REFERENCE ONLY UNLESS OTHERWISE SPECIFIED.
- 3. ALL DIMENSIONS SHOWN ARE NOMINAL.
- 4. APPLICATION:
COMMSCOPE UNDERCARPET POWER SYSTEM. USE WITH 5-CONDUCTOR DIRECT CONNECTING RECEPTACLE (DCR). SEE INSTRUCTION SHEET 408-3131.



554189-1
PART NUMBER

THIS DRAWING IS A CONTROLLED DOCUMENT.		DWN G. GARRETT 30OCT2008	COMMSCOPE, INC.	
DIMENSIONS: MM [INCHES]		CHK S. JONES 30OCT2008		
TOLERANCES UNLESS OTHERWISE SPECIFIED:		APVD S. JONES 30OCT2008	NAME ADAPTER HOUSING ASSEMBLY, 5 CONDUCTOR, RED CIRCUIT, DIRECT CONNECTING RECEPTACLE	
0 PLC ±	1 PLC ±	PRODUCT SPEC	SIZE	RESTRICTED TO
2 PLC ±	3 PLC ±	APPLICATION SPEC	A2	
4 PLC ±	ANGLES ±	WEIGHT	CAGE CODE	DRAWING NO
FINISH			A200779	G-554189
MATERIAL		CUSTOMER DRAWING	SCALE 3:2	SHEET 1 OF 1
REV 1		REV F		