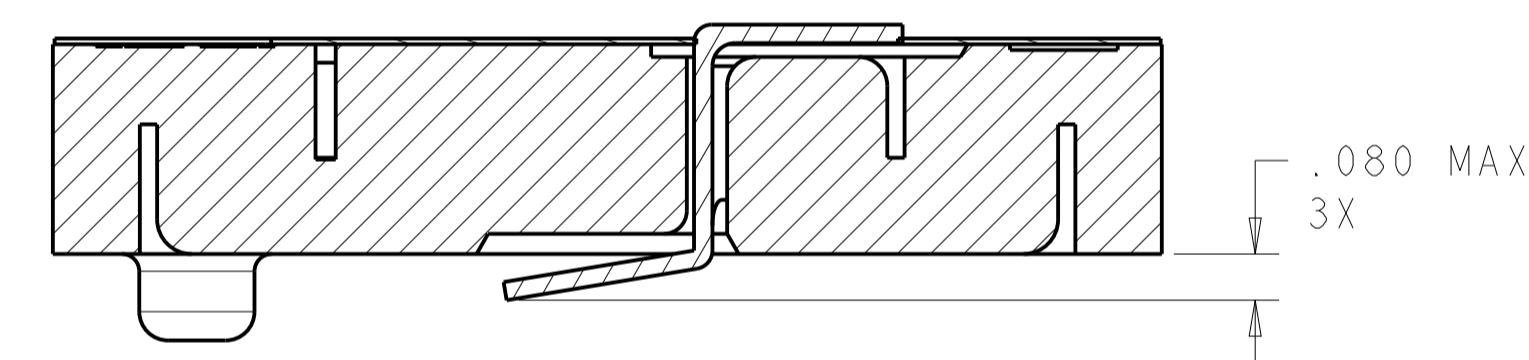


- △ STAMP Ø.20 COLOR DOT AS SPECIFIED ON HOUSING, ITEM 1, AND INSULATOR, ITEM 2. LOCATE IN LINE WITH TERMINALS AS SHOWN.
- △ REMOVE BACKING PAPER FROM INSULATOR, ITEM 2, PRIOR TO ASSEMBLY.
- △ PART NO, 554188, SHALL BE INK STAMPED WHITE, .12 HIGH AND LOCATED APPROXIMATELY AS SHOWN.
- △ MANUFACTURERS DATE CODE SHALL BE PER SPEC 115-6069, LOCATE APPROXIMATELY AS SHOWN ON EITHER SIDE.



SECTION A-A

| | | | |
|----|-------------|-----------------------------|---------|
| 6 | 7-5023715-0 | SCREW, PAN HEAD (8-32X.375) | 8 |
| 3 | 554446-1 | INSERT, BRASS (8-32) | 7 |
| 1 | 554158-1 | ADAPTER TERM, 5 CNDTC | 6 |
| 1 | 554159-1 | ADAPTER TERM, GROUND | 5 |
| 1 | 554156-1 | ADAPTER TERM, SPRING | 4 |
| | 554162-1 | ADAPTER TERM, BLUE PHASE | 3 |
| 1 | 553907-1 | INSULATOR, ADAPTER HOUSING | 2 |
| 1 | 554149-1 | HOUSING, ADAPTER | 1 |
| -1 | PART NO | DESCRIPTION | ITEM NO |

| | | | | | | | | | |
|--------------------|--|--|--|--|--|--------------------------|--|-----------------|--|
| DIMENSIONS: INCHES | | TOLERANCES UNLESS OTHERWISE SPECIFIED: | | DWN: G. GARRETT 29OCT2008 | | MATERIAL: - | | HEAT TREAT: - | |
| 0 PLC ± | | 1 PLC ± | | CHK: S. JONES 29OCT2008 | | APVD: S. JONES 29OCT2008 | | COMMSCOPE, INC. | |
| 2 PLC ± | | 3 PLC ± | | NAME: ADPTR HSG ASSY, 5 CNDTC, BLUE CIRCUIT, DCR | | SCALE: 3:1 | | SIZE: A1 | |
| 4 PLC ± | | ANGLE: - | | DATE: 29OCT2008 | | DRAWING NO: 554188 | | SHEET 1 OF 1 | |
| SURFACE TEXTURE: √ | | REVISION RECORD | | DATE | | DWN: G. GARRETT | | REV: M | |