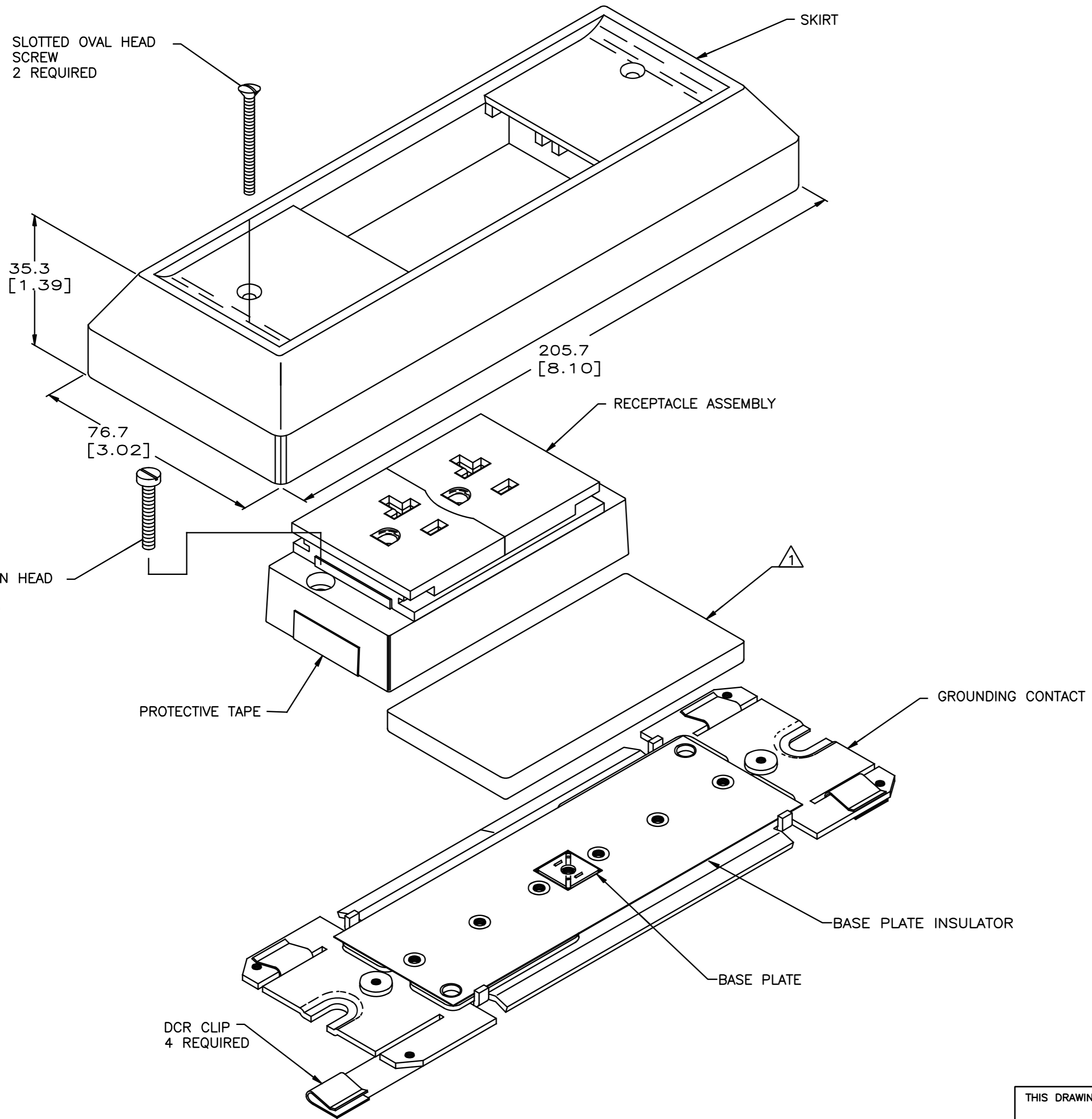


THIS DRAWING IS UNPUBLISHED. RELEASED FOR PUBLICATION

NOTES: These drawings and specifications are the proprietary property of COMMSCOPE, INC. and may be used only for the specific purpose authorized in writing by COMMSCOPE, INC.

© 2016 Commscope, Inc. Confidential

REVISIONS					
P	LTR	DESCRIPTION	DATE	DWN	APVD
	H1	REV; MCO-40026404MCO	19NOV2015	HG	RA
	J	REV PER BNS_CD_BRAND	10MAR2017	GG	DC



- ⚠ ONE ADAPTER HOUSING ASSEMBLY REQUIRED TO COMPLETE TERMINATION.
- ⚠ MATERIAL: SKIRT – ABS MOLDING COMPOUND. RECEPTACLE ASSEMBLY – SLIDING COVER, POLYCARBONATE MOLDING COMPOUND; BASE, PBT MOLDING COMPOUND. BASE PLATE – PREGALVANIZED STEEL. BASE PLATE INSULATOR – VULCANIZED FIBRE. HARDWARE – ZINC PLATED STEEL. DCR CLIP – STAINLESS STEEL. TERMINALS AND GROUNDING CONTACT – COPPER ALLOY.
- ⚠ ALL DIMENSIONS SHOWN ARE MAXIMUM UNLESS OTHERWISE SPECIFIED.
- 4. THIS KIT SHIPPED NOT ASSEMBLED.

BLACK	BLACK	554186-1
RECEPTACLE COVER COLOR	SKIRT COLOR	PART NO.

THIS DRAWING IS A CONTROLLED DOCUMENT.		DWN G. GARRETT 19MAR97	COMMSCOPE, INC.																													
		CHK G. GARRETT 19MAR97																														
		APVD J. KILPATRICK 19MAR97	NAME																													
		PRODUCT SPEC	DIRECT CONNECTING RECEPTACLE, 5 CONDUCTOR, DUPLEX, 15/20A																													
DIMENSIONS: INCHES		TOLERANCES UNLESS OTHERWISE SPECIFIED:	APPLICATION SPEC	RESTRICTED TO																												
<table border="0"> <tr><td>0 PLC</td><td>±</td><td>-</td><td>⚠</td></tr> <tr><td>1 PLC</td><td>±</td><td>-</td><td>⚠</td></tr> <tr><td>2 PLC</td><td>±</td><td>-</td><td>⚠</td></tr> <tr><td>3 PLC</td><td>±</td><td>-</td><td>⚠</td></tr> <tr><td>4 PLC</td><td>±</td><td>-</td><td>⚠</td></tr> <tr><td>ANGLES</td><td>±</td><td>-</td><td></td></tr> <tr><td>FINISH</td><td>±</td><td>-</td><td></td></tr> </table>		0 PLC	±	-	⚠	1 PLC	±	-	⚠	2 PLC	±	-	⚠	3 PLC	±	-	⚠	4 PLC	±	-	⚠	ANGLES	±	-		FINISH	±	-		114-6008	SIZE A2	CAGE CODE -
0 PLC	±	-	⚠																													
1 PLC	±	-	⚠																													
2 PLC	±	-	⚠																													
3 PLC	±	-	⚠																													
4 PLC	±	-	⚠																													
ANGLES	±	-																														
FINISH	±	-																														
MATERIAL		FINISH	DRAWING NO C=554186	SCALE 1:1																												
⚠		⚠	REVISIONS REV J	SHEET 1 of 1																												
CUSTOMER DRAWING		SCALE 1:1 SHEET 1 of 1 REV J																														

554186