

4

3

2

1

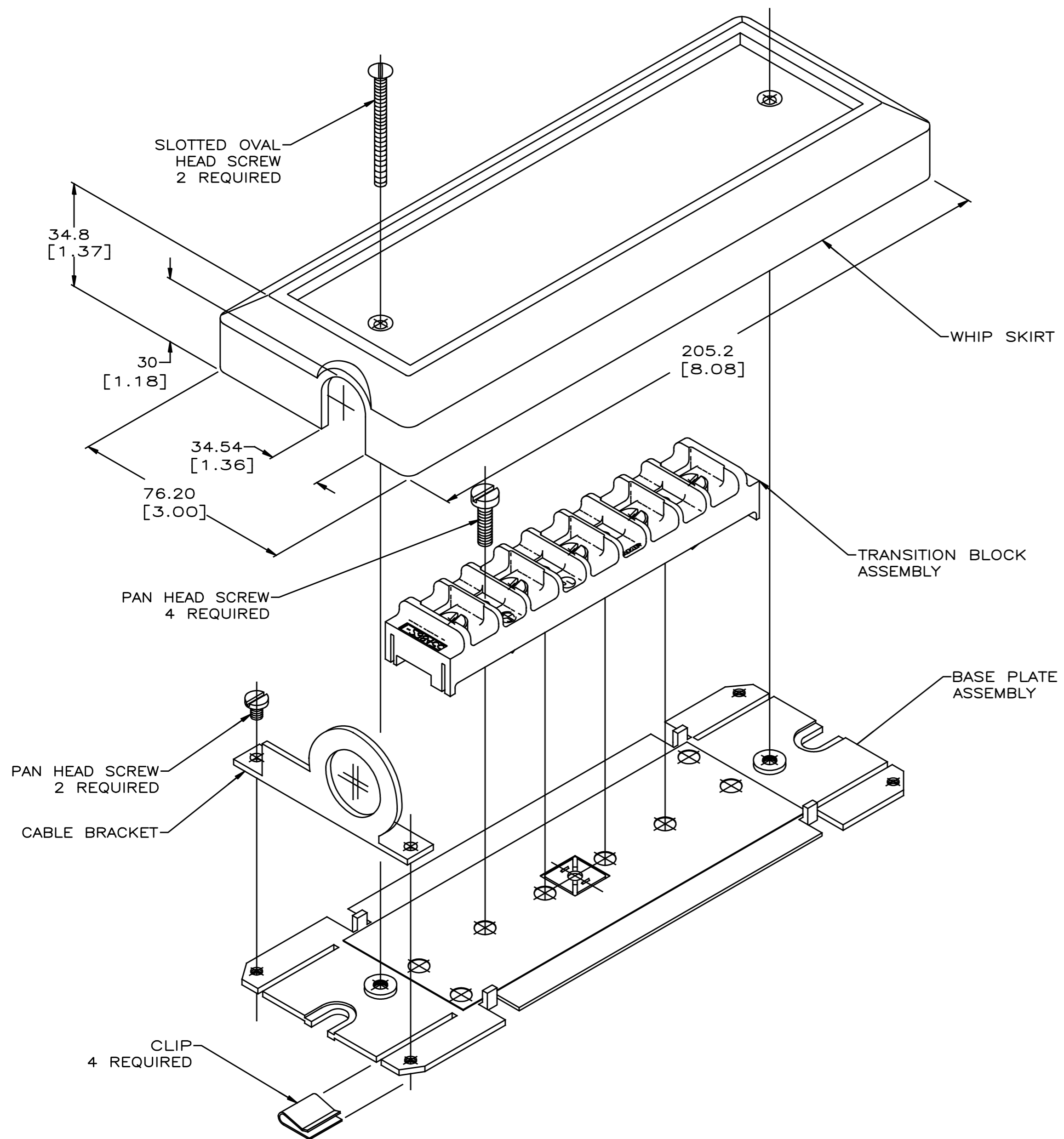
THIS DRAWING IS UNPUBLISHED. RELEASED FOR PUBLICATION

© 2016 Commscope, INC. Confidential NOTICE: These drawings and specifications are the proprietary property of COMMSCOPE, INC. and may be used only for the specific purpose authorized in writing by COMMSCOPE, INC.

REVISIONS					
P	LTR	DESCRIPTION	DATE	DWN	APVD
	L1	REV; MCO-40026404MCO	02OCT03	HG	RA
	M	REV PER BNS_CD_BRAND	10MAR17	GG	DC

D
C
B
A

D
C
B
A



- 1 MATERIAL: SKIRT AND TRANSITION BLOCK – THERMOPLASTIC.
BASE PLATE AND BRACKET – GALVANIZED STEEL.
HARDWARE – ZINC PLATED STEEL.
CLIP – STAINLESS STEEL.
- 2 ALL DIMENSIONS SHOWN ARE FOR REFERENCE ONLY UNLESS OTHERWISE SPECIFIED.

THIS DRAWING IS A CONTROLLED DOCUMENT.		DWN L. HALL	02OCT03	COMMSCOPE, INC.	
DIMENSIONS: INCHES		CHK G. BOWMAN	02OCT03		
TOLERANCES UNLESS OTHERWISE SPECIFIED:		APVD G. BOWMAN	02OCT03	NAME POWER WHIP KIT, 5 CONDUCTOR	
<ul style="list-style-type: none"> 0 PLC ± - 1 PLC ± - 2 PLC ± - 3 PLC ± - 4 PLC ± - ANGLES ± - FINISH - 		PRODUCT SPEC -	APPLICATION SPEC 408-3144	SIZE A2	RESTRICTED TO -
MATERIAL - 1		WEIGHT -	CAGE CODE -	DRAWING NO C=554181	SCALE 1:1
CUSTOMER DRAWING			SHEET 1 of 1	REV M	

554181